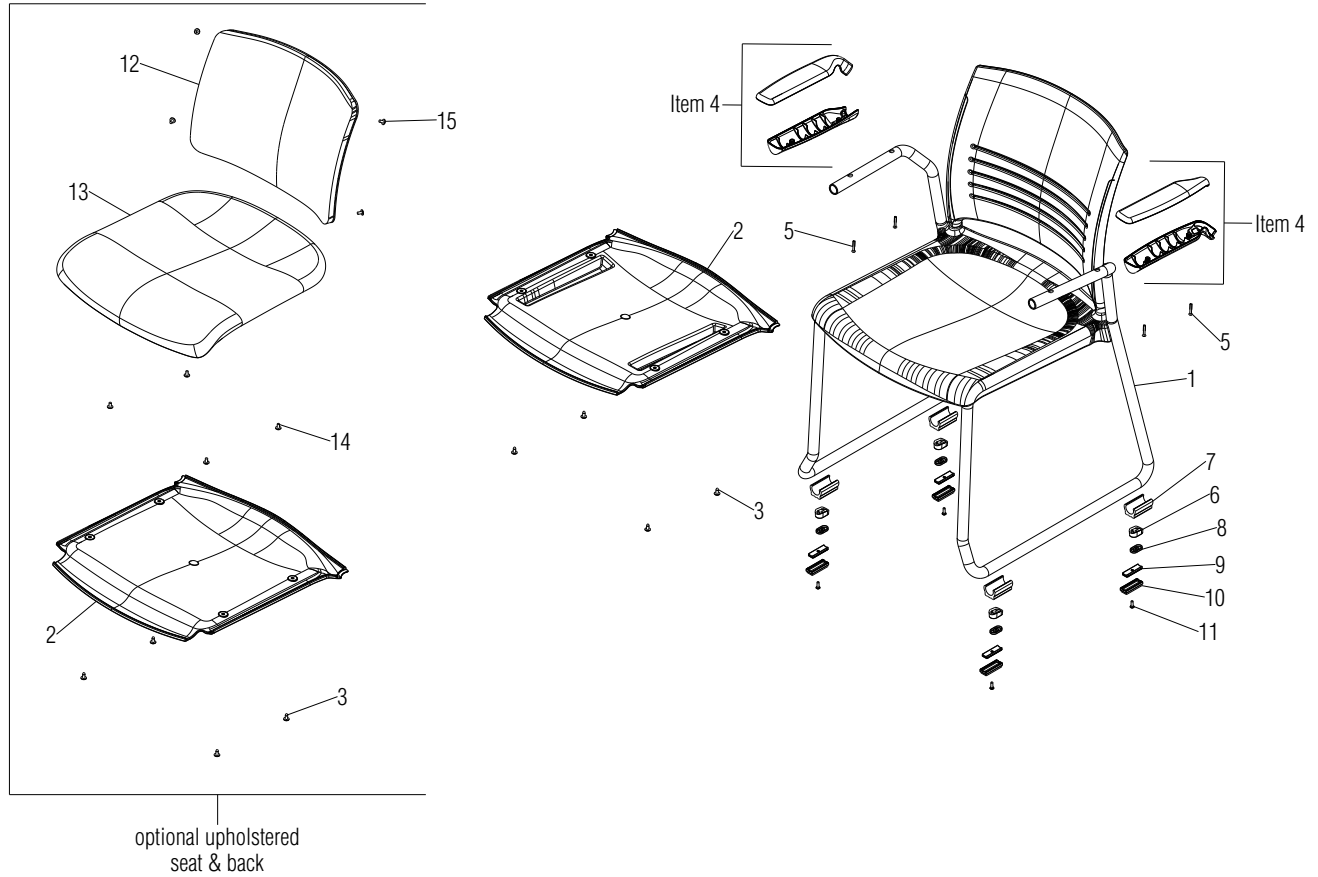


Parts Diagram

Strive® Seating
Sled Base Armchair

September 2022



.LXX = Select Laminate

Item 1 is a replacement chair frame that includes all parts (seat/back/frame are not servicable).

Items 6, 7, and 8 are used on chairs manufactured before 5/4/2022.

Item 6 glide 06.0028.BL.X requires Item 8 shoe PT.06.6034.X and Item 11 screw PC.12.0583.X for attachment.

Item 6 glide PT.06.6029.BLX requires Item 11 screw 12.4016.X for attachment.

Item 7 glide 10.0127.X requires Item 11 screw PC.12.0583.X for attachment.

Item 9 glide body uses Item 10 glide cap and requires Item 11 screw 12.4016.X for attachment.

Item 16 glide cap removal tool (not shown) is used to remove old glide caps for replacement of felt caps. See KI-RR-000030 for instructions.

Item	Part Number	Item Description	Req Qty	Item	Part Number	Item Description	Req Qty
1	SRFP	Replacement Chair Frame, Poly	1	9	46.4340.X	Glide Body, Sled Base Snap-Fit (see note)	4
	SRFU	Replacement Chair Frame, Upholstered Seat	1	10	46.4338.X	Glide Cap, Sled Base Snap-Fit Steel (see note)	4
	SRFB	Replacement Chair Frame, Upholstered Seat & Back	1		46.4337.X	Glide Cap, Sled Base Snap-Fit Poly (see note)	4
2	46.2240.BL.X	Shroud, Seat with Bumpers (poly chair)	1		46.4339.X	Glide Cap, Sled Base Snap-Fit Non-Skid (see note)	4
	46.2228.BL.X	Shroud, Seat (upholstered chair)	1		46.4331.X	Glide Cap, Sled Base Snap-Fit Felt (see note)	4
3	12.0011.X	Screw, M6 x 18mm PPH BosScrew	4	11	12.4016.X	Screw, #8 x 1/2" PPH Type 25 T/C ZC (used on Item 8)	4
4	STV.CA.XX.X	Arm Cap Set, Right & Left Hand	2		PC.12.0583.X	Screw, #8 x 1/2" PPH Type-B T/SZC (used on Items 5 & 6/7)	4
5	13.6022.X	Screw, #8 x 7/8" PH OVL HD T-AB T/SCZ	4	12	STRBC	Assembly, Upholstered Backrest Cushion	1
6	06.0028.BL.X	Glide, Stainless Steel (see notes)	4	13	STRRC	Assembly, Upholstered Seat Cushion	1
	PT.06.6029.BLX	Glide, Black Plastic (see notes)	4	14	12.0055.CZ.X	Screw, #10-16 x 1/2" Type AB T/F BLK ZC	4
7	10.0127.X	Glide, Non-Skid (see note)	4	15	12.0111.XX.X	Screw, #10-24 x 3/8" PTH M/S ZC x/ PATCH	4
8	PT.06.6034.X	Shoe, Stainless Steel Glide (see note)	4	16	10.0138.X	Removal Tool, Swivel Glide Cap (not shown) (see note)	1

