



STRIVE[®]
SEATING

PRICE LIST

EFFECTIVE FEBRUARY 2, 2024
800.424.2432

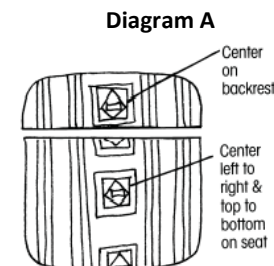
Ordering Customer's Own Material (C.O.M.) Upholstery	
Information	3
Strive® Stack Seating	
General Information	4
Product Color Options	10
Stack Chairs	11
Stack/Nesting	
Strive® Dolly	21
Strive® Stack Seating	
Cafe Stool	22
Strive® High Density	
General Information	23
Product Color Options	26
Stack Chair and Dolly	27
Stack Stools	28
Strive® Nesting	
General Information	29
Product Color Options	31
Chairs	32
Strive® Nesting Chairs	33
Strive® Tandem Seating	
General Information	34
Product Color Options	35
36	
Strive® Task Seating	
General Information	41
Product Color Options	45
Chairs	46
Stools	49



How to Specify

As a standard procedure, KI applies seating upholstery as swatched by the textile distributor. Reference distributor's website. Upholstery that is required to be applied differently than is swatched, will need a Product Modification Request written specifying the direction the upholstery is to be applied.

Seating upholstery requiring specific positioning of intricate patterns or patterns repeats on seats and backrests, will need a Product Modification Request written including a sketch noting the specific requirements, as in Diagram A.



When directional or patterned fabrics are used, they often require more yardage than solid colors.

C.O.M. must be supplied in continuous yardage.

C.O.M. yardage requirements accompanying products in the pricing section are for 10 chairs/seats or less, 54" wide nondirectional material. On larger orders, less material is required.

Leather hides must be a minimum of 50 square feet of usable material. The outer edges cannot be calculated as square feet or yardage. To determine square footage, multiply unit yardage by 18 square feet to obtain the total square footage required per unit.

For exact production yardage requirements, call 1-800-424-2432, ext. 2707.

Production

Customer's upholstery must be approved prior to acceptance for production.

After approval, a memo swatch of the C.O.M. from the textile distributor must accompany the order. KI assumes no responsibility for wear, defects, or performance of C.O.M. upholstery.

C.O.M. not received into the appropriate facility 3 weeks prior to acknowledged delivery date may go on hold. See KI C.O.M. Shipping Location listing for the correct facility address by product.

Testing

When KI requires testing, actual yardage to upholster one chair may be required. The C.O.M. Specialist will confirm model and fabric testing requirements when applicable.

Approved test samples will be applied to the order or will be held for 6 months. After 6 months, the sample will no longer be applied to your order. For all product testing, send fabric samples to the manufacturing facility. See KI C.O.M. Shipping Location listing for the correct facility address by product.

All C.O.M. must be labeled with the KI product order number and customer purchase order number.

Treated Materials

If C.O.M. requires processing such as a stain resistance treatment or acrylic backing, it may shrink. To prevent delays in delivery or back ordering due to shrinkage, please have your processor verify measurement after processing and assure adequate yardage shipped.

Split Orders

If a portion of the shipment which does not require C.O.M. application is to be processed and shipped early, KI will enter the order immediately at your request. These split shipments are subject to minimum order changes.

Excess Upholstery Material

KI will dispose of excess upholstery material at the time of shipment unless expressly requested to return it with the product shipment.

Cancelled or Changed Orders

KI assumes no responsibility for extra C.O.M. due to a change of upholstery or cancellation of an order. If it the customer's responsibility to arrange for return of the material.

Contact the C.O.M. Specialist at 1-800-424-2432, ext. 2707, with questions or to request a split order.

C.O.M. SHIPPING LOCATION

Architectural Walls	System 3000..... MN	Maestro Stack Chairs GB
Evoked..... MN	Universal Overheads..... MN	Medical & Laboratory Stools..... OM
Genius Walls..... MN	Wireworks MN	MyPlace Lounge Seating HN
	Unite..... MN	MyWay Seating..... HN
Casegoods		Oath Task Chairs and Stools..... GB
Aristotle Tackboards..... MN	Residence Hall Furniture	Opt4 GB
Likha Tackboards..... MN	RoomScope Furniture MN	Pilot Task Chairs..... OM
		Promenade Seating System BW
Classroom Furniture	Screens	Ruckus..... GB
Intellect Wave Chairs..... GB	All Terrain..... KP	Sela Lounge Seating HN
Learn2 GB	Connection Zone..... BW	Sift Task Chairs GB
Ruckus..... GB	True/Volition KP	Signia Task Chairs and Stools OM
	Genesis..... KP	Soltice Metal Collection..... HN
Desking	Tattoo..... MN	Soltice Multiple, Healthcare & Guest .HN
700 Series Desking KP	Universal..... BW	Soltice II Healthcare Seating..... HN
Balance Overheads MN		Sonrisa HN
Genesis Desking..... MN	Seating	Strive Multiple, Stack & Task GB
True Desking KP	400 Series Folding Chairs..... BW	Sway BW
Universal Overheads..... MN	600 Series Folding Chairs..... BW	Tattoo..... HN
WorkZone Desking MN	600 Series Stools..... BW	Torsion-on-the-Go! Nesting Chairs GB
	Affina Collection..... HN	Torsion Air Stack and Task Seating GB
Files & Storage	Altus Task Chairs..... GB	Zoetry HN
700 Series Pedestal Cushion GB	Apply Stack Chairs GB	
Connection Zone Pads BW	Calida Lounge Seating HN	
U-Series Pedestal Cushion..... GB	Diem Task Chairs..... OM	
Tattoo..... BW	Doni Collection..... GB	
	Gladly Lounge Seating VQ	
Fixed Seating	Grazie Seating..... GB	
Concerto Auditorium Seating BW	Hub Modular Lounge Seating HN	
Single Pedestal Seating GB	Impress Task Chairs..... OM	
Jury Base Seating..... GB	Impress Ultra Task Chairs OM	
Lancaster Auditorium Seating BW	Jessa Lounge Seating..... HN	
Sequence Seating..... GB	Jubilee Lounge Seating..... VQ	
University Seating..... GB	Katera Guest Chair..... GB	
	Kurv Benches..... HN	
Panel Systems	LaResta Day Beds HN	
All Terrain..... KP	LimeLite..... GB	
Balance Overheads MN	Lyra Lounge Seating..... HN	

KI C.O.M. Manufacturing Site Addresses:

BW

KI Bonduel
Attn: COM Storage
204 West South St.
Bonduel, WI 54107

HN

KI High Point
Attn: COM Storage
217 Feld Avenue
High Point, NC 27263

MN

KI Manitowoc
Attn: COM Storage
1400 S. 41st St.
Manitowoc, WI 54220

VQ

KI
Attn: COM Fabrics
6892 Marlin Circle
La Palma, CA 90623

GB

KI Green Bay
Attn: COM Storage
1687 Westminster Drive - Gate 3
Green Bay, WI 54302

KP

KI Pembroke
Attn: COM Storage
1000 Olympic Dr.
Pembroke, Ontario K8A6X7

OM

KI
Attn: COM Storage
1110 S. Mildred Ave.
Ontario, CA 91761

Strive® Stack Seating

General Information



Strive® Stack Seating

General Information



Armless Four-Leg Chair (SLNAU)



Four-Leg Cantilever Arm Chair (SLCAP)



Four-Leg Loop Arm Chair (SLLAU)

Features			
Stackable	•	•	•
Poly, upholstered seat, or upholstered seat/back	•	•	•
Flex back	•	•	•
General Dimensions			
Seat width	18"	18"	18"
Seat depth	18"	18"	18"
Seat height (upholstered add 1")	18"	18"	18"
Overall Dimensions			
Width	20-3/4"	25"	25"
Depth	21-3/4"	21-3/4"	21-3/4"
Height	32-1/2"	32-1/2"	32-1/2"
Arms to floor		26-1/4"	26-1/4"
Stacking on Dolly			
Overall width	24"	25"	25"
Overall depth - poly	40"	40"	40"
Quantity/height - poly	15 Chairs/61" High	15 Chairs/62" High	15 Chairs/63" High
Overall depth - upholstered	45"	45"	45"
Quantity/height - upholstered	8 Chairs/50" High	8 Chairs/51" High	8 Chairs/51" High
Stacking on Floor			
Width	20-3/4"	25"	25"
Depth	27-1/2"	27-1/2"	27-1/2"
Quantity/height	4 Chairs/39" High	4 Chairs/39" High	4 Chairs/39" High



Armless Four-Leg Chair with Casters (SLNAPC)



Four-Leg Cantilever Arm Chair with Casters (SLCAUC)



Four-Leg Loop Arm Chair with Casters (SLLAUC)



Armless Sled Base Chair (SSNAP)



Sled Base Cantilever Arm Chair (SSCAU)

Features					
Stackable	•	•	•	•	•
Poly, upholstered seat, or upholstered seat/back	•	•	•	•	•
Flex back	•	•	•	•	•
General Dimensions					
Seat width	18"	18"	18"	18"	18"
Seat depth	18"	18"	18"	18"	18"
Seat height (upholstered add 1")	18-1/4"	18-1/4"	18-1/4"	18-1/4"	18-1/4"
Tablet to chair back clearance					
Overall Dimensions					
Width	21-1/4"	25"	25"	20-3/4"	25"
Depth	22-1/2"	22-1/2"	22-1/2"	21-3/4"	21-3/4"
Height	32-1/2"	32-1/2"	32-1/2"	32-1/2"	32-1/2"
Arms to floor		26-1/2"	26-1/2"		26-1/2"
Stacking on Dolly					
Width				24"	25"
Depth - poly				48"	48"
Quantity/height - poly				15 Chairs/64" High	15 Chairs/64" High
Depth - upholstered				48"	48"
Quantity/height - upholstered				8 Chairs/50" High	8 Chairs/50" High
Stacking on Floor					
Width	20-3/4"	25"	25"	20-3/4"	25"
Depth	27-1/2"	27-1/2"	27-1/2"	27-1/2"	27-1/2"
Quantity/height	4 Chairs/39" High	4 Chairs/39" High	4 Chairs/39" High	4 Chairs/39" High	4 Chairs/39" High

INFORMATION

C.O.M. Testing and Production Requirements

Not all materials are suitable for upholstering this product. A 1 yd. x 54" sample must be submitted and approved prior to acceptance of an order. If the fabric is directional in pattern or weave, the direction must be indicated on the submitted sample, and additional yardage may be requested.

Test samples must be sent to:

KI
Attn: C.O.M. Specialist
1687 Westminster Drive - Gate 3
Green Bay, WI 54302

Fabric Disclaimer

Fabric will be applied as swatched by the fabric manufacturer. Fabric that is required to be applied differently than is swatched will need a Modified Product Request written specifying the direction the fabric is to be applied.

Design

Designed by Giancarlo Piretti and manufactured in the USA by Krueger International, Inc. under license from Pro-Cord S.p.A

KI Color Match Program

KI offers the additional option of color matching paint, polypropylene, or wood stain through Product Modification Requests. Contact Customer Service for details.

Whatever you imagine, whatever you require, KI's Color Match program lets you pick your color!

[Color Match Process - Poly Seating Information can be found here.](#)

Stacking Vinyl, Polyurethane, and Imitation Leather Upholstered Chairs

If stacking frequently and for long periods of time, it is recommended that upholstery other than vinyl, polyurethane or imitation leather be used to avoid impressions in the seat cushion. KI does not warrant the effects of stacking on stock or COM vinyl, polyurethane or imitation leather upholstery.

INFORMATION

Warranty

Refer to KI Terms & Conditions document or visit ki.com

Strive® Stack Seating

General Information



Strive® Stack Seating

General Information



**Armless Wallsaver
Four-Leg Chair
(SLNAU)**



**Four-Leg Wallsaver
Cantilever Arm Chair
(SLCAP)**



**Four-Leg Wallsaver
Loop Arm Chair
(SLLAU)**

Features			
Stackable	•	•	•
Poly, upholstered seat, or upholstered seat/back	•	•	•
Flex back	•	•	•
General Dimensions			
Seat width	18"	18"	18"
Seat depth	18"	18"	18"
Seat height (upholstered add 1")	17-1/2"	17-1/2"	17-1/2"
Overall Dimensions			
Width	20-3/4"	25"	25"
Depth	22-3/4"	22-3/4"	22-3/4"
Height	33"	33"	33"
Arms to floor		26-1/4"	26-1/4"
Stacking on Floor			
Width	20-3/4"	25"	25"
Depth	28-1/2"	28-1/2"	28-1/2"
Quantity/height	4 Chairs/39" High	4 Chairs/39" High	4 Chairs/39" High



**Four-Leg Armless Cafe Stool -
24" or 30" Seat Height
(SLSNAU)**



**Four-Leg Loop Arm Cafe Stool -
24" or 30" Seat Height
(SLSLAP)**



**Four-Leg Cantilever Arm Cafe Stool -
24" or 30" Seat Height
(SLSCAUB)**



**Transport Dolly
(SCDA.BL)**

Features				
Stackable	•	•	•	
Poly, upholstered seat, or upholstered seat/back	•	•	•	
Flex back	•	•	•	
General Dimensions				
Seat width	18"	18"	18"	
Seat depth	18"	18"	18"	
Seat height (upholstered add 1")	24" / 30"	24" / 30"	24" / 30"	
Overall Dimensions				
Width	25"	25"	25"	24"
Depth	23-1/2" / 25"	23-1/2" / 25"	23-1/2" / 25"	29"
Height	39-1/4" / 45-1/4"	39-1/4" / 45-1/4"	39-1/4" / 45-1/4"	16-1/2"
Arms to floor	32-1/2" / 38-1/2"	32-1/2" / 38-1/2"	32-1/2" / 38-1/2"	
Stacking on Floor				
Width	25-7/8"	25-7/8"	25-7/8"	
Depth	28"	28"	28"	
Quantity/height	4 Chairs/48" or 54" High	4 Chairs/48" or 54" High	4 Chairs/48" or 54" High	

INFORMATION

C.O.M. Testing and Production Requirements

Not all materials are suitable for upholstering this product. A 1 yd. x 54" sample must be submitted and approved prior to acceptance of an order. If the fabric is directional in pattern or weave, the direction must be indicated on the submitted sample, and additional yardage may be requested. Test samples must be sent to:

KI
Attn: C.O.M. Specialist
1687 Westminster Drive - Gate 3
Green Bay, WI 54302

Fabric Disclaimer

Fabric will be applied as swatched by the fabric manufacturer. Fabric that is required to be applied differently than is swatched will need a Modified Product Request written specifying the direction the fabric is to be applied.

Design

Designed by Giancarlo Piretti and manufactured in the USA by Krueger International, Inc. under license from Pro-Cord S.p.A

KI Color Match Program

KI offers the additional option of color matching paint, polypropylene, or wood stain through Product Modification Requests. Contact Customer Service for details.

Whatever you imagine, whatever you require, KI's Color Match program lets you pick your color!

[Color Match Process - Poly Seating Information can be found here.](#)

Stacking Vinyl, Polyurethane, and Imitation Leather Upholstered Chairs

If stacking frequently and for long periods of time, it is recommended that upholstery other than vinyl, polyurethane or imitation leather be used to avoid impressions in the seat cushion. KI does not warrant the effects of stacking on stock or COM vinyl, polyurethane or imitation leather upholstery.

INFORMATION

Warranty

Refer to KI Terms & Conditions document or visit ki.com

Strive® Stack Seating

General Information



Strive® Stack Seating

General Information



Four-Leg Tablet Arm Chair
(SLTAPRH)



Four-Leg Oversize Tablet Arm Chair
(SLOVTAURH)



Sled Base Tablet Arm Chair
(SSTAPRH)



Sled Base Oversize Tablet Arm Chair
(SLOVTAPRH)



Four-Leg ChangeUp Tablet Arm Chair
with Glides



Four-Leg ChangeUp Tablet Arm Chair
with Casters



Sled Base ChangeUp Tablet Arm Chair

Features				
Stackable				
Poly, upholstered seat, or upholstered seat/back	•	•	•	•
Flex back	•	•	•	•
General Dimensions				
Seat width	18"	18"	18"	18"
Seat depth	18"	18"	18"	18"
Seat height (upholstered add 1")	18"	18"	18"	18"
Tablet to chair back clearance	14"	14"	14"	14"
Overall Dimensions				
Width (Use Position)	24"	24"	24"	24"
Depth (Use Position)	27-3/4"	31"	27-3/4"	31"
Height	33"	33"	33-1/4"	33-1/4"
Arms to floor	28-1/2"	28-1/2"	28-1/2"	28-1/2"

Features			
Stackable			
Poly, upholstered seat, or upholstered seat/back	•	•	•
Flex back			
General Dimensions			
Seat width	18"	18"	18"
Seat depth	18"	18"	18"
Seat height (upholstered add 1")	18"	18"	18"
Tablet to chair back clearance	16-1/4"	16-1/4"	16-1/4"
Overall Dimensions			
Width (Use Position)	26-1/2"	26-1/2"	26"
Depth (Use Position)	28" - 33-1/2"	28" - 33-1/2"	28" - 33-1/2"
Height	33"	33-1/4"	33-1/4"
Arms to floor	27-3/4"	27-3/4"	27-3/4"

INFORMATION

C.O.M. Testing and Production Requirements

Not all materials are suitable for upholstering this product. A 1 yd. x 54" sample must be submitted and approved prior to acceptance of an order. If the fabric is directional in pattern or weave, the direction must be indicated on the submitted sample, and additional yardage may be requested. Test samples must be sent to:

KI
Attn: C.O.M. Specialist
1687 Westminster Drive - Gate 3
Green Bay, WI 54302

Fabric Disclaimer

Fabric will be applied as swatched by the fabric manufacturer. Fabric that is required to be applied differently than is swatched will need a Modified Product Request written specifying the direction the fabric is to be applied.

Design

Designed by Giancarlo Piretti and manufactured in the USA by Krueger International, Inc. under license from Pro-Cord S.p.A

KI Color Match Program

KI offers the additional option of color matching paint, polypropylene, or wood stain through Product Modification Requests. Contact Customer Service for details.

Whatever you imagine, whatever you require, KI's Color Match program lets you pick your color!

[Color Match Process - Poly Seating Information can be found here.](#)

Stacking Vinyl, Polyurethane, and Imitation Leather Upholstered Chairs

If stacking frequently and for long periods of time, it is recommended that upholstery other than vinyl, polyurethane or imitation leather be used to avoid impressions in the seat cushion. KI does not warrant the effects of stacking on stock or COM vinyl, polyurethane or imitation leather upholstery.

INFORMATION

Warranty

Refer to KI Terms & Conditions document or visit ki.com



TECHNICAL SPECIFICATIONS

Backrest

Injection-molded polypropylene with integral steel cantilever springs. The combination of the slotted polypropylene back and the spring steel provides a supportive flexing back. Springs are nominal 4.5 mm diameter chrome silicon valve spring wire.

Seat and Shroud

Injection-molded polypropylene.

Optional Upholstered Seat

Molded urethane foam is attached to an injection-molded polypropylene seat board, then upholstered using a draw-string process. The assembled seat pad is attached to the seat by means of hidden fasteners. Note: upholstered seat is required with translucent poly backs.

Optional Upholstered Back

A 1/2" thick urethane foam is attached to an injection-molded polypropylene back board, then upholstered using a draw-string process. The assembled back pad is attached to the back by means of fasteners which are exposed and are color matched to the polypropylene.

Frames

Legs are 7/8" O.D. by 13-gauge tubular steel. Cross members are 1" O.D. by 14-gauge tubular steel and 7/16" diameter solid steel. All joints are welded. Frames are available in 4-leg or sled base configurations. Standard 4-leg rear legs angle 14° from vertical. Wallsaver rear legs angle 23° from vertical.

Frame Finishes

Frames are finished in either baked-on electrostatically-applied 30-degree gloss epoxy powder-coat paint, or bright nickel-chrome plating.

Arms

Optional cantilever arms or loop arms are available. When equipped with arms, the supporting structure is a continuation of the rear leg finished to match the frame color. The armcaps are injection-molded glass filled polypropylene matching the frame finish (when frame finish is Chrome, hammertones, or Starlight Silver metallic, armcaps match the seat and back color; when back is Diamond translucent, armcaps are Light Tone; when back is Pewter translucent, armcaps are Flannel; when back is Bronze translucent, armcaps are Chocolate). The armcaps are attached to the steel structure by means of screws.

Glides

Upper and lower ends of leg tubes are capped with polypropylene end caps matching leg color (chrome frames and hammertone frames match the seat and back color). Three optional glide types are available for leg chairs: swivel poly/nylon, swivel steel and swivel felt glides. The swivel function allows the bottom of the glide to correctly match un-even floor conditions, resulting in less wear. Poly/nylon and felt glides are interchangeable and have easy-on/easy-off replaceable glide caps, which makes field replacement easy and efficient. Swivel poly glides are available in Stone color only. Optional glides for the sled base are co-extruded to provide a softer (non-skid) surface to protect the floor, but do not glide. Sled base chairs are also available with black nylon (plastic) glides and stainless steel glides.

Casters

4-leg chairs may be ordered with carpet casters instead of glides (does not apply to café stools). Casters are double-wheel (60 mm) high-impact thermoplastic and are available in black only.

Tablet Arm

Tablet support loop is a continuation of the rear leg and is available in left- or right-handed models. A formed steel hinge is welded to the top of the support structure, and secured with screws to the underside of the writing surface. Writing surface is 9 1/2" x 20 3/4" x 12 1/2" plywood core of 5/8" thick, 1 1-ply hardwood, surfaced with .030" high-pressure laminate top and plain backer undersurface. Edges are lacquered and sealed.

4-Leg Café Stool

4-leg models on glides are available in 24" and 30" seat heights. Stool-height units are equipped with a reinforcing foot ring made of a 1/2" diameter wire ring, which is open in the back to allow stacking of armless and cantilever arm stools.

Transport Dolly

Frame construction is welded tubular steel with a black powder-coated finish and 5" wheels (two swivel and two fixed). The dolly fits 4-leg or sled base chairs and has a capacity of fifteen poly chairs or eight upholstered chairs.

ChangeUp™ Tablet Arm

ChangeUp tablet support is integral to the chair frame and consists of a 7/8" diameter solid steel rod welded to the front and rear support tubes. A three-piece molded plastic armrest is included and attached to the chair frame using a #10 x 2 1/2" Phillips pan head tapping screw.

The tablet mechanism consists a die-cast aluminum housing, upper and lower plastic bearings, and 1 1-gauge steel clamp and tablet board support plates. The tablet mechanism is clamped onto the chair frame over two plastic bushing halves and a 5/16" diameter by 1 3/4" hardened steel pin with a die-cast aluminum cap secured with two 1/4-20 x 3/4" button socket head cap screws. The pin creates a solid 90° up/down pivot stop and the bushings provide a smooth, quiet operation. In the use position, the tablet mechanism rotates outward from the chair back an additional 20° and permits approximately 3 1/2" of adjustment for ingress/egress without stowing the tablet.

The tablet worksurface is 21" wide by 13 1/2" deep (235 square inches) is secured to the tablet board support plate with twelve #12 x 5/8" Phillips flat head tapping screws. The tablet board is made of 18 mm Baltic Birch plywood with .040" high-pressure laminate top surface and .02" thick phenolic backer surface for an overall board thickness of approximately 3/4". Edges are lacquered with a clear finish and sealed. The factory installed tablet assembly is not field installable and may not be removed.

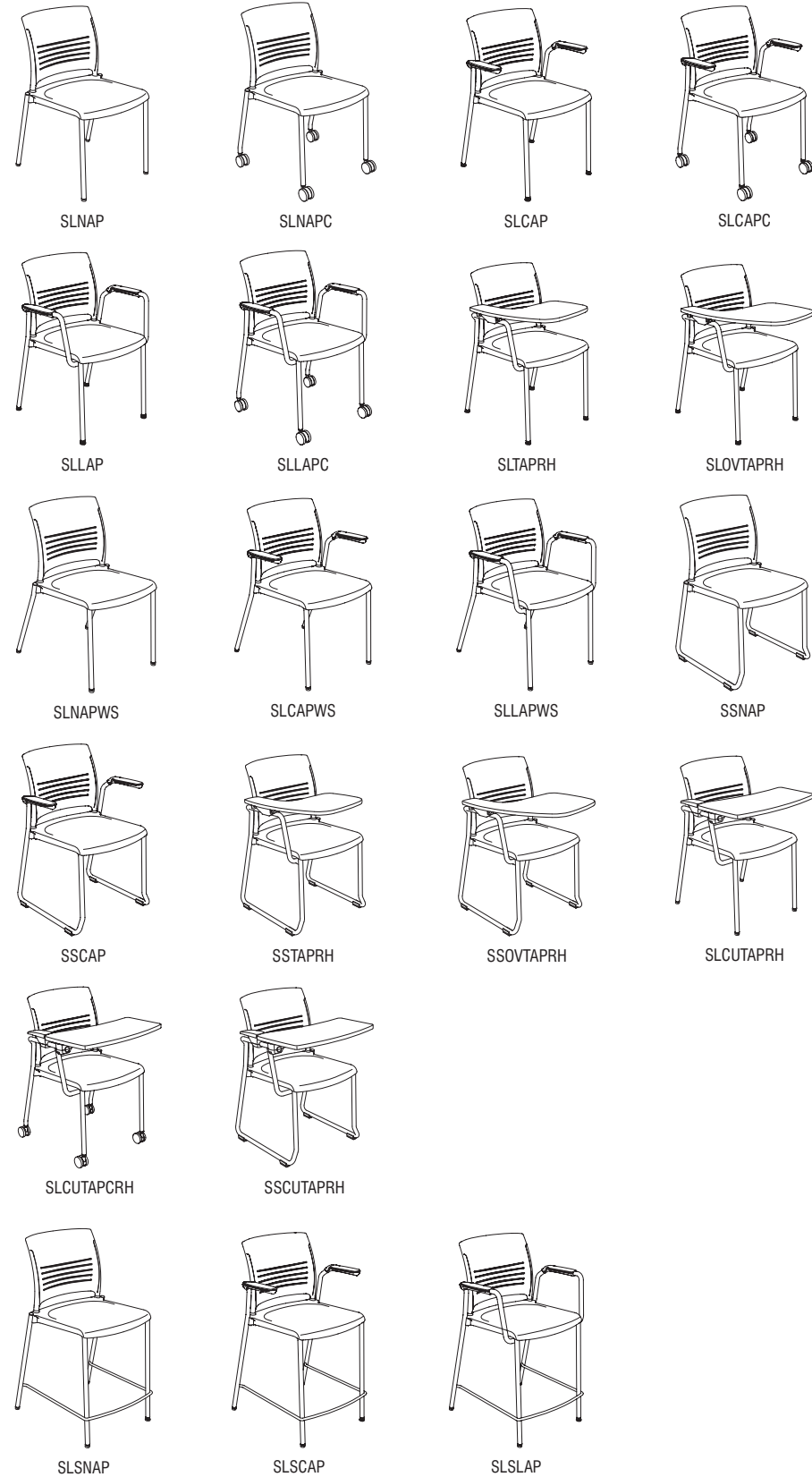
Compliance

Support frame, mechanism and worksurface passes KI's internal testing for 250-pound weight capacity.



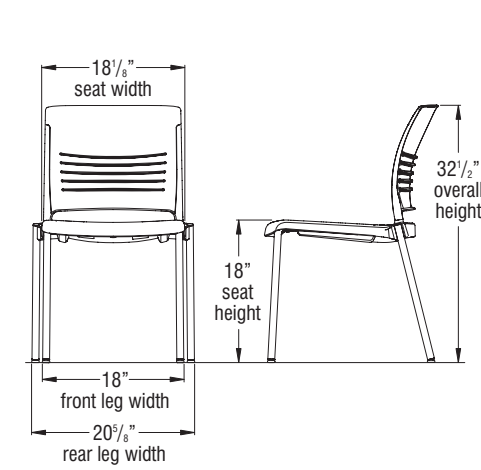
STATEMENT OF LINE

All models are available in polypropylene seat/backrest, upholstered seat/ polypropylene backrest, or upholstered seat/backrest.

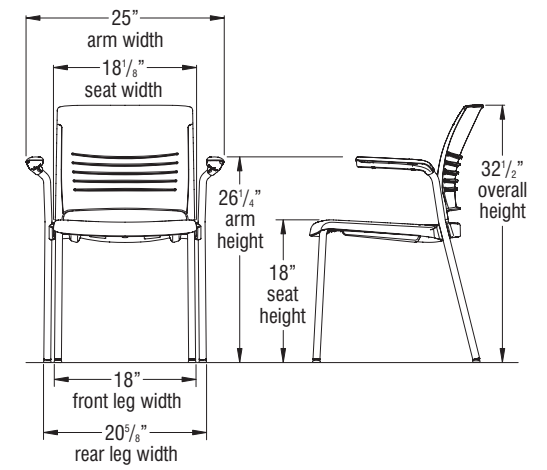


DIMENSIONS

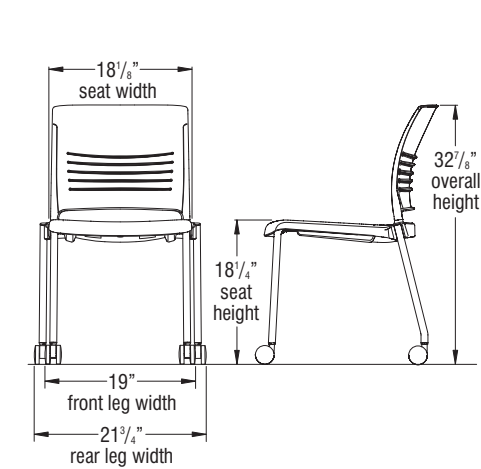
Strive Armless 4-Leg Chair



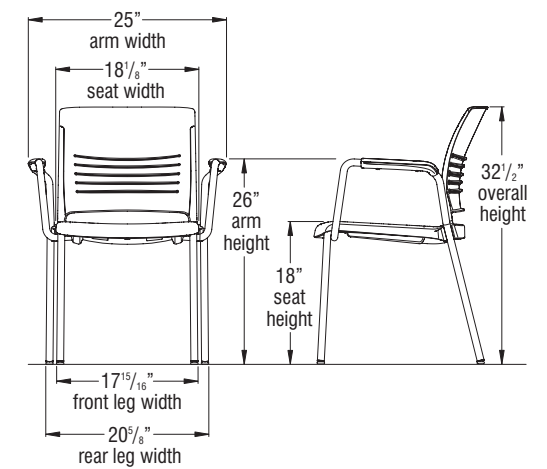
Strive 4-Leg Cantilever Armchair



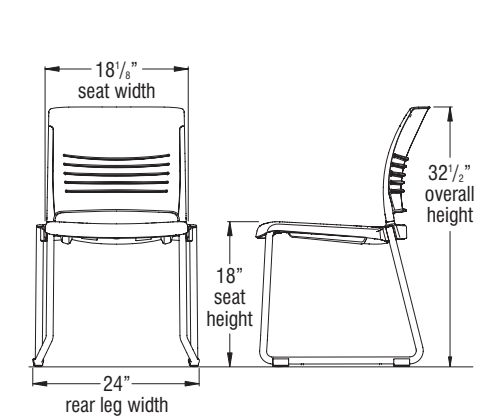
Strive Armless 4-Leg Chair with Casters



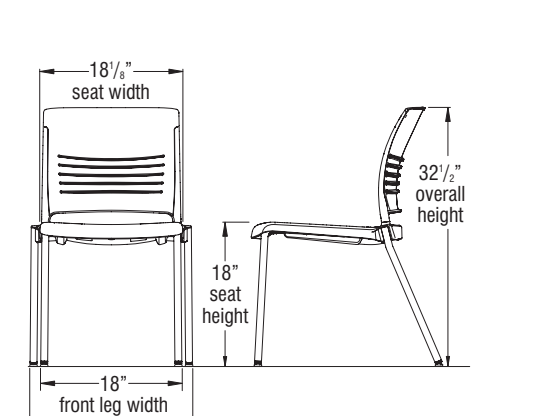
Strive 4-Leg Loop Armchair



Strive Armless Sled Base Chair

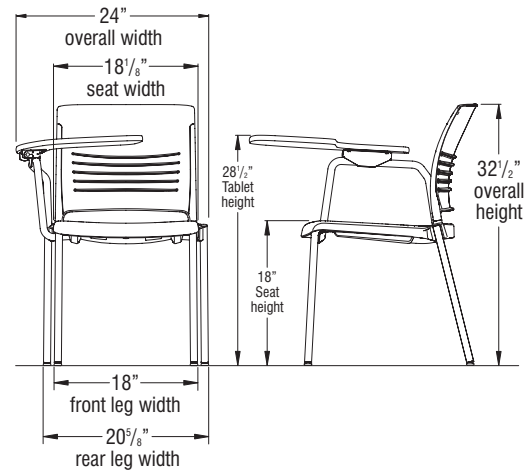


Strive Armless Sled Base Chair

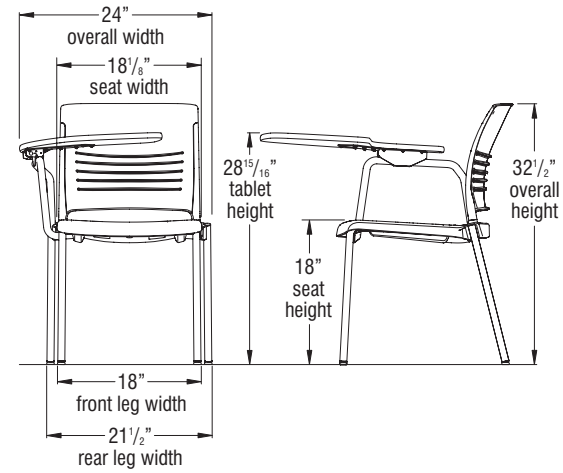




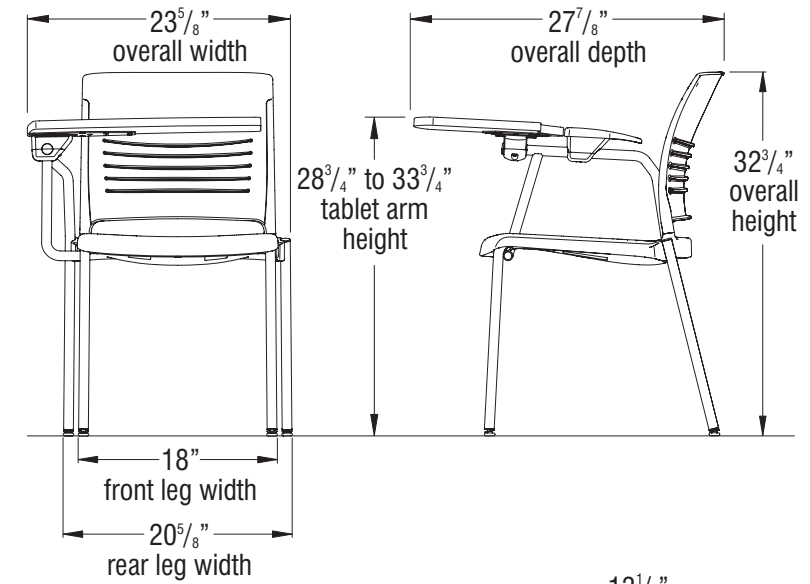
Strive 4-Leg Tablet Armchair



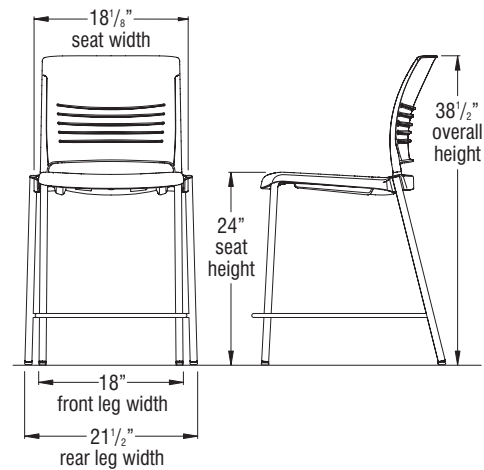
Strive 4-Leg Oversized Tablet Armchair



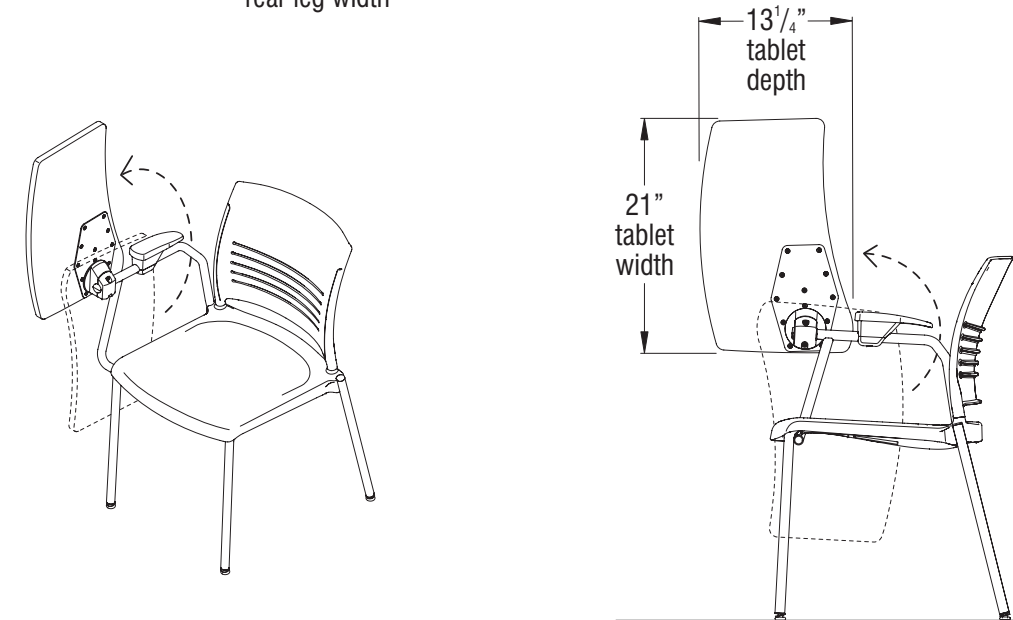
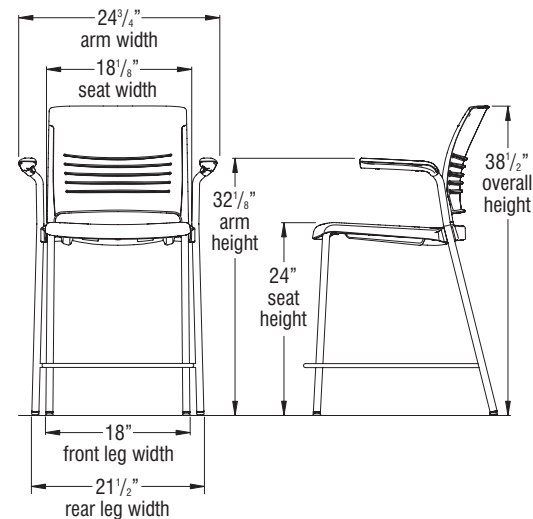
Strive 4-Leg ChangeUp Tablet Armchair



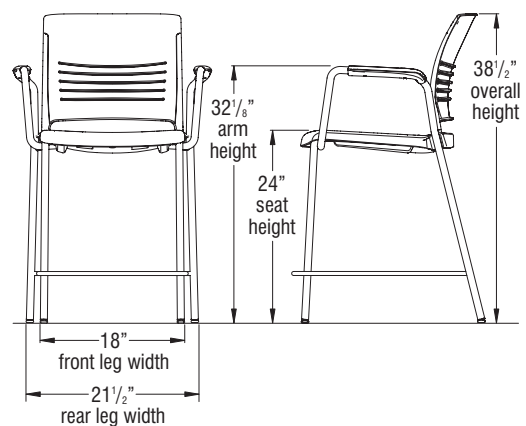
Strive Armless 4-Leg Café Stool



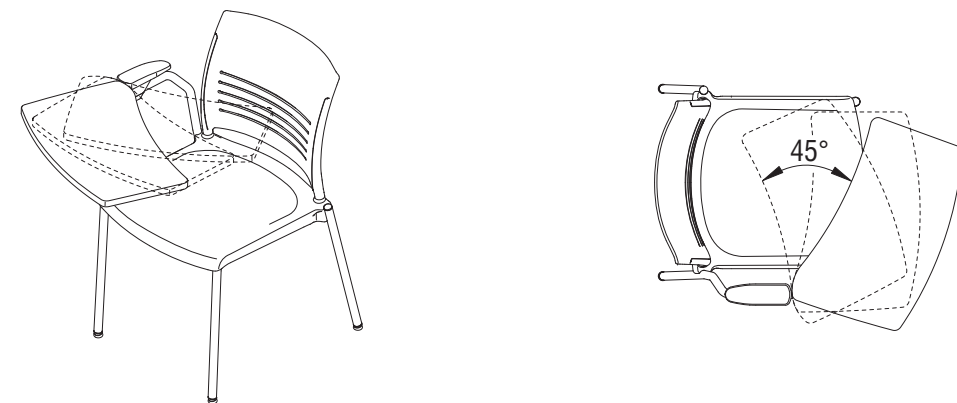
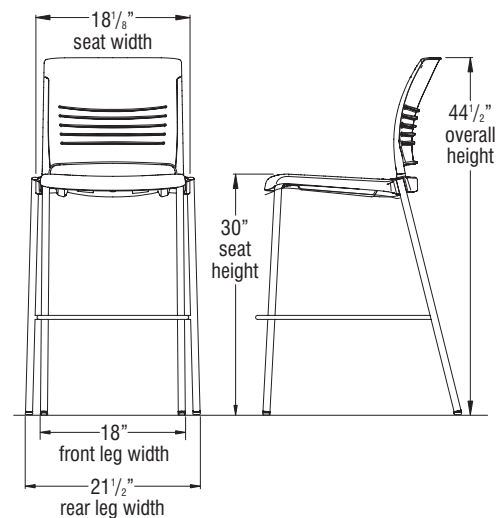
Strive 4-Leg Cantilever Arm Café Stool



Strive 4-Leg Arm Café Stool



Strive Armless 4-Leg Café Stool



**Frame Color**

Black
Blue Grey
Bronze Metallic
Cayenne
Champagne Metallic
Chrome
Cool Grey
Cottonwood
Earthen Clay
Espresso Metallic
Everglade Shade
Flannel
Glitz Metallic
Hazy Jade
Honey Bee
Light Tone
Mardi Gras
Misty Brown
Nemo
Nordic
Poppy Red
Purple Haze
Rainforest
Raw Jasper
Rubber Ducky
Sand
Sky Blue
Starlight Silver Metallic
Surf's Up
Tarragon
Twilight Shadow
Ultra Blue
Warm Grey
Zesty Lime

Armcaps and glides match the frame color with the following exceptions:

-When frame color is chrome or metallic, the armcaps and glides will match poly color.

-When back is diamond translucent, armcaps are light tone.

-When back is pewter translucent, armcaps are flannel.

Casters for four-leg chairs are always black.

Seat and Back Color - Polypropylene**Non Flame-Retardant**

BL	Black
GR	Black
ZM	Blue Grey
CY	Cayenne
CM	Cool Grey
CH	Cottonwood
CG	Diamond Translucent*
CO	Earthen Clay
EY	Everglade Shade
EX	Flannel
EV	Hazy Jade
FN	Honey Bee
GZ	Light Tone
HJ	Mardi Gras
HY	Misty Brown
LG	Nemo
MG	Nordic
MY	Pewter Translucent*
NE	Poppy Red
ND	Purple Haze
PR	Rainforest
PH	Raw Jasper
RQ	Rubber Ducky
RJ	Sand
RK	Sky Blue
SA	Surf's Up
SK	Tarragon
SX	Twilight Shadow
SP	Ultra Blue
TQ	Warm Grey
TI	Zesty Lime
UB	
WG	
ZL	

Seat and Back Color - Polypropylene**Flame-Retardant**

PBL	Black
-----	-------

The above seating product can be manufactured using the appropriate flame-retardant materials for compliance to California Technical Bulletin 133.

*NOTE: When FR upholstery is selected, FR poly (black only) must be selected. NFR poly is not available with FR upholstery.

Tablet Arm Color - Laminate

PBL	Beigewood	LBZ
PGR	Belair	LBQ
PCY	Biltmore Cherry	LBT
PCG	Black	LBK
PCO	Brighton Walnut	LBW
PDT	Canyon Zephyr	LCA
PEY	Castle Oak	LCO
PEV	Casual Linen	LCU
PFN	Cherry Storm	LCX
PHJ	Classic Linen	LCI
PHY	Cloud Zephyr	LCL
PLG	Cocobala	LCC
PMG	Crisp Linen	LRI
PMY	Desert Zephyr	LDZ
PNE	Designer White	LDR
PND	Dove Grey	LDG
PPT	Flax Linen	LXF
PPR	Florence Walnut	LFC
PPH	Forged Steel	LOL
PRQ	Friston Ash	LFH
PRJ	Frosty White	LFW
PRK	Graphite Nebula	LGN
PSA	Grey	LGE
PSK	High Rise	LHE
PSP	Hollyberry	LHY
PTQ	Island	LID
PTI	Italian Silver Ash	LIT
PUB	Kensington Maple	LKM
PWG	Lapis Blue	LLB
PZL	Markerboard White	LMK
	Misted Zephyr	LMR
	Monticello Maple	LMT
	North Sea	LNA
	Ocean	LON
	Pearl Bisque	LPB
	Pinnacle Walnut	LPW
	Pressed Linen	LPR
	River Cherry	LRV
	Satin Stainless	LSS
	Shadow Zephyr	LSR
	Silicon evolv	LSV
	Sterling Ash	LAZ
	Tailored Linen	LTL
	Titanium evolv	LTV
	White Nebula	LWL
	White Sand	LWN
	Windsor Mahogany	LWY



Finish Cards

View color swatches for items listed within this document.

Paints**Plastics/Poly****Wood/Veneer****Laminates****Molded Edges****Edge Styles****Hard Plastics****Glass**

Certain options referenced may not be available on GSA Schedule.



MODEL	Features	MODEL NUMBER							Approx. Packaged Weight	Delivered Pricing Unupholstered	Delivered Pricing Fabric Grade 1 & C.O.M.	Delivered Pricing Fabric Grade 2	Delivered Pricing Fabric Grade 3	Delivered Pricing C.O.V.	Delivered Pricing Vinyl Group 2V	Delivered Pricing Pallas Fabric Group P0	Delivered Pricing Pallas Fabric Group P1	Delivered Pricing Pallas Fabric Group P2	Delivered Pricing Pallas Fabric Group P3	Delivered Pricing Pallas Fabric Group P4
		Basic Model	Frame Color	Seat & Back Color	Caster Type	Glide Option	Fire Code	Upholstery Color												
 Four-Leg Armless Chair • Flex back • Stacking	Polypropylene	SLNAP	<input type="checkbox"/>	<input type="checkbox"/>		<input type="checkbox"/>	<input type="checkbox"/>	20.0#	\$ 254											
	Upholstered Seat	SLNAU	<input type="checkbox"/>	<input type="checkbox"/>		<input type="checkbox"/>	<input type="checkbox"/>	23.0#	N/A	336	374	390	336	390	387	436	462	491	515	
	Upholstered Seat/Back	SLNAUB	<input type="checkbox"/>	<input type="checkbox"/>		<input type="checkbox"/>	<input type="checkbox"/>	23.0#	N/A	406	444	459	406	459	458	508	534	562	584	
SLP SLU SLUB																				
 Four-Leg Armless Chair with Casters • Flex back • Stacking (Caution should be used if stacking to prevent casters from damaging chair and frame) • Stacking on dollies is NOT recommended	Polypropylene, Casters	SLNAPC	<input type="checkbox"/>	<input type="checkbox"/>	<input type="checkbox"/>		<input type="checkbox"/>	26.0#	\$ 302											
	Uph. Seat, Casters	SLNAUC	<input type="checkbox"/>	<input type="checkbox"/>	<input type="checkbox"/>		<input type="checkbox"/>	29.0#	N/A	384	421	441	384	441	441	488	515	542	566	
	Uph. Seat/Back, Casters	SLNAUBC	<input type="checkbox"/>	<input type="checkbox"/>	<input type="checkbox"/>		<input type="checkbox"/>	29.0#	N/A	455	491	510	455	510	509	558	584	610	637	
SLP SLU SLUB																				
			A	B	C	D	E	F	G											

HOW TO ORDER

Indicate the following information on order form:

- Quantity of each item.
- Model number, including options. See "How To Build a Model Number".
- Any special service required.

Note:

- The indicates that a choice is required.
- The absence of the indicates that no choice is required.
- Alpha-numeric characters in place of indicate that no other alternatives are available.

HOW TO BUILD A MODEL NUMBER

A Select basic model.

B Select frame color. Refer to the **Product Color Options** page in this price list.

C Select poly seat and back color. Refer to the **Product Color Options** page in this price list.

D Select casters.

C - Carpet casters (black only)
S - Hard floor casters (black only)

E Select glide option.

F - Felt Glides
P - Plastic glides
S - Steel glides

F Select fire code.

NFR - Compliance to TB 117-2013
FR - Compliance to TB 133

G Select upholstery grade/color. Refer to ki.com/fabrics

UPHOLSTERY INFORMATION

C.O.M. Upholstery
 C.O.M. requirement for 10 chairs or less with upholstered seat or upholstered seat and back is 3/4 yard per chair of 54" wide nondirectional fabric. For orders of 11 or more with upholstered seat and back. For complete information on ordering C.O.M. see "Ordering Customer's Own Material (C.O.M) Upholstery." section.

OPTIONS

California TB133 Fire Safety Code
 For California Technical Bulletin 133 compliant models, add the following upcharge:

Model=Polypropylene
 Added List Price=\$13

Model=Upholstered Seat
 Added List Price=\$91

Model=Upholstered Seat and Back
 Added List Price=\$129



SPECIAL SERVICES

Special Carton Marking
 With specially marked information N/C

Shipping
 Ships **assembled, FOB Green Bay, WI 54302, freight prepaid.** Freight class 125.

Specifications and prices are subject to change without prior notice.



MODEL	Features	MODEL NUMBER							Approx. Packaged Weight	Delivered Pricing Unupholstered	Delivered Pricing Fabric Grade 1 & C.O.M.	Delivered Pricing Fabric Grade 2	Delivered Pricing Fabric Grade 3	Delivered Pricing C.O.V.	Delivered Pricing Vinyl Group 2V	Delivered Pricing Pallas Fabric Group P0	Delivered Pricing Pallas Fabric Group P1	Delivered Pricing Pallas Fabric Group P2	Delivered Pricing Pallas Fabric Group P3	Delivered Pricing Pallas Fabric Group P4
		Basic Model	Frame Color	Seat & Back Color	Caster Type	Glide Option	Fire Code	Upholstery Color												
 Four-Leg Cantilever Arm Chair • Flex back • Stacking	Polypropylene	SLCAP	<input type="checkbox"/>	<input type="checkbox"/>		<input type="checkbox"/>	<input type="checkbox"/>	23.0#	\$ 330											
	Upholstered Seat	SLCAU	<input type="checkbox"/>	<input type="checkbox"/>		<input type="checkbox"/>	<input type="checkbox"/>	26.0#	N/A	414	450	463	414	463	463	514	540	567	592	
	Upholstered Seat/Back	SLCAUB	<input type="checkbox"/>	<input type="checkbox"/>		<input type="checkbox"/>	<input type="checkbox"/>	26.0#	N/A	483	519	535	483	535	535	583	609	638	660	
SLP SLU SLUB																				
 Four-Leg Cantilever Arm Chair with Casters • Flex back • Stacking (Caution should be used if stacking to prevent casters from damaging chair and frame) • Stacking on dollies is NOT recommended	Polypropylene, Casters	SLCAPC	<input type="checkbox"/>	<input type="checkbox"/>	<input type="checkbox"/>		<input type="checkbox"/>	28.0#	\$ 379											
	Uph. Seat, Casters	SLCAUC	<input type="checkbox"/>	<input type="checkbox"/>	<input type="checkbox"/>		<input type="checkbox"/>	31.0#	N/A	461	499	517	461	517	515	565	592	618	643	
	Uph. Seat/Back, Casters	SLCAUBC	<input type="checkbox"/>	<input type="checkbox"/>	<input type="checkbox"/>		<input type="checkbox"/>	31.0#	N/A	532	568	585	532	585	583	633	660	689	712	
SLP SLU SLUB																				

A **B** **C** **D** **E** **F** **G**

HOW TO ORDER

- Indicate the following information on order form:
- Quantity of each item.
 - Model number, including options. See "How To Build a Model Number".
 - Any special service required.

Note:

- The indicates that a choice is required.
- The absence of the indicates that no choice is required.
- Alpha-numeric characters in place of indicate that no other alternatives are available.

HOW TO BUILD A MODEL NUMBER

- A** Select basic model.
- B** Select frame color. Refer to the **Product Color Options** page in this price list.
- C** Select poly seat and back color. Refer to the **Product Color Options** page in this price list.
- D** Select casters.
 - C** - Carpet casters (black only)
 - S** - Hard floor casters (black only)
- E** Select glide option.
 - F** - Felt Glides
 - P** - Plastic glides
 - S** - Steel glides
- F** Select fire code.
 - FR** - Compliance to TB 133
 - NFR** - Compliance to TB 117-2013

G Select upholstery grade/color. Refer to ki.com/fabrics

UPHOLSTERY INFORMATION

C.O.M. Upholstery
 C.O.M. requirement for 10 chairs or less with upholstered seat or upholstered seat and back is 3/4 yard per chair of 54" wide nondirectional fabric. For orders of 11 or more with upholstered seat and back. For complete information on ordering C.O.M. see "Ordering Customer's Own Material (C.O.M) Upholstery." section.

OPTIONS

- California TB133 Fire Safety Code**
 For California Technical Bulletin 133 compliant models, add the following upcharge:
- Model=Polypropylene
Added List Price=\$13
 - Model=Upholstered Seat
Added List Price=\$91
 - Model=Upholstered Seat and Back
Added List Price=\$129



SPECIAL SERVICES

Special Carton Marking
 With specially marked information N/C

Shipping
 Ships **assembled, FOB Green Bay, WI 54302, freight prepaid.** Freight class 125.

Specifications and prices are subject to change without prior notice.



MODEL	Features	MODEL NUMBER							Approx. Packaged Weight	Delivered Pricing Unupholstered	Delivered Pricing Fabric Grade 1 & C.O.M.	Delivered Pricing Fabric Grade 2	Delivered Pricing Fabric Grade 3	Delivered Pricing C.O.V.	Delivered Pricing Vinyl Group 2V	Delivered Pricing Pallas Fabric Group P0	Delivered Pricing Pallas Fabric Group P1	Delivered Pricing Pallas Fabric Group P2	Delivered Pricing Pallas Fabric Group P3	Delivered Pricing Pallas Fabric Group P4
		Basic Model	Frame Color	Seat & Back Color	Caster Type	Glide Option	Fire Code	Upholstery Color												
 Four-Leg Loop Arm Chair • Flex back • Stacking	Polypropylene	SLLAP	<input type="checkbox"/>	<input type="checkbox"/>	<input type="checkbox"/>	<input type="checkbox"/>	<input type="checkbox"/>	<input type="checkbox"/>	25.0#	\$ 348										
	Upholstered Seat	SLLAU	<input type="checkbox"/>	<input type="checkbox"/>	<input type="checkbox"/>	<input type="checkbox"/>	<input type="checkbox"/>	<input type="checkbox"/>	27.0#	N/A	427	463	484	427	484	483	532	558	583	607
	Upholstered Seat/Back	SLLAUB	<input type="checkbox"/>	<input type="checkbox"/>	<input type="checkbox"/>	<input type="checkbox"/>	<input type="checkbox"/>	<input type="checkbox"/>	27.0#	N/A	497	535	550	497	550	550	600	625	651	676
SLP SLU SLUB																				
 Four-Leg Loop Arm Chair with Casters • Flex back • Stacking (Caution should be used if stacking to prevent casters from damaging chair and frame) • Stacking on dollies is NOT recommended	Polypropylene, Casters	SLLAPC	<input type="checkbox"/>	<input type="checkbox"/>	<input type="checkbox"/>	<input type="checkbox"/>	<input type="checkbox"/>	<input type="checkbox"/>	30.0#	\$ 396										
	Upholstered Seat, Casters	SLLAUC	<input type="checkbox"/>	<input type="checkbox"/>	<input type="checkbox"/>	<input type="checkbox"/>	<input type="checkbox"/>	<input type="checkbox"/>	32.0#	N/A	478	517	535	478	535	532	579	607	638	657
	Uph. Seat/Back, Casters	SLLAUBC	<input type="checkbox"/>	<input type="checkbox"/>	<input type="checkbox"/>	<input type="checkbox"/>	<input type="checkbox"/>	<input type="checkbox"/>	32.0#	N/A	548	585	603	548	603	600	649	676	705	727
SLP SLU SLUB																				

A **B** **C** **D** **E** **F** **G**

HOW TO ORDER

Indicate the following information on order form:
 1. Quantity of each item.
 2. Model number, including options. See "How To Build a Model Number".
 3. Any special service required.

Note: • The indicates that a choice is required.
 • The absence of the indicates that no choice is required.
 • Alpha-numeric characters in place of indicate that no other alternatives are available.

HOW TO BUILD A MODEL NUMBER

- A** Select basic model.
- B** Select frame color. Refer to the **Product Color Options** page in this price list.
- C** Select poly seat and back color. Refer to the **Product Color Options** page in this price list.
- D** Select casters.
 - C** - Carpet casters (black only)
 - S** - Hard floor casters (black only)
- E** Select glide option.
 - F** - Felt Glides
 - P** - Plastic glides
 - S** - Steel glides
- F** Select fire code.
 - NFR** - Compliance to TB 117-2013
 - FR** - Compliance to TB 133

G Select upholstery grade/color. Refer to ki.com/fabrics

UPHOLSTERY INFORMATION

C.O.M. Upholstery
 C.O.M. requirement for 10 chairs or less with upholstered seat or upholstered seat and back is 3/4 yard per chair of 54" wide nondirectional fabric. For orders of 11 or more with upholstered seat and back. For complete information on ordering C.O.M. see "Ordering Customer's Own Material (C.O.M) Upholstery." section.

OPTIONS

- California TB133 Fire Safety Code**
 For California Technical Bulletin 133 compliant models, add the following upcharge:

 Model=Polypropylene
 Added List Price=\$13

 Model=Upholstered Seat
 Added List Price=\$91

 Model=Upholstered Seat and Back
 Added List Price=\$129



SPECIAL SERVICES

Special Carton Marking
 With specially marked information N/C

Shipping
 Ships **assembled, FOB Green Bay, WI 54302, freight prepaid.** Freight class 125.

 Specifications and prices are subject to change without prior notice.



MODEL	Features	MODEL NUMBER							Approx. Packaged Weight	Delivered Pricing Unupholstered	Delivered Pricing Fabric Grade 1 & C.O.M.	Delivered Pricing Fabric Grade 2	Delivered Pricing Fabric Grade 3	Delivered Pricing C.O.V.	Delivered Pricing Vinyl Group 2V	Delivered Pricing Pallas Fabric Group P0	Delivered Pricing Pallas Fabric Group P1	Delivered Pricing Pallas Fabric Group P2	Delivered Pricing Pallas Fabric Group P3	Delivered Pricing Pallas Fabric Group P4
		Basic Model	Frame Color	Seat & Back Color	Glide Option	Tablet Arm Color	Fire Code	Upholstery Color												
 <p>Four-Leg Tablet Arm Chair • Flex back • NONSTACKING</p>	Polypropylene, Left Hand	SLTAPLH	<input type="checkbox"/>	<input type="checkbox"/>	<input type="checkbox"/>	<input type="checkbox"/>	<input type="checkbox"/>	<input type="checkbox"/>	33.0#	\$ 491										
	Polypropylene, Right Hand	SLTAPRH	<input type="checkbox"/>	<input type="checkbox"/>	<input type="checkbox"/>	<input type="checkbox"/>	<input type="checkbox"/>	<input type="checkbox"/>	33.0#	491										
	Uph. Seat, Left Hand	SLTAULH	<input type="checkbox"/>	<input type="checkbox"/>	<input type="checkbox"/>	<input type="checkbox"/>	<input type="checkbox"/>	<input type="checkbox"/>	35.0#	N/A	573	609	625	573	625	624	675	701	727	751
	Uph. Seat, Right Hand	SLTAURH	<input type="checkbox"/>	<input type="checkbox"/>	<input type="checkbox"/>	<input type="checkbox"/>	<input type="checkbox"/>	<input type="checkbox"/>	35.0#	N/A	573	609	625	573	625	624	675	701	727	751
	Uph. Seat/Back, Left Hand	SLTAUBLH	<input type="checkbox"/>	<input type="checkbox"/>	<input type="checkbox"/>	<input type="checkbox"/>	<input type="checkbox"/>	<input type="checkbox"/>	35.0#	N/A	643	678	696	643	696	694	744	770	797	821
	Uph. Seat/Back, Right Hand	SLTAUBRH	<input type="checkbox"/>	<input type="checkbox"/>	<input type="checkbox"/>	<input type="checkbox"/>	<input type="checkbox"/>	<input type="checkbox"/>	35.0#	N/A	643	678	696	643	696	694	744	770	797	821
SLP																				
SLU																				
SLUB																				
 <p>Four-Leg Oversize Tablet Arm Chair • Oversized tablet • Flex back • NONSTACKING</p>	Polypropylene, Left Hand	SLOVTAPLH	<input type="checkbox"/>	<input type="checkbox"/>	<input type="checkbox"/>	<input type="checkbox"/>	<input type="checkbox"/>	<input type="checkbox"/>	33.0#	\$ 573										
	Polypropylene, Right Hand	SLOVTAPRH	<input type="checkbox"/>	<input type="checkbox"/>	<input type="checkbox"/>	<input type="checkbox"/>	<input type="checkbox"/>	<input type="checkbox"/>	33.0#	573										
	Uph. Seat, Left Hand	SLOVTAULH	<input type="checkbox"/>	<input type="checkbox"/>	<input type="checkbox"/>	<input type="checkbox"/>	<input type="checkbox"/>	<input type="checkbox"/>	35.0#	N/A	652	688	704	652	704	703	754	780	806	830
	Uph. Seat, Right Hand	SLOVTaurH	<input type="checkbox"/>	<input type="checkbox"/>	<input type="checkbox"/>	<input type="checkbox"/>	<input type="checkbox"/>	<input type="checkbox"/>	35.0#	N/A	652	688	704	652	704	703	754	780	806	830
	Uph. Seat/Back, Left Hand	SLOVTAUBLH	<input type="checkbox"/>	<input type="checkbox"/>	<input type="checkbox"/>	<input type="checkbox"/>	<input type="checkbox"/>	<input type="checkbox"/>	35.0#	N/A	721	757	773	721	773	772	823	849	875	899
	Uph. Seat/Back, Right Hand	SLOVTAUBRH	<input type="checkbox"/>	<input type="checkbox"/>	<input type="checkbox"/>	<input type="checkbox"/>	<input type="checkbox"/>	<input type="checkbox"/>	35.0#	N/A	721	757	773	721	773	772	823	849	875	899
SLP																				
SLU																				
SLUB																				

A **B** **C** **D** **E** **F** **G**

HOW TO ORDER

Indicate the following information on order form:
 1. Quantity of each item.
 2. Model number, including options. See "How To Build a Model Number".
 3. Any special service required.

Note: • The indicates that a choice is required.
 • The absence of the indicates that no choice is required.
 • Alpha-numeric characters in place of indicate that no other alternatives are available.

HOW TO BUILD A MODEL NUMBER

- A** Select basic model.
- B** Select frame color. Refer to the **Product Color Options** page in this price list.
- C** Select poly seat and back color. Refer to the **Product Color Options** page in this price list.
- D** Select glide option.
F - Felt Glides
P - Plastic glides
S - Steel glides
- E** Select tablet arm color. Refer to the **Product Color Options** page in this price list.
- F** Select fire code.
FR - Compliance to TB 133
NFR - Compliance to TB 117-2013

G Select upholstery grade/color. Refer to ki.com/fabrics

UPHOLSTERY INFORMATION

C.O.M. Upholstery
 C.O.M. requirement for 10 chairs or less with upholstered seat or upholstered seat and back is 3/4 yard per chair of 54" wide nondirectional fabric. For orders of 11 or more with upholstered seat and back. For complete information on ordering C.O.M. see "Ordering Customer's Own Material (C.O.M) Upholstery." section.

OPTIONS

- California TB133 Fire Safety Code**
 For California Technical Bulletin 133 compliant models, add the following upcharge:

 Model=Polypropylene
 Added List Price=\$13

 Model=Upholstered Seat
 Added List Price=\$91

 Model=Upholstered Seat and Back
 Added List Price=\$129

SPECIAL SERVICES

Special Carton Marking
 With specially marked information N/C

Shipping
 Ships **assembled, FOB Green Bay, WI 54302, freight prepaid.** Freight class 125.

 Specifications and prices are subject to change without prior notice.



Features	MODEL NUMBER							Approx. Packaged Weight	Delivered Pricing Unupholstered	Delivered Pricing Fabric Grade 1 & C.O.M.	Delivered Pricing Fabric Grade 2	Delivered Pricing Fabric Grade 3	Delivered Pricing C.O.V.	Delivered Pricing Vinyl Group 2V	Delivered Pricing Pallas Fabric Group P0	Delivered Pricing Pallas Fabric Group P1	Delivered Pricing Pallas Fabric Group P2	Delivered Pricing Pallas Fabric Group P3
	Basic Model	Frame Color	Seat & Back Color	Glide Option	Tablet Arm Color	Fire Code	Upholstery Color											
Polypropylene, Left Hand	SLCUTAPLH	<input type="checkbox"/>	<input type="checkbox"/>	<input type="checkbox"/>	<input type="checkbox"/>	<input type="checkbox"/>	<input type="checkbox"/>	34.0#	\$ 724									
Polypropylene, Right Hand	SLCUTAPRH	<input type="checkbox"/>	<input type="checkbox"/>	<input type="checkbox"/>	<input type="checkbox"/>	<input type="checkbox"/>	<input type="checkbox"/>	34.0#	724									
Upholstered Seat, Left Hand	SLCUTAULH	<input type="checkbox"/>	<input type="checkbox"/>	<input type="checkbox"/>	<input type="checkbox"/>	<input type="checkbox"/>	<input type="checkbox"/>	36.5#	N/A	806	842	860	806	860	855	943	932	960
Upholstered Seat, Right Hand	SLCUTAURH	<input type="checkbox"/>	<input type="checkbox"/>	<input type="checkbox"/>	<input type="checkbox"/>	<input type="checkbox"/>	<input type="checkbox"/>	36.5#	N/A	806	842	860	806	860	855	943	932	960
Upholstered Seat/Back, Left Hand	SLCUTAUBLH	<input type="checkbox"/>	<input type="checkbox"/>	<input type="checkbox"/>	<input type="checkbox"/>	<input type="checkbox"/>	<input type="checkbox"/>	37.7#	N/A	876	914	929	876	929	928	977	1003	1031
Upholstered Seat/Back, Right Hand	SLCUTAUBRH	<input type="checkbox"/>	<input type="checkbox"/>	<input type="checkbox"/>	<input type="checkbox"/>	<input type="checkbox"/>	<input type="checkbox"/>	37.7#	N/A	876	914	929	876	929	928	977	1003	1031
SLP																		
SLU																		
SLUB																		
Four-Leg ChangeUp Tablet Arm Chair with Glides																		
<ul style="list-style-type: none"> Flexing Back Large work surface (21"W x 13.3"D) Work surface flips and folds Work surface has 20 degrees of ingress/egress movement Work surface rated to 250 pounds Chair rated to 400 pounds 																		
	A	B	C	D	E	F	G											

HOW TO ORDER

Indicate the following information on order form:
 1. Quantity of each item.
 2. Model number, including options. See "How To Build a Model Number".
 3. Any special service required.

Note: • The indicates that a choice is required.
 • The absence of the indicates that no choice is required.
 • Alpha-numeric characters in place of indicate that no other alternatives are available.

HOW TO BUILD A MODEL NUMBER

- A** Select basic model.
- B** Select frame color. Refer to the **Product Color Options** page in this price list.
- C** Select poly seat and back color. Refer to the **Product Color Options** page in this price list.
- D** Select glide option.
 - F** - Felt Glides
 - P** - Plastic glides
 - S** - Steel glides
- E** Select tablet arm color. Refer to the **Product Color Options** page in this price list.
- F** Select fire code.
 - FR** - Compliance to TB 133
 - NFR** - Compliance to TB 117-2013
 See Upholstery Information for TB133 upcharge.
- G** Select upholstery grade/color. Refer to ki.com/fabrics

UPHOLSTERY INFORMATION

C.O.M. Upholstery
 C.O.M. requirement for 10 chairs or less with upholstered seat or upholstered seat and back is 3/4 yard per chair of 54" wide nondirectional fabric. For orders of 11 or more with upholstered seat and back. For complete information on ordering C.O.M. see "Ordering Customer's Own Material (C.O.M) Upholstery." section.

OPTIONS

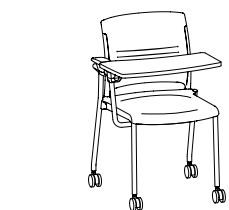
- California TB133 Fire Safety Code**
 For California Technical Bulletin 133 compliant models, add the following upcharge:
 Model=Polypropylene
 Added List Price=\$13
 Model=Upholstered Seat
 Added List Price=\$91
 Model=Upholstered Seat and Back
 Added List Price=\$129

SPECIAL SERVICES

Special Carton Marking
 With specially marked information N/C
Shipping
 Ships **assembled, FOB Green Bay, WI 54302, freight prepaid.** Freight class 125.
 Specifications and prices are subject to change without prior notice.



Features	MODEL NUMBER							Approx. Packaged Weight	Delivered Pricing Unupholstered	Delivered Pricing Fabric Grade 1 & C.O.M.	Delivered Pricing Fabric Grade 2	Delivered Pricing Fabric Grade 3	Delivered Pricing C.O.V.	Delivered Pricing Vinyl Group 2V	Delivered Pricing Pallas Fabric Group P0	Delivered Pricing Pallas Fabric Group P1	Delivered Pricing Pallas Fabric Group P2	Delivered Pricing Pallas Fabric Group P3
	Basic Model	Frame Color	Seat & Back Color	Caster Type	Tablet Arm Color	Fire Code	Upholstery Color											
Polypropylene, Left Hand	SLCUTAPCLH	<input type="checkbox"/>	<input type="checkbox"/>	<input type="checkbox"/>	<input type="checkbox"/>	<input type="checkbox"/>	<input type="checkbox"/>	33.0#	\$ 772									
Polypropylene, Right Hand	SLCUTAPCRH	<input type="checkbox"/>	<input type="checkbox"/>	<input type="checkbox"/>	<input type="checkbox"/>	<input type="checkbox"/>	<input type="checkbox"/>	33.0#	772									
Upholstered Seat, Left Hand	SLCUTAULH	<input type="checkbox"/>	<input type="checkbox"/>	<input type="checkbox"/>	<input type="checkbox"/>	<input type="checkbox"/>	<input type="checkbox"/>	35.5#	N/A	854	891	910	854	910	910	958	985	1012
Upholstered Seat, Right Hand	SLCUTAURH	<input type="checkbox"/>	<input type="checkbox"/>	<input type="checkbox"/>	<input type="checkbox"/>	<input type="checkbox"/>	<input type="checkbox"/>	35.5#	N/A	854	891	910	854	910	910	958	985	1012
Upholstered Seat/Back, Left Hand	SLCUTAUBLH	<input type="checkbox"/>	<input type="checkbox"/>	<input type="checkbox"/>	<input type="checkbox"/>	<input type="checkbox"/>	<input type="checkbox"/>	36.7#	N/A	924	960	980	924	980	978	1028	1054	1080
Upholstered Seat/Back, Right Hand	SLCUTAUBRH	<input type="checkbox"/>	<input type="checkbox"/>	<input type="checkbox"/>	<input type="checkbox"/>	<input type="checkbox"/>	<input type="checkbox"/>	36.7#	N/A	924	960	980	924	980	978	1028	1054	1080



SLP
SLU
SLUB

- Four-Leg ChangeUp Tablet Arm Chair with Casters**
- Flexing Back
 - Large work surface (21"W x 13.3"D)
 - Work surface flips and folds
 - Work surface has 20 degrees of ingress/egress movement
 - Work surface rated to 250 pounds
 - Chair rated to 400 pounds

A **B** **C** **D** **E** **F** **G**

HOW TO ORDER

- Indicate the following information on order form:
1. Quantity of each item.
 2. Model number, including options. See "How To Build a Model Number".
 3. Any special service required.

Note: • The indicates that a choice is required.
• The absence of the indicates that no choice is required.
• Alpha-numeric characters in place of indicate that no other alternatives are available.

HOW TO BUILD A MODEL NUMBER

- A** Select basic model.
- B** Select frame color. Refer to the **Product Color Options** page in this price list.
- C** Select poly seat and back color. Refer to the **Product Color Options** page in this price list.
- D** Select casters.

S	- Hard floor casters (black only)
C	- Carpet casters
- E** Select tablet arm color. Refer to the **Product Color Options** page in this price list.
- F** Select fire code.

NFR	- Compliance to TB 117-2013
FR	- Compliance to TB 133

 See Upholstery Information for TB133 upcharge.
- G** Select upholstery grade/color. Refer to ki.com/fabrics

UPHOLSTERY INFORMATION

C.O.M. Upholstery
C.O.M. requirement for 10 chairs or less with upholstered seat or upholstered seat and back is 3/4 yard per chair of 54" wide nondirectional fabric. For orders of 11 or more with upholstered seat and back. For complete information on ordering C.O.M. see "Ordering Customer's Own Material (C.O.M) Upholstery." section.

OPTIONS

- California TB133 Fire Safety Code**
For California Technical Bulletin 133 compliant models, add the following upcharge:
- Model=Polypropylene
Added List Price=\$13
 - Model=Upholstered Seat
Added List Price=\$91
 - Model=Upholstered Seat and Back
Added List Price=\$129




SPECIAL SERVICES

Special Carton Marking
With specially marked information N/C

Shipping
Ships **assembled, FOB Green Bay, WI 54302, freight prepaid.** Freight class 125.

Specifications and prices are subject to change without prior notice.



MODEL	Features	MODEL NUMBER						Approx. Packaged Weight	Delivered Pricing	Delivered Pricing Fabric Grade 1 & C.O.M.	Delivered Pricing Fabric Grade 2	Delivered Pricing Fabric Grade 3	Delivered Pricing C.O.V.	Delivered Pricing Vinyl Group 2V	Delivered Pricing Pallas Fabric Group P0	Delivered Pricing Pallas Fabric Group P1	Delivered Pricing Pallas Fabric Group P2	Delivered Pricing Pallas Fabric Group P3	Delivered Pricing Pallas Fabric Group P4
		Basic Model	Frame Color	Seat & Back Color	Glide Option	Fire Code	Upholstery Color												
 Four-Leg Wallsaver Armless Chair • Flex back • Stacking • Wallsaver rear legs touch base of wall preventing chair back from contacting wall surface	Polypropylene	SLNAPWS	<input type="checkbox"/>	<input type="checkbox"/>	S	<input type="checkbox"/>	20.0#	\$ 310											
	Upholstered Seat	SLNAUWS	<input type="checkbox"/>	<input type="checkbox"/>	S	<input type="checkbox"/>	23.0#	N/A	390	424	446	390	446	443	491	519	546	570	
	Upholstered Seat/Back	SLNAUBWS	<input type="checkbox"/>	<input type="checkbox"/>	S	<input type="checkbox"/>	23.0#	N/A	459	496	514	459	514	512	562	586	615	640	
SLP SLU SLUB																			
 Four-Leg Wallsaver Cantilever Arm Chair • Flex back • Stacking • Wallsaver rear legs touch base of wall preventing chair back from contacting wall surface	Polypropylene	SLCAPWS	<input type="checkbox"/>	<input type="checkbox"/>	S	<input type="checkbox"/>	23.0#	\$ 384											
	Upholstered Seat	SLCAUWS	<input type="checkbox"/>	<input type="checkbox"/>	S	<input type="checkbox"/>	26.0#	N/A	465	504	521	465	521	519	568	597	622	646	
	Upholstered Seat/Back	SLCAUBWS	<input type="checkbox"/>	<input type="checkbox"/>	S	<input type="checkbox"/>	26.0#	N/A	536	573	590	536	590	590	639	664	692	716	
SLP SLU SLUB																			
 Four-Leg Wallsaver Loop Arm Chair • Flex back • Stacking • Wallsaver rear legs touch base of wall preventing chair back from contacting wall surface	Polypropylene	SLLAPWS	<input type="checkbox"/>	<input type="checkbox"/>	S	<input type="checkbox"/>	25.0#	\$ 404											
	Upholstered Seat	SLLAUWS	<input type="checkbox"/>	<input type="checkbox"/>	S	<input type="checkbox"/>	27.0#	N/A	485	521	537	485	537	536	584	612	640	660	
	Upholstered Seat/Back	SLLAUBWS	<input type="checkbox"/>	<input type="checkbox"/>	S	<input type="checkbox"/>	27.0#	N/A	552	590	606	552	606	604	652	681	707	731	
SLP SLU SLUB																			

A **B** **C** **D** **E** **F**

HOW TO ORDER

- Indicate the following information on order form:
- Quantity of each item.
 - Model number, including options. See "How To Build a Model Number".
 - Any special service required.

Note: • The indicates that a choice is required.
 • The absence of the indicates that no choice is required.
 • Alpha-numeric characters in place of indicate that no other alternatives are available.

HOW TO BUILD A MODEL NUMBER

- A** Select basic model.
- B** Select frame color.
Refer to the **Product Color Options** page in this price list.
- C** Select seat and back color.
Refer to the **Product Color Options** page in this price list.
- D** Select glide option.
S - Steel glides
- E** Select fire code.
FR - Compliance to TB 133
NFR - Compliance to TB 117-2013
- F** Select upholstery grade/color.
Refer to ki.com/fabrics

UPHOLSTERY INFORMATION

C.O.M. Upholstery
 C.O.M. requirement for 10 chairs or less with upholstered seat or upholstered seat and back is 3/4 yard per chair of 54" wide nondirectional fabric. For orders of 11 or more with upholstered seat and back and for complete information on ordering C.O.M. see "Ordering C.O.M., C.O.V. and C.O.L." section.

OPTIONS

- California TB133 Fire Safety Code**
 For California Technical Bulletin 133 compliant models, add the following upcharge:
- Model=Polypropylene
Added List Price=\$13
 - Model=Upholstered Seat
Added List Price=\$91
 - Model=Upholstered Seat and Back
Added List Price=\$129

SPECIAL SERVICES



Special Carton Marking

With specially marked information N/C

Shipping
 Ships **assembled, FOB Green Bay, WI 54302, freight prepaid.** Freight class 125.

Specifications and prices are subject to change without prior notice.



MODEL	Features	MODEL NUMBER						Approx. Packaged Weight	Delivered Pricing Unupholstered	Delivered Pricing Fabric Grade 1 & C.O.M.	Delivered Pricing Fabric Grade 2	Delivered Pricing Fabric Grade 3	Delivered Pricing C.O.V.	Delivered Pricing Vinyl Group 2V	Delivered Pricing Pallas Fabric Group P0	Delivered Pricing Pallas Fabric Group P1	Delivered Pricing Pallas Fabric Group P2	Delivered Pricing Pallas Fabric Group P3	Delivered Pricing Pallas Fabric Group P4
		Basic Model	Frame Color	Seat & Back Color	Glide Option	Fire Code	Upholstery Color												
 Sled Base Armless Chair • Flex back • Stacking	Polypropylene	SSNAP	<input type="checkbox"/>	<input type="checkbox"/>	<input type="checkbox"/>	<input type="checkbox"/>	22.0#	\$ 289											
	Upholstered Seat	SSNAU	<input type="checkbox"/>	<input type="checkbox"/>	<input type="checkbox"/>	<input type="checkbox"/>	25.0#	N/A	370	409	421	370	421	421	471	497	524	548	
	Upholstered Seat/Back	SSNAUB	<input type="checkbox"/>	<input type="checkbox"/>	<input type="checkbox"/>	<input type="checkbox"/>	25.0#	N/A	440	474	491	440	491	491	540	567	593	617	
 Sled Base Cantilever Arm Chair • Flex back • Stacking	Polypropylene	SSCAP	<input type="checkbox"/>	<input type="checkbox"/>	<input type="checkbox"/>	<input type="checkbox"/>	24.0#	\$ 366											
	Upholstered Seat	SSCAU	<input type="checkbox"/>	<input type="checkbox"/>	<input type="checkbox"/>	<input type="checkbox"/>	27.0#	N/A	448	484	499	448	499	497	546	575	602	624	
	Upholstered Seat/Back	SSCAUB	<input type="checkbox"/>	<input type="checkbox"/>	<input type="checkbox"/>	<input type="checkbox"/>	27.0#	N/A	515	550	568	515	568	566	615	644	670	694	
			A	B	C	D	E	F											

HOW TO ORDER

Indicate the following information on order form:
 1. Quantity of each item.
 2. Model number, including options. See "How To Build a Model Number".
 3. Any special service required.

Note: • The indicates that a choice is required.
 • The absence of the indicates that no choice is required.
 • Alpha-numeric characters in place of indicate that no other alternatives are available.

HOW TO BUILD A MODEL NUMBER

- A** Select basic model.
- B** Select frame color. Refer to the **Product Color Options** page in this price list.
- C** Select poly seat and back color. Refer to the **Product Color Options** page in this price list.
- D** Select glide option.

NG	- No glides
GFT	- Felt glides
GBL	- Black plastic glides
NS	- Non-skid glides
GSS	- Stainless steel glide
- E** Select fire code.

NFR	- Compliance to TB 117-2013
FR	- Compliance to TB 133
- F** Select upholstery grade/color. Refer to ki.com/fabrics

UPHOLSTERY INFORMATION

C.O.M. Upholstery
 C.O.M. requirement for 10 chairs or less with upholstered seat or upholstered seat and back is 3/4 yard per chair of 54" wide nondirectional fabric. For orders of 11 or more with upholstered seat and back. For complete information on ordering C.O.M. see "Ordering Customer's Own Material (C.O.M) Upholstery." section.

OPTIONS

- California TB133 Fire Safety Code**
 For California Technical Bulletin 133 compliant models, add the following upcharge:

 Model=Polypropylene
 Added List Price=\$13

 Model=Upholstered Seat
 Added List Price=\$91

 Model=Upholstered Seat and Back
 Added List Price=\$129



SPECIAL SERVICES

Special Carton Marking
 With specially marked information N/C

Shipping
 Ships **assembled, FOB Green Bay, WI 54302, freight prepaid.** Freight class 125.

 Specifications and prices are subject to change without prior notice.



MODEL	Features	MODEL NUMBER							Approx. Packaged Weight	Delivered Pricing Unupholstered	Delivered Pricing Fabric Grade 1 & C.O.M.	Delivered Pricing Fabric Grade 2	Delivered Pricing Fabric Grade 3	Delivered Pricing C.O.V.	Delivered Pricing Vinyl Group 2V	Delivered Pricing Pallas Fabric Group P0	Delivered Pricing Pallas Fabric Group P1	Delivered Pricing Pallas Fabric Group P2	Delivered Pricing Pallas Fabric Group P3	Delivered Pricing Pallas Fabric Group P4
		Basic Model	Frame Color	Seat & Back Color	Glide Option	Tablet Arm Color	Fire Code	Upholstery Color												
 <p>Sled Base Tablet Arm Chair • Flex back • NONSTACKING</p>	Polypropylene, Left Hand	SSTAPLH	<input type="checkbox"/>	<input type="checkbox"/>	<input type="checkbox"/>	<input type="checkbox"/>	<input type="checkbox"/>		31.0#	\$ 548										
	Polypropylene, Right Hand	SSTAPRH	<input type="checkbox"/>	<input type="checkbox"/>	<input type="checkbox"/>	<input type="checkbox"/>	<input type="checkbox"/>		31.0#	548										
	Uph. Seat, Left Hand	SSTAULH	<input type="checkbox"/>	<input type="checkbox"/>	<input type="checkbox"/>	<input type="checkbox"/>	<input type="checkbox"/>	<input type="checkbox"/>	33.0#	N/A	631	667	686	631	686	680	731	761	784	809
	Uph. Seat, Right Hand	SSTAURH	<input type="checkbox"/>	<input type="checkbox"/>	<input type="checkbox"/>	<input type="checkbox"/>	<input type="checkbox"/>	<input type="checkbox"/>	33.0#	N/A	631	667	686	631	686	680	731	761	784	809
	Upholstered Seat/Back	SSTAUBLH	<input type="checkbox"/>	<input type="checkbox"/>	<input type="checkbox"/>	<input type="checkbox"/>	<input type="checkbox"/>	<input type="checkbox"/>	33.0#	N/A	698	735	755	698	755	750	800	832	853	878
	Upholstered Seat/Back	SSTAUBRH	<input type="checkbox"/>	<input type="checkbox"/>	<input type="checkbox"/>	<input type="checkbox"/>	<input type="checkbox"/>	<input type="checkbox"/>	33.0#	N/A	698	735	755	698	755	750	800	832	853	878
SSP																				
SSU																				
SSUB																				
 <p>Sled Base Oversize Tablet Arm Chair • Oversized tablet • Flex back • NONSTACKING</p>	Polypropylene, Left Hand	SSOVTAPLH	<input type="checkbox"/>	<input type="checkbox"/>	<input type="checkbox"/>	<input type="checkbox"/>	<input type="checkbox"/>		31.0#	\$ 631										
	Polypropylene, Right Hand	SSOVTAPRH	<input type="checkbox"/>	<input type="checkbox"/>	<input type="checkbox"/>	<input type="checkbox"/>	<input type="checkbox"/>		31.0#	631										
	Uph. Seat, Left Hand	SSOVTaulH	<input type="checkbox"/>	<input type="checkbox"/>	<input type="checkbox"/>	<input type="checkbox"/>	<input type="checkbox"/>	<input type="checkbox"/>	33.0#	N/A	712	748	767	712	767	762	811	840	866	889
	Uph. Seat, Right Hand	SSOVTaurH	<input type="checkbox"/>	<input type="checkbox"/>	<input type="checkbox"/>	<input type="checkbox"/>	<input type="checkbox"/>	<input type="checkbox"/>	33.0#	N/A	712	748	767	712	767	762	811	840	866	889
	Uph. Seat/Back, Left Hand	SSOVTaublH	<input type="checkbox"/>	<input type="checkbox"/>	<input type="checkbox"/>	<input type="checkbox"/>	<input type="checkbox"/>	<input type="checkbox"/>	33.0#	N/A	781	815	836	781	836	833	880	910	934	958
	Uph. Seat/Back, Right Hand	SSOVTaubrh	<input type="checkbox"/>	<input type="checkbox"/>	<input type="checkbox"/>	<input type="checkbox"/>	<input type="checkbox"/>	<input type="checkbox"/>	33.0#	N/A	781	815	836	781	836	833	880	910	934	958
SSP																				
SSU																				
SSUB																				

A B C D E F G

HOW TO ORDER

Indicate the following information on order form:
 1. Quantity of each item.
 2. Model number, including options. See "How To Build a Model Number".
 3. Any special service required.

Note: • The indicates that a choice is required.
 • The absence of the indicates that no choice is required.
 • Alpha-numeric characters in place of indicate that no other alternatives are available.

HOW TO BUILD A MODEL NUMBER

- A** Select basic model.
- B** Select frame color. Refer to the **Product Color Options** page in this price list.
- C** Select poly seat and back color. Refer to the **Product Color Options** page in this price list.
- D** Select glide option.
 - NG** - No glides
 - GFT** - Felt glides
 - GBL** - Black plastic glides
 - NS** - Non-skid glides
 - GSS** - Stainless steel glide
- E** Select tablet arm color. Refer to the **Product Color Options** page in this price list.

- F** Select fire code.
 - NFR** - Compliance to TB 117-2013
 - FR** - Compliance to TB 133

- G** Select upholstery grade/color. Refer to ki.com/fabrics

UPHOLSTERY INFORMATION

C.O.M. Upholstery
 C.O.M. requirement for 10 chairs or less with upholstered seat or upholstered seat and back is 3/4 yard per chair of 54" wide nondirectional fabric. For orders of 11 or more with upholstered seat and back. For complete information on ordering C.O.M. see "Ordering Customer's Own Material (C.O.M) Upholstery." section.

OPTIONS

- California TB133 Fire Safety Code**
 For California Technical Bulletin 133 compliant models, add the following upcharge:

 Model=Polypropylene
 Added List Price=\$13

 Model=Upholstered Seat
 Added List Price=\$91

 Model=Upholstered Seat and Back
 Added List Price=\$129

SPECIAL SERVICES

Special Carton Marking
 With specially marked information N/C

Shipping
 Ships assembled, FOB Green Bay, WI 54302, freight prepaid. Freight class 125.

 Specifications and prices are subject to change without prior notice.



Features	MODEL NUMBER							Approx. Packaged Weight	Delivered Pricing Unupholstered	Delivered Pricing Fabric Grade 1 & C.O.M.	Delivered Pricing Fabric Grade 2	Delivered Pricing Fabric Grade 3	Delivered Pricing C.O.V.	Delivered Pricing Vinyl Group 2V	Delivered Pricing Pallas Fabric Group P0	Delivered Pricing Pallas Fabric Group P1	Delivered Pricing Pallas Fabric Group P2	Delivered Pricing Pallas Fabric Group P3
	Basic Model	Frame Color	Seat & Back Color	Glide Option	Tablet Arm Color	Fire Code	Upholstery Color											
Polypropylene, Left Hand	SSCUTAPLH	<input type="checkbox"/>	<input type="checkbox"/>	<input type="checkbox"/>	<input type="checkbox"/>	<input type="checkbox"/>	<input type="checkbox"/>	35.0#	\$ 759									
Polypropylene, Right Hand	SSCUTAPRH	<input type="checkbox"/>	<input type="checkbox"/>	<input type="checkbox"/>	<input type="checkbox"/>	<input type="checkbox"/>	<input type="checkbox"/>	35.0#	759									
Upholstered Seat, Left Hand	SSCUTAULH	<input type="checkbox"/>	<input type="checkbox"/>	<input type="checkbox"/>	<input type="checkbox"/>	<input type="checkbox"/>	<input type="checkbox"/>	37.5#	N/A	840	879	891	840	891	891	941	967	994
Upholstered Seat, Right Hand	SSCUTAURH	<input type="checkbox"/>	<input type="checkbox"/>	<input type="checkbox"/>	<input type="checkbox"/>	<input type="checkbox"/>	<input type="checkbox"/>	37.5#	N/A	840	879	891	840	891	891	941	967	994
Upholstered Seat/Back, Left Hand	SSCUTAUBLH	<input type="checkbox"/>	<input type="checkbox"/>	<input type="checkbox"/>	<input type="checkbox"/>	<input type="checkbox"/>	<input type="checkbox"/>	38.7#	N/A	908	944	960	908	960	960	1010	1037	1063
Upholstered Seat/Back, Right Hand	SSCUTAUBRH	<input type="checkbox"/>	<input type="checkbox"/>	<input type="checkbox"/>	<input type="checkbox"/>	<input type="checkbox"/>	<input type="checkbox"/>	38.7#	N/A	908	944	960	908	960	960	1010	1037	1063
<p>SSP</p> <p>SSU</p> <p>SSUB</p> <p>Sled Base ChangeUp Tablet Arm Chair</p> <ul style="list-style-type: none"> Flexing Back Large work surface (21"W x 13.3"D) Work surface flips and folds Work surface has 20 degrees of ingress/egress movement Work surface rated to 250 pounds Chair rated to 400 pounds 																		
<p>A B C D E F G</p>																		

HOW TO ORDER

Indicate the following information on order form:

- Quantity of each item.
- Model number, including options. See "How To Build a Model Number".
- Any special service required.

Note:

- The indicates that a choice is required.
- The absence of the indicates that no choice is required.
- Alpha-numeric characters in place of indicate that no other alternatives are available.

HOW TO BUILD A MODEL NUMBER

- A**Select basic model.
- B**Select frame color. Refer to the **Product Color Options** page in this price list.
- C**Select poly seat and back color. Refer to the **Product Color Options** page in this price list.
- D**Select glide option.
NG - No glides
GFT - Felt glides
GBL - Black plastic glides
NS - Non-skid glides
GSS - Stainless steel glide
- E**Select tablet arm color. Refer to the **Product Color Options** page in this price list.

- F**Select fire code.
FR - Compliance to TB 133
NFR - Compliance to TB 117-2013
 See Upholstery Information for TB133 upcharge.

- G**Select upholstery grade/color. Refer to ki.com/fabrics

UPHOLSTERY INFORMATION

C.O.M. Upholstery
 C.O.M. requirement for 10 chairs or less with upholstered seat or upholstered seat and back is 3/4 yard per chair of 54" wide nondirectional fabric. For orders of 11 or more with upholstered seat and back. For complete information on ordering C.O.M. see "Ordering Customer's Own Material (C.O.M) Upholstery." section.

OPTIONS

California TB133 Fire Safety Code
 For California Technical Bulletin 133 compliant models, add the following upcharge:

Model=Polypropylene
 Added List Price=\$13

Model=Upholstered Seat
 Added List Price=\$91

Model=Upholstered Seat and Back
 Added List Price=\$129

SPECIAL SERVICES

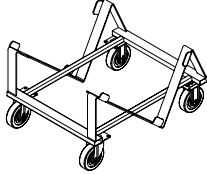
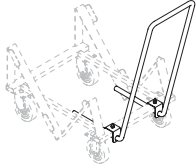
Special Carton Marking

With specially marked information N/C

Shipping
 Ships **assembled, FOB Green Bay, WI 54302, freight prepaid.** Freight class 125.

Specifications and prices are subject to change without prior notice.



MODEL	MODEL NUMBER		Approx. Packaged Weight	Delivered Pricing
	Basic Model			
 <p>Transport Dolly for 4-Leg and Sled Base Chairs</p> <ul style="list-style-type: none"> • Easy maneuverability with 5" casters: two fixed, two swivel • Rugged weld tubular steel frame • Black powder-coated finish 	SCDA.BL		31.0#	\$ 559
HRDPT				
 <p>Universal Dolly Handle</p> <ul style="list-style-type: none"> • Field installable • Provides convenient handle for relocating dolly when empty or loaded • Overall dolly height with handle is 37" 	UDH.BL		8.0#	\$ 199
HRDPT				

A

HOW TO ORDER

- Indicate the following information on order form:
1. Quantity of each item.
 2. Model number, including options. See "How To Build a Model Number".
 3. Any special service required.

Note:

- The indicates that a choice is required.
- The absence of the indicates that no choice is required.
- Alpha-numeric characters in place of indicate that no other alternatives are available.

HOW TO BUILD A MODEL NUMBER

A Select basic model.

SPECIAL SERVICES

Special Carton Marking




With specially marked information N/C

Shipping

Ships **assembled, FOB Green Bay, WI 54302, freight prepaid.** Freight class 125.

Specifications and prices are subject to change without prior notice.



MODEL	Features	MODEL NUMBER							Approx. Packaged Weight	Delivered Pricing Unupholstered	Delivered Pricing Fabric Grade 1 & C.O.M.	Delivered Pricing Fabric Grade 2	Delivered Pricing Fabric Grade 3	Delivered Pricing C.O.V.	Delivered Pricing Vinyl Group 2V	Delivered Pricing Pallas Fabric Group P0	Delivered Pricing Pallas Fabric Group P1	Delivered Pricing Pallas Fabric Group P2	Delivered Pricing Pallas Fabric Group P3	Delivered Pricing Pallas Fabric Group P4
		Basic Model	Seat Height	Frame Color	Seat & Back Color	Glide Option	Fire Code	Upholstery Color												
 SLSP SLSU SLSUB	Four-Leg Armless Cafe Stool • Flex back • Stacking • Two seat heights	Polypropylene	SLSNAP	<input type="checkbox"/>	<input type="checkbox"/>	<input type="checkbox"/>	<input type="checkbox"/>	<input type="checkbox"/>	31.0#	\$ 379										
	Upholstered Seat	SLSNAU	<input type="checkbox"/>	<input type="checkbox"/>	<input type="checkbox"/>	<input type="checkbox"/>	<input type="checkbox"/>	<input type="checkbox"/>	33.0#	N/A	461	499	517	461	517	515	565	592	618	643
	Upholstered Seat/Back	SLSNAUB	<input type="checkbox"/>	<input type="checkbox"/>	<input type="checkbox"/>	<input type="checkbox"/>	<input type="checkbox"/>	<input type="checkbox"/>	33.0#	N/A	532	568	585	532	585	583	633	660	689	712
 SLSP SLSU SLSUB	Four-Leg Cantilever Arm Cafe Stool • Flex back • Stacking • Two seat heights	Polypropylene	SLSCAP	<input type="checkbox"/>	<input type="checkbox"/>	<input type="checkbox"/>	<input type="checkbox"/>	<input type="checkbox"/>	33.0#	\$ 458										
	Upholstered Seat	SLSCAU	<input type="checkbox"/>	<input type="checkbox"/>	<input type="checkbox"/>	<input type="checkbox"/>	<input type="checkbox"/>	<input type="checkbox"/>	35.0#	N/A	538	576	593	538	593	592	642	667	694	718
	Upholstered Seat/Back	SLSCAUB	<input type="checkbox"/>	<input type="checkbox"/>	<input type="checkbox"/>	<input type="checkbox"/>	<input type="checkbox"/>	<input type="checkbox"/>	35.0#	N/A	607	645	662	607	662	658	710	735	764	788
 SLSP SLSU SLSUB	Four-Leg Loop Arm Cafe Stool • Flex back • NONSTACKING • Two seat heights	Polypropylene	SLSLAP	<input type="checkbox"/>	<input type="checkbox"/>	<input type="checkbox"/>	<input type="checkbox"/>	<input type="checkbox"/>	35.0#	\$ 473										
	Upholstered Seat	SLSLAU	<input type="checkbox"/>	<input type="checkbox"/>	<input type="checkbox"/>	<input type="checkbox"/>	<input type="checkbox"/>	<input type="checkbox"/>	37.0#	N/A	554	593	609	554	609	607	656	686	712	733
	Upholstered Seat/Back	SLSLAUB	<input type="checkbox"/>	<input type="checkbox"/>	<input type="checkbox"/>	<input type="checkbox"/>	<input type="checkbox"/>	<input type="checkbox"/>	37.0#	N/A	624	662	678	624	678	676	725	755	781	804

A **B** **C** **D** **E** **F** **G**

HOW TO ORDER

- Indicate the following information on order form:
- Quantity of each item.
 - Model number, including options. See "How To Build a Model Number".
 - Any special service required.

Note: • The indicates that a choice is required.
 • The absence of the indicates that no choice is required.
 • Alpha-numeric characters in place of indicate that no other alternatives are available.

HOW TO BUILD A MODEL NUMBER

- A** Select basic model.
- B** Select seat height.
 24 - 24" Seat Height
 30 - 30" Seat Height
- C** Select frame color.
 Refer to the **Product Color Options** page in this price list.
- D** Select poly seat and back color.
 Refer to the **Product Color Options** page in this price list.
- E** Select glide option.
 F - Felt Glides
 P - Plastic glides
 S - Steel glides
- F** Select fire code.
 FR - Compliance to TB 133
 NFR - Compliance to TB 117-2013

G Select upholstery grade/color.
 Refer to ki.com/fabrics

UPHOLSTERY INFORMATION

C.O.M. Upholstery
 C.O.M. requirement for 10 chairs or less with upholstered seat or upholstered seat and back is 3/4 yard per chair of 54" wide nondirectional fabric. For orders of 11 or more with upholstered seat and back. For complete information on ordering C.O.M. see "Ordering Customer's Own Material (C.O.M) Upholstery." section.

OPTIONS

- California TB133 Fire Safety Code**
 For California Technical Bulletin 133 compliant models, add the following upcharge:
- Model=Polypropylene
 Added List Price=\$13
 - Model=Upholstered Seat
 Added List Price=\$91
 - Model=Upholstered Seat and Back
 Added List Price=\$129

SPECIAL SERVICES

- Special Carton Marking**
 With specially marked information N/C
- Shipping**
 Ships **assembled, FOB Green Bay, WI 54302, freight prepaid.** Freight class 125.
- Specifications and prices are subject to change without prior notice.



**High Density Stacking Chair
with Poly Seat
(SWNA)**



**High Density Stacking Chair
with Uph. Seat Pad
(SWNAU)**

Features		
Stackable	•	•
Poly or upholstered seat	•	•
Flex back	•	•
General Dimensions		
Seat width	17-3/4"	17-3/4"
Seat depth	18-1/2"	18-1/2"
Seat height	18"	18"
Tablet to chair back clearance		
Overall Dimensions		
Width	19-1/2"	19-1/2"
Depth	22-1/4"	22-1/4"
Height	32-1/2"	32-1/2"
Stacking on Dolly		
Overall width	22-1/2"	22-1/2"
Overall depth	45"	39"
Quantity/height	30 Chairs/77" High	15 Chairs/65" High
Stacking on Floor		
Width	19-1/2"	19-1/2"
Depth	29-1/2"	30"
Quantity/height	6 Chairs/37-1/2" High	5 Chairs/41" High



**High Density Stacking Stool
with Poly Seat, 24" Height
(SWSNA/24)**



**High Density Stacking Stool
with Uph Seat, 24" Height
(SWSNAU/24)**



**High Density Stacking Stool
with Poly Seat, 30" Height
(SWSNA/30)**



**High Density Stacking Stool
with Uph Seat, 30" Height
(SWSNAU/30)**

Features				
Stackable	•	•	•	•
Poly or upholstered seat	•	•	•	•
Flex back	•	•	•	•
General Dimensions				
Seat width	17-3/4"	17-3/4"	17-3/4"	17-3/4"
Seat depth	18-1/2"	18-1/2"	18-1/2"	18-1/2"
Seat height	24"	24"	30"	30"
Overall Dimensions				
Width	19-1/2"	19-1/2"	19-1/2"	19-1/2"
Depth	23-1/2"	23-1/2"	24-1/2"	24-1/2"
Height	38-1/2"	38-1/2"	44-1/2"	44-1/2"
Stacking on Dolly				
Overall width	21"	21"	21"	21"
Overall depth	49-1/2"	52"	51-1/2"	54"
Quantity/height	20 Stools/66" High	10 Stools/54-1/2" High	20 Stools/69" High	10 Stools/58" High
Stacking on Floor				
Width	19-1/2"	19-1/2"	19-1/2"	19-1/2"
Depth	31"	31"	32"	32"
Quantity/height	6 Stools/43-1/2" High	5 Stools/47" High	6 Stools/49-1/2" High	5 Stools/53" High

INFORMATION

C.O.M. Testing and Production Requirements

Not all materials are suitable for upholstering this product. A 1 yd. x 54" sample must be submitted and approved prior to acceptance of an order. If the fabric is directional in pattern or weave, the direction must be indicated on the submitted sample, and additional yardage may be requested.

Test samples must be sent to:

KI
Attn: C.O.M. Specialist
1687 Westminster Drive - Gate 3
Green Bay, WI 54302

Fabric Disclaimer

Fabric will be applied as swatched by the fabric manufacturer. Fabric that is required to be applied differently than is swatched will need a Modified Product Request written specifying the direction the fabric is to be applied.

Design

Designed by Giancarlo Piretti and manufactured in the USA by Krueger International, Inc. under license from Pro-Cord S.p.A

KI Color Match Program

KI offers the additional option of color matching paint, polypropylene, or wood stain through Product Modification Requests. Contact Customer Service for details.

Whatever you imagine, whatever you require, KI's Color Match program lets you pick your color!

Color Match Process - Poly Seating Information can be found here.

INFORMATION

Warranty

Refer to KI Terms & Conditions document or visit ki.com


**Transport Dolly for Chairs
(CSD.BL)**
**Transport Dolly for Stools
(WSSD.BL)**

Overall Dimensions		
Width	22-3/8"	21"
Depth	25-5/8"	26-1/2"

TECHNICAL SPECIFICATIONS

Seat

Injection-molded polypropylene seat.

Backrest

Injection molded polypropylene with integral steel cantilever springs. The combination of the slotted polypropylene back and the spring steel provides a supportive flexing back. Springs are nominal 4.5 mm diameter chrome silicon valve spring wire. Top of backrest has an integral handle for ease of lifting and stacking.

Chair & Stool Frames & Finishes

7/16" solid steel rod, all joints welded. Finished in bright nickel-chrome or with electrostatically-applied epoxy powder-coat paint.

Optional Upholstered Seat

Molded urethane foam (soy based) is attached to an injection-molded polypropylene seat board, the upholstered using a draw-string process. The assembled seat pad is attached to the seat by means of hidden fasteners. Note: upholstered seat is required with translucent poly backs.

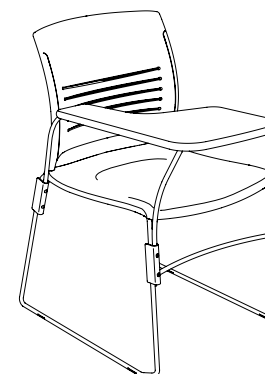
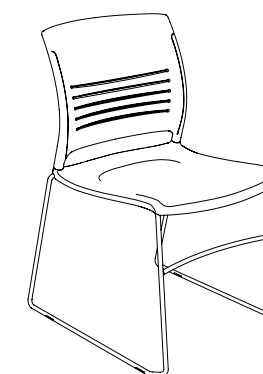
Transport Dolly

Tubular and plate steel welded together. 5" casters: two fixed, two swivel. Powder-coated finish.

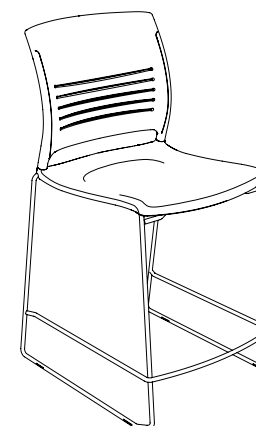
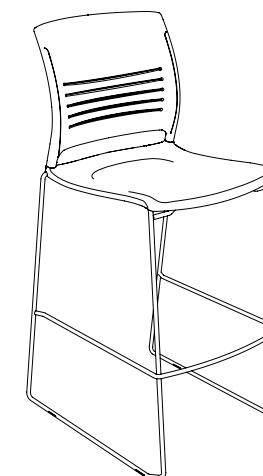
STATEMENT OF LINE

All models are available in polypropylene seat/backrest or upholstered seat/polypropylene backrest.

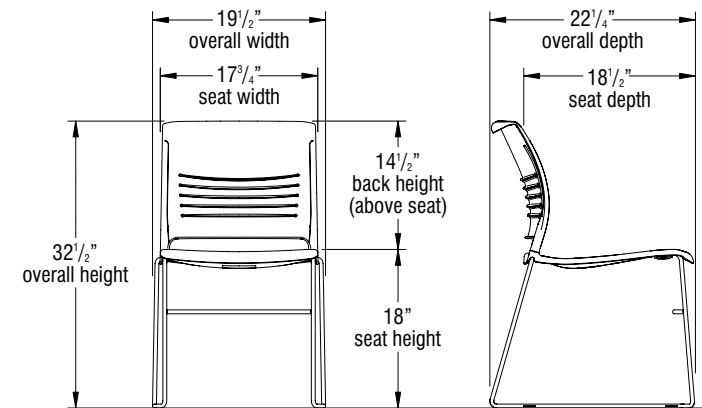
Strive High-Density Sled Base Stack Chair


SWNA with SWTAR

SWNA

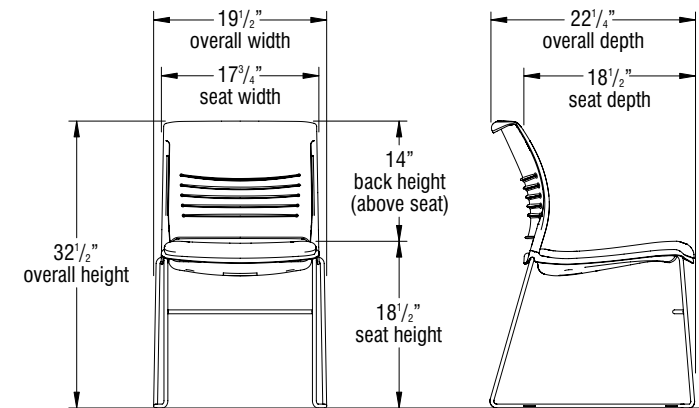
Strive High-Density Sled Base Stack Stools


SWSNAP24

SWSNAP30

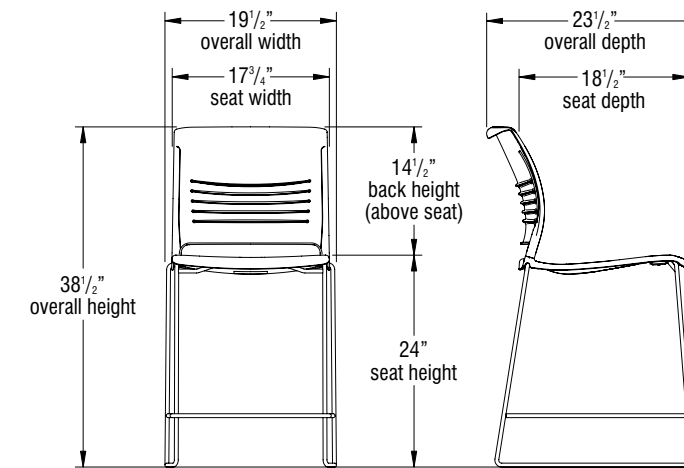
Strive High-Density Sled Base Chair -
Polypropylene Seat & Backrest



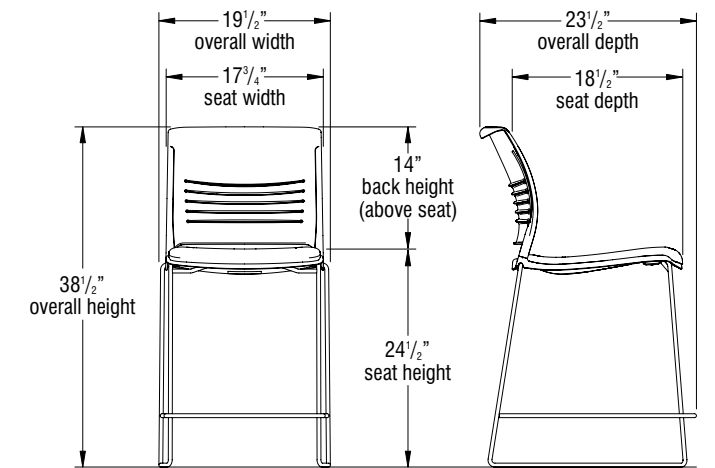
Strive High-Density Sled Base Chair -
Upholstered Seat & Polypropylene Backrest



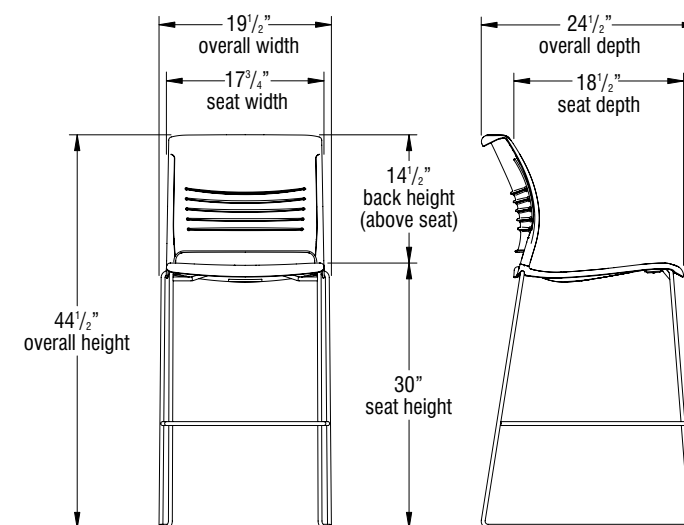
Strive High-Density 24" Sled Base Stool -
Polypropylene Seat & Backrest



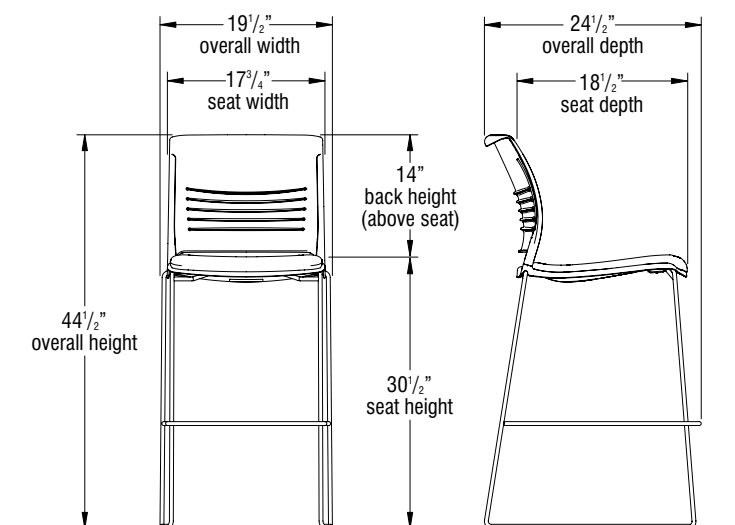
Strive High-Density 24" Sled Base Stool -
Upholstered Seat & Polypropylene Backrest



Strive High-Density 30" Sled Base Stool -
Polypropylene Seat & Backrest



Strive High-Density 30" Sled Base Stool -
Upholstered Seat & Polypropylene Backrest



**Frame Color**

Black
Blue Grey
Bronze Metallic
Cayenne
Champagne Metallic
Chrome
Cool Grey
Cottonwood
Earthen Clay
Espresso Metallic
Everglade Shade
Flannel
Glitz Metallic
Hazy Jade
Honey Bee
Light Tone
Mardi Gras
Misty Brown
Nemo
Nordic
Poppy Red
Purple Haze
Rainforest
Raw Jasper
Rubber Ducky
Sand
Sky Blue
Starlight Silver Metallic
Surf's Up
Tarragon
Twilight Shadow
Ultra Blue
Warm Grey
Zesty Lime

Armcaps and glides match the frame color with the following exceptions:

-When frame color is chrome or metallic, the armcaps and glides will match poly color.

-When back is diamond translucent, armcaps are light tone.

-When back is pewter translucent, armcaps are flannel.

Casters for four-leg chairs are always black.

Seat and Back Color - Polypropylene**Non Flame-Retardant**

BL	Black	PBL
GR	Blue Grey	PGR
ZM	Cayenne	PCY
CY	Cool Grey	PCG
CM	Cottonwood	PCO
CH	Diamond Translucent*	PDT
CG	Earthen Clay	PEY
CO	Everglade Shade	PEV
EO	Flannel	PFN
EY	Hazy Jade	PHJ
EX	Honey Bee	PHY
EV	Light Tone	PLG
FN	Mardi Gras	PMG
FN	Misty Brown	PMY
GZ	Nemo	PNE
HJ	Nordic	PND
HJ	Pewter Translucent*	PPT
HY	Poppy Red	PPR
LG	Purple Haze	PPH
MG	Rainforest	PRQ
MY	Raw Jasper	PRJ
NE	Rubber Ducky	PRK
ND	Sand	PSA
PR	Sky Blue	PSK
PH	Surf's Up	PSP
PH	Tarragon	PTQ
RQ	Twilight Shadow	PTI
RJ	Ultra Blue	PUB
RK	Warm Grey	PWG
SA	Zesty Lime	PZL
SA		
SK		
SX		
SP		
TQ		
TI		
UB		
WG		
ZL		

*Diamond Translucent and Pewter Translucent are only available on upholstered seat models.

Seat and Back Color - Polypropylene**Flame-Retardant**

Black	PBL
-------	-----

The above seating product can be manufactured using the appropriate flame-retardant materials for compliance to California Technical Bulletin 133.

*NOTE: When FR upholstery is selected, FR poly (black only) must be selected. NFR poly is not available with FR upholstery.

Finish Cards

View color swatches for items listed within this document.

Paints

Wood/Veneer

Molded Edges

Hard Plastics

Plastics/Poly


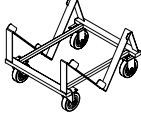
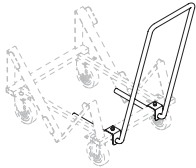
Laminates

Edge Styles

Glass

Certain options referenced may not be available on GSA Schedule.



MODEL	Features	MODEL NUMBER						Approx. Packaged Weight	Delivered Pricing Unupholstered	Delivered Pricing Fabric Grade 1 & C.O.M.	Delivered Pricing Fabric Grade 2	Delivered Pricing Fabric Grade 3	Delivered Pricing Vinyl Group 2V	Delivered Pricing Pallas Fabric Group P0	Delivered Pricing Pallas Fabric Group P1	Delivered Pricing Pallas Fabric Group P2	Delivered Pricing Pallas Fabric Group P3	Delivered Pricing Pallas Fabric Group P4
		Basic Model	Frame Color	Seat & Back Color	Upholstery Color	Glide Option	Fire Code											
 Armless Chair • Flex back	Polypropylene	SWNA	<input type="checkbox"/>	<input type="checkbox"/>		<input type="checkbox"/>	<input type="checkbox"/>	17.0#	\$ 249									
	Upholstered Seat	SWNAU	<input type="checkbox"/>	<input type="checkbox"/>	<input type="checkbox"/>	<input type="checkbox"/>	<input type="checkbox"/>	17.0#	N/A	332	370	384	384	383	431	460	488	512
SWSCP SWSCU																		
 Transport Dolly - Chair • Accommodates up to 30 poly chairs or 15 upholstered chairs • Easy maneuverability with 5" casters: two fixed, two swivel • Black powder-coated finish		CSD.BL						30.0#	\$ 553									
HRDPT																		
 Universal Dolly Handle • Field installable • Provides convenient handle for relocating dolly when empty or loaded • Overall dolly height with handle is 37"		UDH.BL						8.0#	\$ 199									
HRDPT																		

A **B** **C** **D** **E** **F**

HOW TO ORDER

- Indicate the following information on order form:
- Quantity of each item.
 - Model number, including options. See "How To Build a Model Number".
 - Any special service required.

Note: • The indicates that a choice is required.
 • The absence of the indicates that no choice is required.
 • Alpha-numeric characters in place of indicate that no other alternatives are available.

HOW TO BUILD A MODEL NUMBER

- A** Select basic model.
- B** Select frame color. Refer to the **Product Color Options** page in this price list.
- C** Select seat and back color. Refer to the **Product Color Options** page in this price list.
- D** Select upholstery grade/color. Refer to ki.com/fabrics
- E** Select glide option.
 - G** - Ganging polycarbonate glides
 - GS** - Ganging steel glides
 - NG** - No glides
 - F** - Replaceable Felt Glides
 - H** - Polycarbonate glides
 - NS** - PVC non-skid glides
 - S** - Stainless steel glides

- F** Select fire code.
 - NFR** - Compliance to TB 117-2013
 - FR** - Compliance to TB 133

UPHOLSTERY INFORMATION

C.O.M. Upholstery
 C.O.M. requirement for 10 chairs or less with upholstered seat or upholstered seat and back is 3/4 yard per chair of 54" wide nondirectional fabric. For orders of 11 or more with upholstered seat and back. For complete information on ordering C.O.M. see "Ordering Customer's Own Material (C.O.M) Upholstery." section.

OPTIONS

California TB133 Fire Safety Code
 For California Technical Bulletin 133 compliant models, add the following upcharge:
 Model=Polypropylene
 Added List Price=\$13
 Model=Upholstered Seat
 Added List Price=\$91


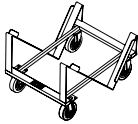
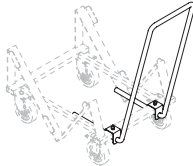
SPECIAL SERVICES

Special Carton Marking
 With specially marked information N/C

Shipping
 Ships **assembled, FOB Green Bay, WI 54302, freight prepaid.** Freight class 125.

Specifications and prices are subject to change without prior notice.



MODEL	Features	MODEL NUMBER							Approx. Packaged Weight	Delivered Pricing Unupholstered	Delivered Pricing Fabric Grade 1 & C.O.M.	Delivered Pricing Fabric Grade 2	Delivered Pricing Fabric Grade 3	Delivered Pricing Vinyl Group 2V	Delivered Pricing Pallas Fabric Group P0	Delivered Pricing Pallas Fabric Group P1	Delivered Pricing Pallas Fabric Group P2	Delivered Pricing Pallas Fabric Group P3	Delivered Pricing Pallas Fabric Group P4
		Basic Model	Seat Height	Frame Color	Seat & Back Color	Upholstery Color	Glide Option	Fire Code											
 SWSSP SWSSU Armless Stool • Flex Back • Two seat heights (24" & 30") • 24" H stool specified for use with 36" H tables • 30" H stool specified for use with 42" H tables	Polypropylene	SWSNA	<input type="checkbox"/>	<input type="checkbox"/>	<input type="checkbox"/>		<input type="checkbox"/>	<input type="checkbox"/>	21.0#	\$ 374									
	Upholstered Seat	SWSNAU	<input type="checkbox"/>	<input type="checkbox"/>	<input type="checkbox"/>	<input type="checkbox"/>	<input type="checkbox"/>	<input type="checkbox"/>	21.0#	N/A	456	495	509	509	508	554	584	612	636
 HRDPT Transport Dolly - Stool • Accommodates up to 20 poly stools or 10 upholstered stools • Easy maneuverability with 5" casters: two fixed, two swivel • Black powder-coated finish		WSSD.BL							31.0#	\$ 559									
 HRDPT Universal Dolly Handle • Field installable • Provides convenient handle for relocating dolly when empty or loaded • Overall dolly height with handle is 37"		UDH.BL							8.0#	\$ 199									

A **B** **C** **D** **E** **F** **G**

HOW TO ORDER

- Indicate the following information on order form:
- Quantity of each item.
 - Model number, including options. See "How To Build a Model Number".
 - Any special service required.

Note: • The indicates that a choice is required.
 • The absence of the indicates that no choice is required.
 • Alpha-numeric characters in place of indicate that no other alternatives are available.

HOW TO BUILD A MODEL NUMBER

- A** Select basic model.
- B** Select seat height.
 24 - 24" Seat Height
 30 - 30" Seat Height
- C** Select frame color.
 Refer to the **Product Color Options** page in this price list.
- D** Select seat and back color.
 Refer to the **Product Color Options** page in this price list.
- E** Select upholstery grade/color.
 Refer to ki.com/fabrics
- F** Select glide option.
 G - Ganging polycarbonate glides
 GS - Ganging steel glides
 NG - No glides
 H - Polycarbonate glides
 NS - PVC non-skid glides

- S** - Stainless steel glides
- G** Select fire code.
 FR - Compliance to TB 133
 NFR - Compliance to TB 117-2013

UPHOLSTERY INFORMATION

C.O.M. Upholstery
 C.O.M. requirement for 10 chairs or less with upholstered seat or upholstered seat and back is 3/4 yard per chair of 54" wide nondirectional fabric. For orders of 11 or more with upholstered seat and back. For complete information on ordering C.O.M. see "Ordering Customer's Own Material (C.O.M) Upholstery." section.

OPTIONS

California TB133 Fire Safety Code
 For California Technical Bulletin 133 compliant models, add the following upcharge:
 Model=Polypropylene
 Added List Price=\$13
 Model=Upholstered Seat
 Added List Price=\$91

SPECIAL SERVICES

Special Carton Marking
 With specially marked information N/C
Shipping
 Ships **assembled, FOB Green Bay, WI 54302, freight prepaid.** Freight class 125.
 Specifications and prices are subject to change without prior notice.



**Cantilever Armchair
(SNCAU)**



**Armless Chair
(SNNAP)**



Tablet Arm Chair (SNTAURH)

Oversize Tablet Arm Chair

Features				
Poly or upholstered seat	•	•	•	•
Flex back	•	•	•	•
Flip-up seat	•	•	•	•
Integral handle	•	•	•	•
Nesting	•	•	•	•
General Dimensions				
Seat width	17"	17"	17"	17"
Seat depth	18"	18"	18"	18"
Seat height (upholstered add 1")	16-1/2"	16-1/2"	16-1/2"	16-1/2"
Tablet to chair back clearance			14"	14"
Overall Dimensions				
Width	23"	23"	24"	24"
Depth	22-3/4"	22-3/4"	29"	32"
Height	33-3/4"	33-3/4"	33-3/4"	33-3/4"
Top of arm to floor	25-1/2"		28-1/4"	28-1/4"
Nesting (two chairs) (upholstered add 1")	28-1/2"	28-1/2"	34-3/4"	37-3/4"
Nesting - For each additional chair, add 5-3/4" (upholstered add 1")				

TECHNICAL SPECIFICATIONS

Seat and Backrest

Seat is two-piece construction of injection-molded polypropylene, reinforced with internal steel channels, and assembled using hidden fasteners. The seat is available in a poly version or upholstered. For the upholstered version, molded urethane foam (1" depth) is applied to the seat board. Fabric is then upholstered over the foam using a drawstring process. Note: upholstered seat is required with translucent poly backs.

Backrest is injection-molded polypropylene with integral steel cantilever springs. The combination of the slotted polypropylene back and the spring steel provides a supportive flexing back. Springs are nominal 4.5 mm diameter chrome silicon valve spring wire. Backrest is available poly only. Backrest has an integral, molded "handle".

Seat flips up to allow chairs to nest for storage and transport.

Seat assembly and backrest are field replaceable.

Frame

The legs are 1", 13-gauge high-strength steel tubing. All frame joints are welded.

Frame Finishes

Frames are finished in either baked-on electrostatically-applied 30 gloss epoxy powder-coat paint, or bright nickel chrome plating.

Casters/Glides

Double wheels (60 mm) of high-impact thermoplastic. High-impact plastic frame. Casters are always black. Carpet or hard floor. Bell glide (2" high) made of high-impact plastic also available, black only.

Arms

Optional fixed-position T-arms are available. Arm supports are a continuation of the frame crossmember tube, with injection-molded polypropylene arm caps attached by screws. The armcaps are injection-molded glass filled polypropylene matching the frame finish (when frame finish is Chrome, hammertones, or Starlight Silver metallic, armcaps match the seat and back color; when back is Diamond translucent, armcaps are Light Tone; when back is Pewter translucent, armcaps are Flannel).

Tablet Arm

An optional tablet arm is available on either the right or left-hand side. When so equipped, the tablet arm support structure is a continuation of the frame crossmember tube. A formed steel hinge is welded to the top of the support structure and secured with screws to the underside of the writing surface. Writing surface for standard tablet is 9 1/2" x 20 3/4" x 12 1/2" and oversize tablet is 15 1/2" x 22 1/2" x 14" plywood core of 5/8" thick, 1 1-ply hardwood surfaced with .030" high-pressure laminate top and plain backer undersurface. Tablet arm flips up for easy access. Edges are lacquered and sealed.

INFORMATION

C.O.M Testing and Production Requirements

Not all materials are suitable for upholstering this product. A 3/4 yd. x 54" sample must be submitted and approved prior to acceptance of an order. If the fabric is directional in pattern or weave, the direction must be indicated on the submitted sample, and additional yardage may be requested.

Test samples must be sent to:

KI
Attn: C.O.M. Specialist
1687 Westminster Drive - Gate 3
Green Bay, WI 54302

Fabric Disclaimer

Fabric will be applied as swatched by the fabric manufacturer. Fabric that is required to be applied differently than is swatched will need a Modified Product Request written specifying the direction the fabric is to be applied.

KI Color Match Program

KI offers the additional option of color matching paint, polypropylene, or wood stain through Product Modification Requests. Contact Customer Service for details.

Whatever you imagine, whatever you require, KI's Color Match program lets you pick your color!

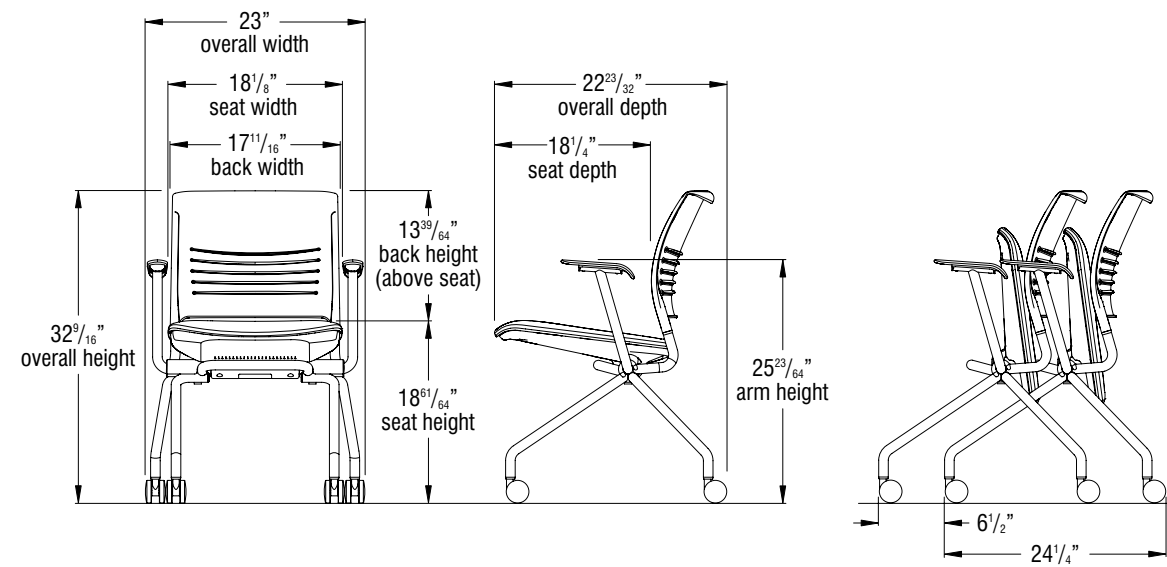
Color Match Process - Poly Seating Information can be found here.

INFORMATION

Warranty

Refer to KI Terms & Conditions document or visit ki.com

DIMENSIONS

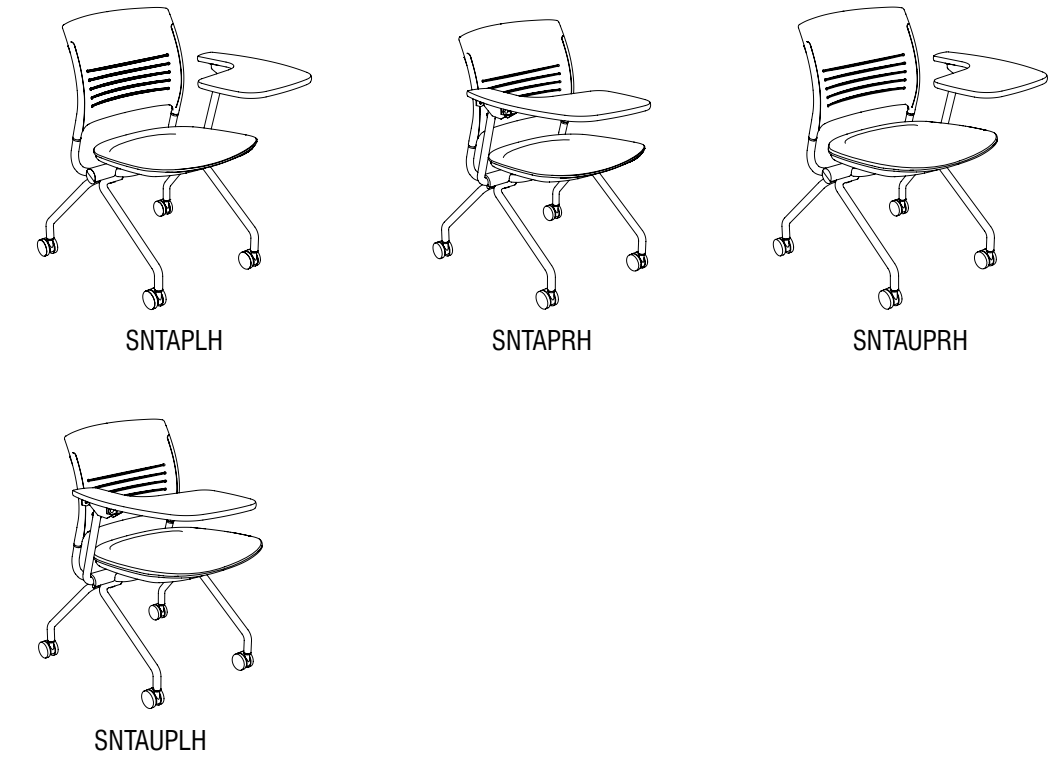


Nesting Footprint Calculation: Overall Length of a Row = 24.25" (1 chair) + 6.5" (additional chairs)

- Examples: 2 Chairs: 24.25" (1 chair) + 6.5" (1 chair) = 30.75"
- 16 Chairs: 24.25" (1 chair) + 6.5" (15 chairs) = 121.75"

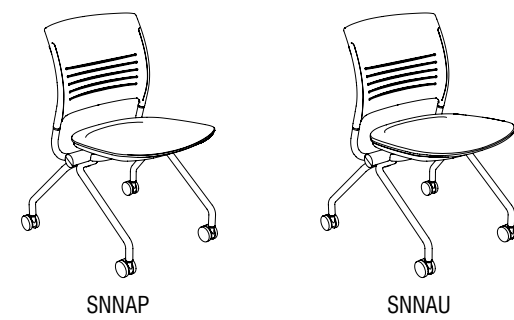
STATEMENT OF LINE

Strive Nesting Tablet Arm Chair

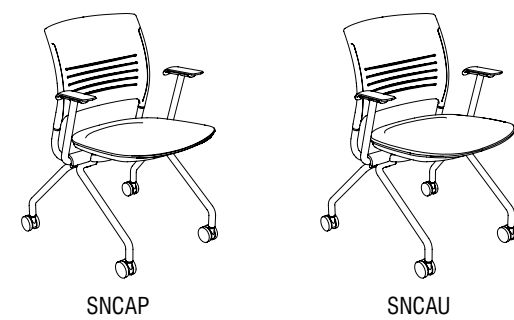


STATEMENT OF LINE

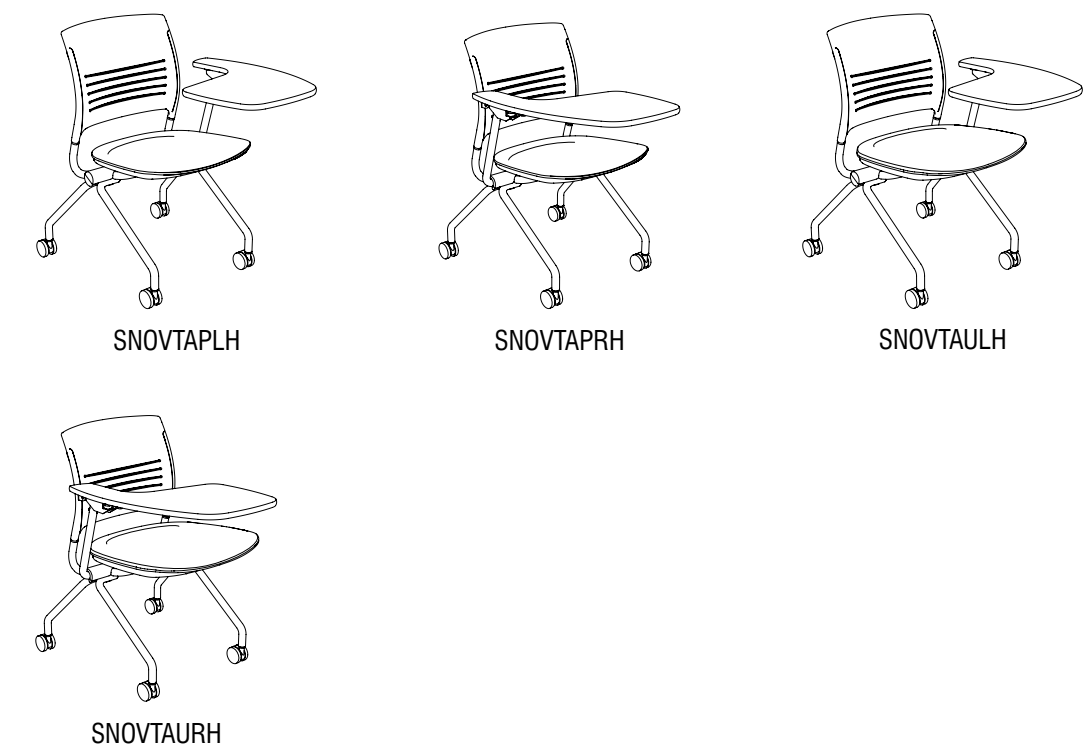
Strive Nesting Armless Chair



Strive Nesting Cantilever Armchair



Strive Nesting Oversized Tablet Arm Chair




Frame Color

Black
Blue Grey
Bronze Metallic
Cayenne
Champagne Metallic
Chrome
Cool Grey
Cottonwood
Earthen Clay
Espresso Metallic
Everglade Shade
Flannel
Glitz Metallic
Hazy Jade
Honey Bee
Light Tone
Mardi Gras
Misty Brown
Nemo
Nordic
Poppy Red
Purple Haze
Rainforest
Raw Jasper
Rubber Ducky
Sand
Sky Blue
Starlight Silver Metallic
Surf's Up
Tarragon
Twilight Shadow
Ultra Blue
Warm Grey
Zesty Lime

Armcaps and glides match the frame color with the following exceptions:
 -When frame color is chrome or metallic, the armcaps and glides will match poly color.
 -When back is diamond translucent, armcaps are light tone.
 -When back is pewter translucent, armcaps are flannel.

Casters for four-leg chairs are always black.

Seat and Back Color - Polypropylene
Non Flame-Retardant

BL	Black
GR	Black
ZM	Blue Grey
CY	Cayenne
CM	Cool Grey
CH	Cottonwood
CG	Diamond Translucent*
CO	Earthen Clay
EY	Everglade Shade
EX	Flannel
EV	Hazy Jade
FN	Honey Bee
GZ	Light Tone
HJ	Mardi Gras
HY	Misty Brown
LG	Nemo
MG	Nordic
MY	Pewter Translucent*
NE	Poppy Red
ND	Purple Haze
PR	Rainforest
PH	Raw Jasper
RQ	Rubber Ducky
RJ	Sand
RK	Sky Blue
SA	Surf's Up
SK	Tarragon
SX	Twilight Shadow
SP	Ultra Blue
TQ	Warm Grey
TI	Zesty Lime
UB	
WG	
ZL	

Seat and Back Color - Polypropylene
Flame-Retardant

PBL	Black
-----	-------

The above seating product can be manufactured using the appropriate flame-retardant materials for compliance to California Technical Bulletin 133.

*NOTE: When FR upholstery is selected, FR poly (black only) must be selected. NFR poly is not available with FR upholstery.

Tablet Arm Color - Laminate

PBL	Beigewood
PGR	Belair
PCY	Biltmore Cherry
PCG	Black
PCO	Brighton Walnut
PDT	Canyon Zephyr
PEY	Castle Oak
PEV	Casual Linen
PFN	Cherry Storm
PHJ	Classic Linen
PHY	Cloud Zephyr
PLG	Cocobala
PMG	Crisp Linen
PMY	Desert Zephyr
PNE	Designer White
PND	Dove Grey
PPT	Flax Linen
PPR	Florence Walnut
PPH	Forged Steel
PRQ	Friston Ash
PRJ	Frosty White
PRK	Graphite Nebula
PSA	Grey
PSK	High Rise
PSP	Hollyberry
PTQ	Island
PTI	Italian Silver Ash
PUB	Kensington Maple
PWG	Lapis Blue
PZL	Markerboard White
	Misted Zephyr
	Monticello Maple
	North Sea
	Ocean
	Pearl Bisque
	Pinnacle Walnut
	Pressed Linen
	River Cherry
	Satin Stainless
	Shadow Zephyr
	Silicon evolv
	Sterling Ash
	Tailored Linen
	Titanium evolv
	White Nebula
	White Sand
	Windsor Mahogany

LBZ
LBQ
LBT
LBK
LBW
LCA
LCO
LCU
LCX
LCI
LCL
LCC
LRI
LDZ
LDR
LDG
LXF
LFC
LOL
LFH
LFW
LGN
LGE
LHE
LHY
LID
LIT
LKM
LLB
LMK
LMR
LMT
LNA
LON
LPB
LPW
LPR
LRV
LSS
LSR
LSV
LAZ
LTL
LTV
LWL
LWN
LWY





Finish Cards

View color swatches for items listed within this document.

Paints
Plastics/Poly
Wood/Veneer
Laminates
Molded Edges
Edge Styles
Hard Plastics
Glass

Certain options referenced may not be available on GSA Schedule.



MODEL	MODEL NUMBER						Approx. Packaged Weight	Delivered Pricing	Delivered Pricing Fabric Grade 1 & C.O.M.	Delivered Pricing Fabric Grade 2	Delivered Pricing Fabric Grade 3	Delivered Pricing C.O.V.	Delivered Pricing Vinyl Group 2V	Delivered Pricing Pallas Fabric Group P0	Delivered Pricing Pallas Fabric Group P1	Delivered Pricing Pallas Fabric Group P2	Delivered Pricing Pallas Fabric Group P3	Delivered Pricing Pallas Fabric Group P4
	Basic Model	Frame Color	Poly Seat/Back Color	Base	Fire Code	Upholstery Color												
 Armless Chair with Poly Seat • Flex back • Nests SNP	SNNAP	<input type="checkbox"/>	<input type="checkbox"/>	<input type="checkbox"/>	<input type="checkbox"/>	<input type="checkbox"/>	23.0#	\$ 540										
 Armless Chair with Upholstered Seat • Flex back • Nests SNU	SNNAU	<input type="checkbox"/>	<input type="checkbox"/>	<input type="checkbox"/>	<input type="checkbox"/>	<input type="checkbox"/>	23.0#	N/A	\$ 618	\$ 652	\$ 670	\$ 618	\$ 670	\$ 667	\$ 716	\$ 741	\$ 769	\$ 791
 Arm Chair with Poly Seat • Flex back • Nests SNP	SNCAP	<input type="checkbox"/>	<input type="checkbox"/>	<input type="checkbox"/>	<input type="checkbox"/>	<input type="checkbox"/>	25.0#	\$ 613										
 Arm Chair with Upholstered Seat • Flex back • Nests SNU	SNCAU	<input type="checkbox"/>	<input type="checkbox"/>	<input type="checkbox"/>	<input type="checkbox"/>	<input type="checkbox"/>	25.0#	N/A	\$ 693	\$ 727	\$ 744	\$ 693	\$ 744	\$ 740	\$ 789	\$ 813	\$ 841	\$ 865
	A	B	C	D	E	F												

HOW TO ORDER

- Indicate the following information on order form:
- Quantity of each item.
 - Model number, including options. See "How To Build a Model Number".
 - Any special service required.

Note: • The indicates that a choice is required.
 • The absence of the indicates that no choice is required.
 • Alpha-numeric characters in place of indicate that no other alternatives are available.

HOW TO BUILD A MODEL NUMBER

- A** Select basic model.
- B** Select frame color.
Refer to the **Product Color Options** page in this price list.
- C** Select poly seat and back color
Refer to the **Product Color Options** page in this price list.
- D** Select base option.

G	- Bell glides (black only)
C	- Carpet casters (black only)
S	- Hard floor casters (black only)
- E** Select fire code.

NFR	- Compliance to TB 117-2013
FR	- Compliance to TB 133
- F** Select upholstery grade/color.
Refer to ki.com/fabrics

UPHOLSTERY INFORMATION

C.O.M. Upholstery
 C.O.M. requirement for 10 chairs or less with upholstered seat or upholstered seat and back is 3/4 yard per chair of 54" wide nondirectional fabric. For orders of 11 or more with upholstered seat and back. For complete information on ordering C.O.M. see "Ordering Customer's Own Material (C.O.M) Upholstery." section.

OPTIONS

California TB133 Fire Safety Code
 For California Technical Bulletin 133 compliant models, add the following upcharge:

Model=Polypropylene
 Added list price=\$13

Model=Upholstered Seat
 Added list price=\$91





SPECIAL SERVICES

Special Carton Marking
 With specially marked information N/C

Shipping
 Ships **assembled, FOB Green Bay, WI 54302, freight prepaid.** Freight class 125.

Specifications and prices are subject to change without prior notice.



MODEL	MODEL NUMBER							Approx. Packaged Weight	Delivered Pricing	Delivered Pricing Fabric Grade 1 & C.O.M.	Delivered Pricing Fabric Grade 2	Delivered Pricing Fabric Grade 3	Delivered Pricing C.O.V.	Delivered Pricing Vinyl Group 2V	Delivered Pricing Pallas Fabric Group P0	Delivered Pricing Pallas Fabric Group P1	Delivered Pricing Pallas Fabric Group P2	Delivered Pricing Pallas Fabric Group P3	Delivered Pricing Pallas Fabric Group P4
	Basic Model	Frame Color	Poly Seat/Back Color	Base	Tablet Arm Color	Fire Code	Upholstery Color												
 Tablet Arm Chair with Poly Seat • Flex back • Nests SNP	SNTAPRH	<input type="checkbox"/>	<input type="checkbox"/>	<input type="checkbox"/>	<input type="checkbox"/>	<input type="checkbox"/>	<input type="checkbox"/>	28.0#	\$ 769										
	SNTAPLH	<input type="checkbox"/>	<input type="checkbox"/>	<input type="checkbox"/>	<input type="checkbox"/>	<input type="checkbox"/>	<input type="checkbox"/>	28.0#	769										
 Tablet Arm Chair with Upholstered Seat • Flex back • Nests SNU	SNTAURH	<input type="checkbox"/>	<input type="checkbox"/>	<input type="checkbox"/>	<input type="checkbox"/>	<input type="checkbox"/>	<input type="checkbox"/>	28.0#	N/A	\$ 847	\$ 881	\$ 897	\$ 847	\$ 897	\$ 895	\$ 944	\$ 968	\$ 997	\$ 1020
	SNTAULH	<input type="checkbox"/>	<input type="checkbox"/>	<input type="checkbox"/>	<input type="checkbox"/>	<input type="checkbox"/>	<input type="checkbox"/>	28.0#	N/A	847	881	897	847	897	895	944	968	997	1020
 Oversize Tablet Arm Chair with Poly Seat • Flex back • Nests SNP	SNOVTAPRH	<input type="checkbox"/>	<input type="checkbox"/>	<input type="checkbox"/>	<input type="checkbox"/>	<input type="checkbox"/>	<input type="checkbox"/>	28.0#	\$ 847										
	SNOVTAPLH	<input type="checkbox"/>	<input type="checkbox"/>	<input type="checkbox"/>	<input type="checkbox"/>	<input type="checkbox"/>	<input type="checkbox"/>	28.0#	847										
 Oversize Tablet Arm Chair with Upholstered Seat • Flex back • Nests SNU	SNOVTAURH	<input type="checkbox"/>	<input type="checkbox"/>	<input type="checkbox"/>	<input type="checkbox"/>	<input type="checkbox"/>	<input type="checkbox"/>	28.0#	N/A	\$ 926	\$ 959	\$ 977	\$ 926	\$ 977	\$ 972	\$ 1022	\$ 1049	\$ 1076	\$ 1097
	SNOVTAULH	<input type="checkbox"/>	<input type="checkbox"/>	<input type="checkbox"/>	<input type="checkbox"/>	<input type="checkbox"/>	<input type="checkbox"/>	28.0#	N/A	926	959	977	926	977	972	1022	1049	1076	1097

A **B** **C** **D** **E** **F** **G**

HOW TO ORDER

Indicate the following information on order form:
 1. Quantity of each item.
 2. Model number, including options. See "How To Build a Model Number".
 3. Any special service required.

Note: • The indicates that a choice is required.
 • The absence of the indicates that no choice is required.
 • Alpha-numeric characters in place of indicate that no other alternatives are available.

HOW TO BUILD A MODEL NUMBER

- A** Select basic model.
- B** Select frame color. Refer to the **Product Color Options** page in this price list.
- C** Select poly seat and back color. Refer to the **Product Color Options** page in this price list.
- D** Select base option.
 - G** - Bell glides (black only)
 - C** - Carpet casters (black only)
 - S** - Hard floor casters (black only)
- E** Select tablet arm color. Refer to the **Product Color Options** page in this price list.
- F** Select fire code.
 - NFR** - Compliance to TB 117-2013
 - FR** - Compliance to TB 133

G Select upholstery grade/color. Refer to ki.com/fabrics

UPHOLSTERY INFORMATION

C.O.M. Upholstery
 C.O.M. requirement for 10 chairs or less with upholstered seat or upholstered seat and back is 3/4 yard per chair of 54" wide nondirectional fabric. For orders of 11 or more with upholstered seat and back. For complete information on ordering C.O.M. see "Ordering Customer's Own Material (C.O.M) Upholstery." section.

OPTIONS

California TB133 Fire Safety Code
 For California Technical Bulletin 133 compliant models, add the following upcharge:

Model=Polypropylene
 Added list price=\$13

Model=Upholstered Seat
 Added list price=\$91

SPECIAL SERVICES

Special Carton Marking

With specially marked information N/C

Shipping
 Ships **assembled, FOB Green Bay, WI 54302, freight prepaid.** Freight class 125.

Specifications and prices are subject to change without prior notice.



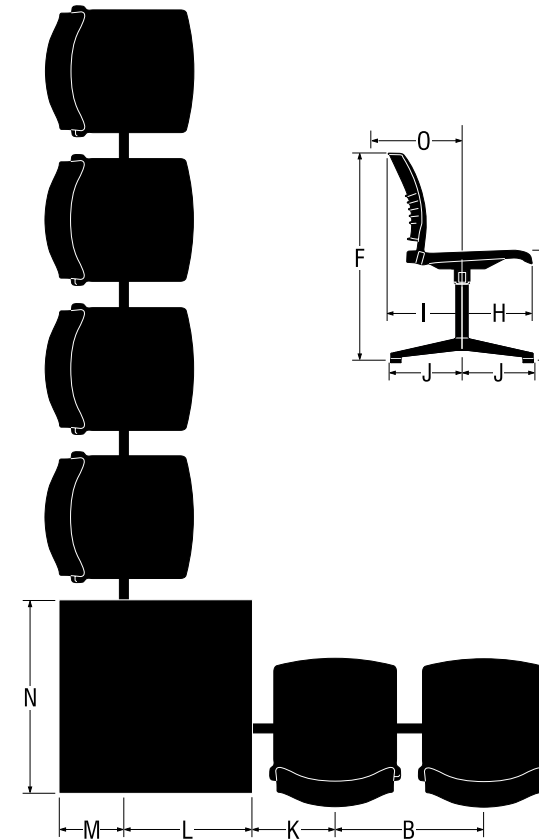
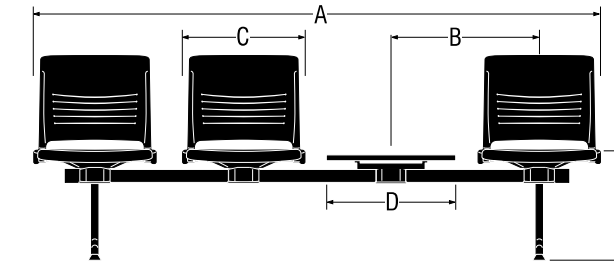
1-Place Unit
(1 Seat, 0 In-Line Table)

2-Place Unit
(1 Seat, 1 In-Line Table;
2 Seat, 0 In-Line Table)

3-Place Unit
(2 Seats, 1 In-Line Table;
3 Seats, 0 In-Line Table)

4-Place Unit
(3 Seats, 1 In-Line Table;
4 Seats, 0 In-Line Table)

Features				
Arm	•	•	•	•
Corner tables	•	•	•	•
In-line tables	•	•	•	•
Poly, upholstered seat, or upholstered seat/back	•	•	•	•
General Dimensions				
Seat width	18"	18"	18"	18"
Seat depth	18"	18"	18"	18"
Seat height	17"	17"	17"	17"
Unit width (with arms)	28"	50"	72"	94"
Unit width (no arms)	20"	44"	66"	86"
Unit height	33"	33"	33"	33"
Corner table top	30" x 30"	30" x 30"	30" x 30"	30" x 30"
In-line table	20" x 20"	20" x 20"	20" x 20"	20" x 20"
Table height (all table models)	17"	17"	17"	17"
Width between arms (inside arm)	18"	18"	18"	18"
Arm height from floor	25-3/4"	25-3/4"	25-3/4"	25-3/4"



DIMENSIONS

		No Arms	With Arms
A1	2-Place Unit	44 1/2"	44 1/2"
A2	3-Place Unit	66 1/2"	66 1/2"
A3	4-Place Unit	85 1/2"	92 1/2"
B	Additional Places	22"	22"
C	Seat Width	18"	
D	Table Width	20"	
E	Table Height	17"	
F	Unit Height	33"	
G	Seat Height	17"	
H	Beam Center to Front of Seat	10 1/4"	
I	Beam Center to Back of Back	11"	
J	Beam Center to Foot End	11 1/2"	
K	Seat Center to Corner Table		
	Mounting Side	13 1/2"	
L	Beam Center to Corner Table		
	Mounting Side	20"	
M	Beam Center to Corner Table Back	10"	
N	Corner Table Width	30"	
O	Beam Center to Back of Flexed Back	14 1/4"	

SPECIFICATIONS

Tandem Base

Cast aluminum alloy leg section. 14-gauge 1x2" seamless steel column. Upright and base are painted monochromatic with beam and yoke. Columns are welded to a plate which clamps onto beam.

Frame Finish

Baked-on, electrostatically-applied 45 gloss epoxy powder coating.

Seat

Injection-molded polypropylene seat attached directly to the structure.

Underseat Structure

Support structure is die-formed 13-gauge steel welded to a 1" OD x 14-gauge tubular steel cross member.

Backrest

Injection molded polypropylene with integral steel cantilever springs. The combination of

the slotted polypropylene back and the spring steel provides a supportive flexing back. Springs are nominal 4.5mm diameter chrome silicon valve spring wire.

Tandem Arm

Oval tubular steel arm support with self-skinning urethane armrests measuring 10 1/4" long x 4" wide. The tubular arm support is welded to a yoke and then fastened to the beam via a coverplate.

Optional Upholstered Seat or Seat & Back

Molded urethane foam is attached to an injection molded polypropylene seat board, then upholstered using a draw-string process. The assembled seat pad is attached to the seat by means of hidden fasteners.

In-Line Table

Solid core top is 20" x 20" x 7/8" with a vinyl bullnose edge.

Corner Table

Solid core top is 30" x 30" x 7/8" with a vinyl

bullnose edge.

KI Color Match Program

KI offers the additional option of color matching paint, polypropylene, or wood stain through Product Modification Requests. Contact Customer Service for details.

Whatever you imagine, whatever you require, KI's Color Match program lets you pick your color!

[Color Match Process - Poly Seating Information can be found here.](#)

INFORMATION

Warranty

Refer to KI Terms & Conditions document or visit ki.com



Frame Color

Black
Blue Grey
Cool Grey
Earthen Clay
Everglade Shade
Flannel
Hazy Jade
Light Tone
Mardi Gras
Misty Brown
Nemo
Poppy Red
Purple Haze
Rainforest
Raw Jasper
Rubber Ducky
Sand
Sky Blue
Surf's Up
Tarragon
Twilight Shadow
Ultra Blue
Warm Grey
Zesty Lime

Edge Color

Belair
Black
Blue Grey
Cool Grey
Earthen Clay
Everglade Shade
Flannel
Frosty White
Hazy Jade
Honey Bee
Light Tone
Mardi Gras
Misty Brown
Nemo
Nordic
Poppy Red
Purple Haze
Rubber Ducky
Sand
Sky Blue
Surf's Up
Twilight Shadow
Ultra Blue
Warm Grey
Zesty Lime

Seat and Back Color - Polypropylene

Non Flame-Retardant

BL Black
GR Blue Grey
CG Cool Grey
EY Earthen Clay
EV Everglade Shade
FN Flannel
HJ Hazy Jade
LG Light Tone
MG Mardi Gras
MY Misty Brown
NE Nemo
PR Poppy Red
PH Purple Haze
RQ Rainforest
RJ Raw Jasper
RK Rubber Ducky
SA Sand
SK Sky Blue
SP Surf's Up
TQ Tarragon
TI Twilight Shadow
UB Ultra Blue
WG Warm Grey
ZL Zesty Lime

EBQ Belair
EBL Black
EGR Blue Grey
ECG Cool Grey
EEY Earthen Clay
EEV Everglade Shade
EFN Flannel
EFW Frosty White
EHJ Hazy Jade
EHY Honey Bee
ELG Light Tone
EMG Mardi Gras
EMY Misty Brown
ENE Nemo
END Nordic
EPR Poppy Red
EPH Purple Haze
ERK Rubber Ducky
ESA Sand
ESK Sky Blue
ESP Surf's Up
ETI Twilight Shadow
EUB Ultra Blue
EWG Warm Grey
EZL Zesty Lime

Arm pad matches seat and back color for black, blue grey, sand and warm grey. Otherwise it is always black.

TRANSLUCENT colors are available on the upholstered seat models only.

Seat and Back Color - Polypropylene Flame-Retardant

PBL Black
EMG Arm pad matches seat and back color for black, blue grey, sand and warm grey. Otherwise it is always black.
ENE The above seating product can be manufactured using the appropriate flame-retardant materials for compliance to California Technical Bulletin 133.
*NOTE: When FR upholstery is selected, FR poly (black only) must be selected. NFR poly is not available with FR upholstery.

Surface Finish - Laminate

PBL Beigewood
PGR Belair
PCY Biltmore Cherry
PCG Black
PEY Brighton Walnut
PEV Canyon Zephyr
PFN Castle Oak
PHJ Casual Linen
PHY Cherry Storm
PLG Classic Linen
PMG Cloud Zephyr
PNE Cocobala
PND Crisp Linen
PPR Desert Zephyr
PPH Designer White
PRQ Dove Grey
PRJ Flax Linen
PRK Florence Walnut
PSA Forged Steel
PSK Friston Ash
PSP Frosty White
PTQ Graphite Nebula
PTI Grey
PUB High Rise
PWG Hollyberry
PZL Island
Kensington Maple
Lapis Blue
Markerboard White
Misted Zephyr
Monticello Maple
North Sea
Ocean
Pearl Bisque
Pinnacle Walnut
Pressed Linen
River Cherry
Satin Stainless
Shadow Zephyr
Silicon evolv
Sterling Ash
Tailored Linen
Titanium evolv
White Nebula
White Sand
Windsor Mahogany

LBZ
LBQ
LBT
LBK
LBW
LCA
LCO
LCU
LCX
LCI
LCL
LCC
LRI
LDZ
LDR
LDG
LXF
LFC
LOL
LFH
LFW
LGN
LGE
LHE
LHY
LID
LIT
LKM
LLB
LMK
LMR
LMT
LNA
LON
LPB
LPW
LPR
LRY
LSS
LSR
LSV
LAZ
LTL
LTV
LWL
LWN
LWY

Finish Cards

View color swatches for items listed within this document.

Paints

Plastics/Poly

Wood/Veneer

Laminates

Molded Edges




Edge Styles

Hard Plastics

Glass

Certain options referenced may not be available on GSA Schedule.



MODEL	Features	MODEL NUMBER						Approx. Packaged Weight	Delivered Pricing	TB133 add to list price	
		Basic Model	Frame Color	Fire Code	Seat & Back Color	Surface Finish	Edge Color				
 ST1P ST2P ST3P ST4P ST5P	Polypropylene - No Arms • Optional in-line tables • 1 seat, 0 in-line table models must connect to a corner table • Corner table is ordered separately	1 Seat, 0 In-Line Table	ST1NAP/S1/IT0	<input type="checkbox"/>	<input type="checkbox"/>	<input type="checkbox"/>			25.0#	\$ 504	\$ 13
		1 Seat, 1 In-Line Table	ST2NAP/S1/IT1	<input type="checkbox"/>	<input type="checkbox"/>	<input type="checkbox"/>	<input type="checkbox"/>	<input type="checkbox"/>	39.0#	1068	13
		2 Seats, 0 In-Line Table	ST2NAP/S2/IT0	<input type="checkbox"/>	<input type="checkbox"/>	<input type="checkbox"/>			45.0#	1007	29
		2 Seats, 1 In-Line Table	ST3NAP/S2/IT1	<input type="checkbox"/>	<input type="checkbox"/>	<input type="checkbox"/>	<input type="checkbox"/>	<input type="checkbox"/>	59.0#	1571	29
		3 Seats, 0 In-Line Table	ST3NAP/S3/IT0	<input type="checkbox"/>	<input type="checkbox"/>	<input type="checkbox"/>			65.0#	1512	42
		3 Seats, 1 In-line Table	ST4NAP/S3/IT1	<input type="checkbox"/>	<input type="checkbox"/>	<input type="checkbox"/>	<input type="checkbox"/>	<input type="checkbox"/>	79.0#	2077	42
		4 Seats, 0 In-line Table	ST4NAP/S4/IT0	<input type="checkbox"/>	<input type="checkbox"/>	<input type="checkbox"/>			89.0#	2017	55
		3 Seats, 2 In-Line Tables	ST5NAP/S3/IT2	<input type="checkbox"/>	<input type="checkbox"/>	<input type="checkbox"/>	<input type="checkbox"/>	<input type="checkbox"/>	98.0#	2641	42
		4 Seats, 1 In-line Table	ST5NAP/S4/IT1	<input type="checkbox"/>	<input type="checkbox"/>	<input type="checkbox"/>	<input type="checkbox"/>	<input type="checkbox"/>	104.0#	2579	55
		5 Seats, 0 In-line Table	ST5NAP/S5/IT0	<input type="checkbox"/>	<input type="checkbox"/>	<input type="checkbox"/>			110.0#	2521	71
 ST1P ST2P ST3P ST4P ST5P	Polypropylene - End Arms Only • Optional in-line tables • 1 seat, 0 in-line table models must connect to a corner table • Corner table is ordered separately	1 Seat, 0 In-Line Table	ST1EAP/S1/IT0	<input type="checkbox"/>	<input type="checkbox"/>	<input type="checkbox"/>			30.0#	\$ 693	\$ 13
		1 Seat, 1 In-Line Table	ST2EAP/S1/IT1	<input type="checkbox"/>	<input type="checkbox"/>	<input type="checkbox"/>	<input type="checkbox"/>	<input type="checkbox"/>	44.0#	1162	13
		2 Seats, 0 In-Line Table	ST2EAP/S2/IT0	<input type="checkbox"/>	<input type="checkbox"/>	<input type="checkbox"/>			47.0#	1193	29
		2 Seats, 1 In-Line Table	ST3EAP/S2/IT1	<input type="checkbox"/>	<input type="checkbox"/>	<input type="checkbox"/>	<input type="checkbox"/>	<input type="checkbox"/>	55.0#	1757	29
		3 Seats, 0 In-Line Table	ST3EAP/S3/IT0	<input type="checkbox"/>	<input type="checkbox"/>	<input type="checkbox"/>			64.0#	1701	42
		3 Seats, 1 In-line Table	ST4EAP/S3/IT1	<input type="checkbox"/>	<input type="checkbox"/>	<input type="checkbox"/>	<input type="checkbox"/>	<input type="checkbox"/>	70.0#	2264	42
		4 Seats, 0 In-line Table	ST4EAP/S4/IT0	<input type="checkbox"/>	<input type="checkbox"/>	<input type="checkbox"/>			81.0#	2203	55
		3 Seats, 2 In-Line Tables	ST5EAP/S3/IT2	<input type="checkbox"/>	<input type="checkbox"/>	<input type="checkbox"/>	<input type="checkbox"/>	<input type="checkbox"/>	89.0#	2826	42
		4 Seats, 1 In-line Table	ST5EAP/S4/IT1	<input type="checkbox"/>	<input type="checkbox"/>	<input type="checkbox"/>	<input type="checkbox"/>	<input type="checkbox"/>	100.0#	2768	55
		5 Seats, 0 In-line Table	ST5EAP/S5/IT0	<input type="checkbox"/>	<input type="checkbox"/>	<input type="checkbox"/>			105.0#	2710	71
 ST1P ST2P ST3P ST4P ST5P	Polypropylene - Arms • Optional in-line tables • 1 seat, 0 in-line table models must connect to a corner table • Corner table is ordered separately	1 Seat, 0 In-Line Table	ST1AAP/S1/IT0	<input type="checkbox"/>	<input type="checkbox"/>	<input type="checkbox"/>			30.0#	\$ 693	\$ 13
		1 Seat, 1 In-Line Table	ST2AAP/S1/IT1	<input type="checkbox"/>	<input type="checkbox"/>	<input type="checkbox"/>	<input type="checkbox"/>	<input type="checkbox"/>	44.0#	1255	13
		2 Seats, 0 In-Line Table	ST2AAP/S2/IT0	<input type="checkbox"/>	<input type="checkbox"/>	<input type="checkbox"/>			55.0#	1290	29
		2 Seats, 1 In-Line Table	ST3AAP/S2/IT1	<input type="checkbox"/>	<input type="checkbox"/>	<input type="checkbox"/>	<input type="checkbox"/>	<input type="checkbox"/>	69.0#	1948	29
		3 Seats, 0 In-Line Table	ST3AAP/S3/IT0	<input type="checkbox"/>	<input type="checkbox"/>	<input type="checkbox"/>			80.0#	1887	42
		3 Seats, 1 In-line Table	ST4AAP/S3/IT1	<input type="checkbox"/>	<input type="checkbox"/>	<input type="checkbox"/>	<input type="checkbox"/>	<input type="checkbox"/>	94.0#	2546	42
		4 Seats, 0 In-line Table	ST4AAP/S4/IT0	<input type="checkbox"/>	<input type="checkbox"/>	<input type="checkbox"/>			105.0#	2486	55
		3 Seats, 2 In-Line Tables	ST5AAP/S3/IT2	<input type="checkbox"/>	<input type="checkbox"/>	<input type="checkbox"/>	<input type="checkbox"/>	<input type="checkbox"/>	113.0#	3202	42
		4 Seats, 1 In-line Table	ST5AAP/S4/IT1	<input type="checkbox"/>	<input type="checkbox"/>	<input type="checkbox"/>	<input type="checkbox"/>	<input type="checkbox"/>	124.0#	3144	55
		5 Seats, 0 In-line Table	ST5AAP/S5/IT0	<input type="checkbox"/>	<input type="checkbox"/>	<input type="checkbox"/>			135.0#	3084	71

A **B** **C** **D** **E** **F**

HOW TO ORDER

- Indicate the following information on order form:
- Quantity of each item.
 - Model number, including options. See "How To Build a Model Number".
 - Any special service required.

Note: • The indicates that a choice is required.
 • The absence of the indicates that no choice is required.
 • Alpha-numeric characters in place of indicate that no other alternatives are available.

HOW TO BUILD A MODEL NUMBER

- A** Select basic model.
- B** Select frame color.
Refer to the **Product Color Options** page in this price list.
- C** Select fire code.
FR - Compliance to TB 133
NFR - Compliance to TB 117-2013
See pricing column for TB133 upcharge.
- D** Select seat/back color.
Refer to the **Product Color Options** page in this price list.
- E** Select surface finish for table.
Refer to the **Product Color Options** page in this price list.
Surface finish offerings are based on edge style selections.
- F** Select table edge color.
Refer to the **Product Color Options** page in this

price list.
Edge color offerings are based on edge style selections.

OPTIONS

California TB133 Fire Safety Code
For California Technical Bulletin 133 compliant models, add the following upcharge:

 Added List Price = Per Model: see above "TB133 add to list price" upcharge.
 Added Lead Time = None



SPECIAL SERVICES

Special Carton Marking
With specially marked information N/C

Shipping
Ships **knocked down, FOB Green Bay, WI 54302, freight prepaid.** Freight class 70.

 Specifications and prices are subject to change without prior notice.



MODEL	Features	MODEL NUMBER							Approx. Packaged Weight	Delivered Pricing Fabric Grade 1 & C.O.M.	Delivered Pricing Fabric Grade 2	Delivered Pricing Fabric Grade 3	Delivered Pricing C.O.V.	Delivered Pricing Vinyl Group 2V	Delivered Pricing Pallas Fabric Group P0	Delivered Pricing Pallas Fabric Group P1	Delivered Pricing Pallas Fabric Group P2	Delivered Pricing Pallas Fabric Group P3	Delivered Pricing Pallas Fabric Group P4	TB133 add to list price
		Basic Model	Frame Color	Seat & Back Color	Surface Finish	Edge Color	Fire Code	Upholstery Color												
 <p>Upholstered Seat - No Arms</p> <ul style="list-style-type: none"> Optional in-line tables 1 seat, 0 in-line table models must connect to a corner table Corner table is ordered separately 	1 Seat, 0 In-Line Table	ST1NAU/S1/IT0	<input type="checkbox"/>	<input type="checkbox"/>			<input type="checkbox"/>	<input type="checkbox"/>	30.0#	\$ 581	\$ 618	\$ 637	\$ 581	\$ 637	\$ 632	\$ 680	\$ 706	\$ 732	\$ 758	\$ 91
	1 Seat, 1 In-Line Table	ST2NAU/S1/IT1	<input type="checkbox"/>	<input type="checkbox"/>	<input type="checkbox"/>	<input type="checkbox"/>	<input type="checkbox"/>	<input type="checkbox"/>	41.0#	1146	1182	1162	1146	1162	1156	1206	1232	1260	1282	91
	2 Seats, 0 In-Line Table	ST2NAU/S2/IT0	<input type="checkbox"/>	<input type="checkbox"/>			<input type="checkbox"/>	<input type="checkbox"/>	50.0#	1165	1237	1267	1165	1267	1259	1359	1413	1466	1509	181
	2 Seats, 1 In-Line Table	ST3NAU/S2/IT1	<input type="checkbox"/>	<input type="checkbox"/>	<input type="checkbox"/>	<input type="checkbox"/>	<input type="checkbox"/>	<input type="checkbox"/>	64.0#	1885	1957	1988	1885	1988	1980	2080	2132	2184	2228	181
	3 Seats, 0 In-Line Table	ST3NAU/S3/IT0	<input type="checkbox"/>	<input type="checkbox"/>			<input type="checkbox"/>	<input type="checkbox"/>	70.0#	1747	1855	1901	1747	1901	1889	2038	2118	2198	2264	271
ST1U	4 Seats, 1 In-line Table	ST4NAU/S3/IT1	<input type="checkbox"/>	<input type="checkbox"/>	<input type="checkbox"/>	<input type="checkbox"/>	<input type="checkbox"/>	<input type="checkbox"/>	84.0#	2312	2419	2467	2312	2467	2454	2601	2681	2762	2826	271
ST2U	4 Seats, 0 In-line Table	ST4NAU/S4/IT0	<input type="checkbox"/>	<input type="checkbox"/>			<input type="checkbox"/>	<input type="checkbox"/>	94.0#	2328	2473	2537	2328	2537	2521	2721	2824	2930	3019	361
ST3U	3 Seats, 2 In-Line Tables	ST5NAU/S3/IT2	<input type="checkbox"/>	<input type="checkbox"/>	<input type="checkbox"/>	<input type="checkbox"/>	<input type="checkbox"/>	<input type="checkbox"/>	103.0#	2875	2982	3029	2875	3029	3016	3163	3244	3323	3388	271
ST4U	4 Seats, 1 In-line Table	ST5NAU/S4/IT1	<input type="checkbox"/>	<input type="checkbox"/>	<input type="checkbox"/>	<input type="checkbox"/>	<input type="checkbox"/>	<input type="checkbox"/>	109.0#	2891	3036	3103	2891	3103	3087	3283	3386	3495	3581	361
ST5U	5 Seats, 0 In-line Table	ST5NAU/S5/IT0	<input type="checkbox"/>	<input type="checkbox"/>			<input type="checkbox"/>	<input type="checkbox"/>	115.0#	2913	3092	3170	2913	3170	3150	3397	3531	3662	3771	450
 <p>Upholstered Seat - End Arms Only</p> <ul style="list-style-type: none"> Optional in-line tables 1 seat, 0 in-line table models must connect to a corner table Corner table is ordered separately 	1 Seat, 0 In-Line Table	ST1EAU/S1/IT0	<input type="checkbox"/>	<input type="checkbox"/>			<input type="checkbox"/>	<input type="checkbox"/>	35.0#	\$ 770	\$ 807	\$ 822	\$ 770	\$ 822	\$ 819	\$ 867	\$ 892	\$ 921	\$ 943	\$ 91
	1 Seat, 1 In-Line Table	ST2EAU/S1/IT1	<input type="checkbox"/>	<input type="checkbox"/>	<input type="checkbox"/>	<input type="checkbox"/>	<input type="checkbox"/>	<input type="checkbox"/>	49.0#	1240	1278	1292	1240	1292	1287	1337	1363	1390	1413	91
	2 Seats, 0 In-Line Table	ST2EAU/S2/IT0	<input type="checkbox"/>	<input type="checkbox"/>			<input type="checkbox"/>	<input type="checkbox"/>	52.0#	1354	1423	1456	1354	1456	1448	1547	1599	1651	1699	181
	2 Seats, 1 In-Line Table	ST3EAU/S2/IT1	<input type="checkbox"/>	<input type="checkbox"/>	<input type="checkbox"/>	<input type="checkbox"/>	<input type="checkbox"/>	<input type="checkbox"/>	60.0#	1917	1988	2020	1917	2020	2012	2110	2163	2218	2258	181
	3 Seats, 0 In-Line Table	ST3EAU/S3/IT0	<input type="checkbox"/>	<input type="checkbox"/>			<input type="checkbox"/>	<input type="checkbox"/>	69.0#	1934	2043	2090	1934	2090	2078	2226	2305	2384	2452	271
ST1U	3 Seats, 1 In-line Table	ST4EAU/S3/IT1	<input type="checkbox"/>	<input type="checkbox"/>	<input type="checkbox"/>	<input type="checkbox"/>	<input type="checkbox"/>	<input type="checkbox"/>	75.0#	2499	2605	2654	2499	2654	2643	2790	2872	2952	3016	271
ST2U	4 Seats, 0 In-line Table	ST4EAU/S4/IT0	<input type="checkbox"/>	<input type="checkbox"/>			<input type="checkbox"/>	<input type="checkbox"/>	86.0#	2519	2661	2726	2519	2726	2708	2905	3011	3117	3207	361
ST3U	3 Seats, 2 In-Line Tables	ST5EAU/S3/IT2	<input type="checkbox"/>	<input type="checkbox"/>	<input type="checkbox"/>	<input type="checkbox"/>	<input type="checkbox"/>	<input type="checkbox"/>	94.0#	3063	3170	3217	3063	3217	3205	3352	3432	3514	3579	271
ST4U	4 Seats, 1 In-line Table	ST5EAU/S4/IT1	<input type="checkbox"/>	<input type="checkbox"/>	<input type="checkbox"/>	<input type="checkbox"/>	<input type="checkbox"/>	<input type="checkbox"/>	105.0#	3079	3227	3289	3079	3289	3271	3468	3576	3683	3768	361
ST5U	5 Seats, 0 In-line Table	ST5EAU/S5/IT0	<input type="checkbox"/>	<input type="checkbox"/>			<input type="checkbox"/>	<input type="checkbox"/>	110.0#	3103	3281	3360	3103	3360	3338	3585	3718	3849	3960	450

A **B** **C** **D** **E** **F** **G**

HOW TO ORDER

- Indicate the following information on order form:
- Quantity of each item.
 - Model number, including options. See "How To Build a Model Number".
 - Any special service required.

Note:

- The indicates that a choice is required.
- The absence of the indicates that no choice is required.
- Alpha-numeric characters in place of indicate that no other alternatives are available.

HOW TO BUILD A MODEL NUMBER

- A** Select basic model.
- B** Select frame color. Refer to the **Product Color Options** page in this price list.
- C** Select seat/back color. Refer to the **Product Color Options** page in this price list.
- D** Select surface finish for table. Refer to the **Product Color Options** page in this price list. Surface finish offerings are based on edge style selections.
- E** Select table edge color. Refer to the **Product Color Options** page in this price list. Edge color offerings are based on edge style selections.

- F** Select fire code.
 - NFR** - Compliance to TB 117-2013
 - FR** - Compliance to TB 133
 See pricing column for TB133 upcharge.
- G** Select upholstery grade/color. Refer to ki.com/fabrics

UPHOLSTERY INFORMATION

C.O.M. Upholstery
 C.O.M. requirement for 10 chairs or less with upholstered seat or upholstered seat and back is 3/4 yard per chair of 54" wide nondirectional fabric. For orders of 11 or more with upholstered seat and back. For complete information on ordering C.O.M. see "Ordering Customer's Own Material (C.O.M) Upholstery." section.

OPTIONS

California TB133 Fire Safety Code
 For California Technical Bulletin 133 compliant models, add the following upcharge:
 Added List Price = Per Model: see above "TB133 add to list price" upcharge.
 Added Lead Time = None



SPECIAL SERVICES

Special Carton Marking
 With specially marked information N/C

Shipping
 Ships **knocked down, FOB Green Bay, WI 54302, freight prepaid.** Freight class 70.

Specifications and prices are subject to change without prior notice.



MODEL	Features	MODEL NUMBER							Approx. Packaged Weight	Delivered Pricing Fabric Grade 1 & C.O.M.	Delivered Pricing Fabric Grade 2	Delivered Pricing Fabric Grade 3	Delivered Pricing C.O.V.	Delivered Pricing Vinyl Group 2V	Delivered Pricing Pallas Fabric Group P0	Delivered Pricing Pallas Fabric Group P1	Delivered Pricing Pallas Fabric Group P2	Delivered Pricing Pallas Fabric Group P3	Delivered Pricing Pallas Fabric Group P4	TB133 add to list price
		Basic Model	Frame Color	Seat & Back Color	Surface Finish	Edge Color	Fire Code	Upholstery Color												
 <p>Upholstered Seat - Arms</p> <ul style="list-style-type: none"> Optional in-line tables 1 seat, 0 in-line table models must connect to a corner table Corner table is ordered separately 	1 Seat, 0 In-Line Table	ST1AAU/S1/IT0	<input type="checkbox"/>	<input type="checkbox"/>			<input type="checkbox"/>	<input type="checkbox"/>	35.0#	\$ 770	\$ 807	\$ 822	\$ 770	\$ 822	\$ 819	\$ 867	\$ 892	\$ 921	\$ 943	\$ 91
	1 Seat, 1 In-Line Table	ST2AAU/S1/IT1	<input type="checkbox"/>	<input type="checkbox"/>	<input type="checkbox"/>	<input type="checkbox"/>	<input type="checkbox"/>	<input type="checkbox"/>	49.0#	1335	1371	1383	1335	1383	1379	1429	1457	1486	1507	181
	2 Seats, 0 In-Line Table	ST2AAU/S2/IT0	<input type="checkbox"/>	<input type="checkbox"/>			<input type="checkbox"/>	<input type="checkbox"/>	60.0#	1448	1517	1551	1448	1551	1543	1641	1697	1747	1791	271
	2 Seats, 1 In-Line Table	ST3AAU/S2/IT1	<input type="checkbox"/>	<input type="checkbox"/>	<input type="checkbox"/>	<input type="checkbox"/>	<input type="checkbox"/>	<input type="checkbox"/>	74.0#	2104	2176	2223	2104	2223	2214	2314	2367	2420	2463	181
	3 Seats, 0 In-Line Table	ST3AAU/S3/IT0	<input type="checkbox"/>	<input type="checkbox"/>			<input type="checkbox"/>	<input type="checkbox"/>	85.0#	2121	2231	2278	2121	2278	2268	2416	2496	2575	2641	271
3 Seats, 1 In-Line Table	ST4AAU/S3/IT1	<input type="checkbox"/>	<input type="checkbox"/>	<input type="checkbox"/>	<input type="checkbox"/>	<input type="checkbox"/>	<input type="checkbox"/>	99.0#	2782	2888	2935	2782	2935	2922	3072	3150	3232	3297	271	
ST1U	4 Seats, 0 In-Line Table	ST4AAU/S4/IT0	<input type="checkbox"/>	<input type="checkbox"/>			<input type="checkbox"/>	<input type="checkbox"/>	110.0#	2798	2944	3007	2798	3007	2991	3188	3295	3400	3488	361
ST2U	3 Seats, 2 In-Line Tables	ST5AAU/S3/IT2	<input type="checkbox"/>	<input type="checkbox"/>	<input type="checkbox"/>	<input type="checkbox"/>	<input type="checkbox"/>	<input type="checkbox"/>	118.0#	3438	3543	3594	3438	3594	3580	3729	3809	3888	3955	271
ST3U	4 Seats, 1 In-Line Table	ST5AAU/S4/IT1	<input type="checkbox"/>	<input type="checkbox"/>	<input type="checkbox"/>	<input type="checkbox"/>	<input type="checkbox"/>	<input type="checkbox"/>	129.0#	3457	3602	3662	3457	3662	3645	3845	3951	4058	4146	361
ST4U	5 Seats, 0 In-Line Table	ST5AAU/S5/IT0	<input type="checkbox"/>	<input type="checkbox"/>			<input type="checkbox"/>	<input type="checkbox"/>	140.0#	3475	3657	3732	3475	3732	3714	3960	4094	4228	4334	450
ST5U																				
 <p>Upholstered Seat and Back - No Arms</p> <ul style="list-style-type: none"> Optional in-line tables 1 seat, 0 in-line table models must connect to a corner table Corner table is ordered separately 	1 Seat, 0 In-Line Table	ST1NAUB/S1/IT0	<input type="checkbox"/>	<input type="checkbox"/>			<input type="checkbox"/>	<input type="checkbox"/>	35.0#	\$ 650	\$ 689	\$ 702	\$ 650	\$ 702	\$ 699	\$ 748	\$ 773	\$ 801	\$ 823	\$ 129
	1 Seat, 1 In-Line Table	ST2NAUB/S1/IT1	<input type="checkbox"/>	<input type="checkbox"/>	<input type="checkbox"/>	<input type="checkbox"/>	<input type="checkbox"/>	<input type="checkbox"/>	49.0#	1217	1252	1230	1217	1230	1227	1278	1305	1354	1352	129
	2 Seats, 0 In-Line Table	ST2NAUB/S2/IT0	<input type="checkbox"/>	<input type="checkbox"/>			<input type="checkbox"/>	<input type="checkbox"/>	60.0#	1305	1375	1408	1305	1408	1400	1497	1551	1604	1580	257
	2 Seats, 1 In-Line Table	ST3NAUB/S2/IT1	<input type="checkbox"/>	<input type="checkbox"/>	<input type="checkbox"/>	<input type="checkbox"/>	<input type="checkbox"/>	<input type="checkbox"/>	74.0#	2023	2096	2127	2023	2127	2120	2219	2271	2323	2367	257
	3 Seats, 0 In-Line Table	ST3NAUB/S3/IT0	<input type="checkbox"/>	<input type="checkbox"/>			<input type="checkbox"/>	<input type="checkbox"/>	85.0#	1954	2063	2108	1954	2108	2097	2246	2324	2405	2471	384
3 Seats, 1 In-Line Table	ST4NAUB/S3/IT1	<input type="checkbox"/>	<input type="checkbox"/>	<input type="checkbox"/>	<input type="checkbox"/>	<input type="checkbox"/>	<input type="checkbox"/>	99.0#	2520	2624	2673	2520	2673	2661	2810	2888	2967	3033	384	
ST1UB	4 Seats, 0 In-Line Table	ST4NAUB/S4/IT0	<input type="checkbox"/>	<input type="checkbox"/>			<input type="checkbox"/>	<input type="checkbox"/>	110.0#	2605	2750	2813	2605	2813	2797	2996	3103	3207	3296	514
ST2UB	3 Seats, 2 In-Line Tables	ST5NAUB/S3/IT2	<input type="checkbox"/>	<input type="checkbox"/>	<input type="checkbox"/>	<input type="checkbox"/>	<input type="checkbox"/>	<input type="checkbox"/>	118.0#	3081	3189	3238	3081	3238	3225	3373	3452	3532	3599	384
ST3UB	4 Seats, 1 In-Line Table	ST5NAUB/S4/IT1	<input type="checkbox"/>	<input type="checkbox"/>	<input type="checkbox"/>	<input type="checkbox"/>	<input type="checkbox"/>	<input type="checkbox"/>	129.0#	3169	3312	3377	3169	3377	3360	3559	3662	3770	3859	514
ST4UB	5 Seats, 0 In-Line Table	ST5NAUB/S5/IT0	<input type="checkbox"/>	<input type="checkbox"/>			<input type="checkbox"/>	<input type="checkbox"/>	140.0#	3256	3438	3518	3256	3518	3495	3741	3876	4008	4118	643
			A	B	C	D	E	F	G											

HOW TO ORDER

- Indicate the following information on order form:
- Quantity of each item.
 - Model number, including options. See "How To Build a Model Number".
 - Any special service required.

Note: • The indicates that a choice is required.
 • The absence of the indicates that no choice is required.
 • Alpha-numeric characters in place of indicate that no other alternatives are available.

HOW TO BUILD A MODEL NUMBER

- A** Select basic model.
- B** Select frame color. Refer to the **Product Color Options** page in this price list.
- C** Select seat/back color. Refer to the **Product Color Options** page in this price list.
- D** Select surface finish for table. Refer to the **Product Color Options** page in this price list. Surface finish offerings are based on edge style selections.
- E** Select table edge color. Refer to the **Product Color Options** page in this price list. Edge color offerings are based on edge style selections.

- F** Select fire code.
NFR - Compliance to TB 117-2013
FR - Compliance to TB 133
 See pricing column for TB133 upcharge.
- G** Select upholstery grade/color. Refer to ki.com/fabrics

UPHOLSTERY INFORMATION

C.O.M. Upholstery
 C.O.M. requirement for 10 chairs or less with upholstered seat or upholstered seat and back is 3/4 yard per chair of 54" wide nondirectional fabric. For orders of 11 or more with upholstered seat and back. For complete information on ordering C.O.M. see "Ordering Customer's Own Material (C.O.M) Upholstery." section.

OPTIONS

California TB133 Fire Safety Code
 For California Technical Bulletin 133 compliant models, add the following upcharge:
 Added List Price = Per Model: see above "TB133 add to list price" upcharge.
 Added Lead Time = None



SPECIAL SERVICES

Special Carton Marking
 With specially marked information N/C

Shipping
 Ships **knocked down, FOB Green Bay, WI 54302, freight prepaid.** Freight class 70.

Specifications and prices are subject to change without prior notice.



MODEL	Features	MODEL NUMBER							Approx. Packaged Weight	Delivered Pricing Fabric Grade 1 & C.O.M.	Delivered Pricing Fabric Grade 2	Delivered Pricing Fabric Grade 3	Delivered Pricing C.O.V.	Delivered Pricing Vinyl Group 2V	Delivered Pricing Pallas Fabric Group P0	Delivered Pricing Pallas Fabric Group P1	Delivered Pricing Pallas Fabric Group P2	Delivered Pricing Pallas Fabric Group P3	Delivered Pricing Pallas Fabric Group P4	TB133 add to list price
		Basic Model	Frame Color	Seat & Back Color	Surface Finish	Edge Color	Fire Code	Upholstery Color												
 <p>Upholstered Seat and Back - End Arms Only</p> <ul style="list-style-type: none"> Optional in-line tables 1 seat, 0 in-line table models must connect to a corner table Corner table is ordered separately 	1 Seat, 0 In-Line Table	ST1EAUB/S1/IT0	<input type="checkbox"/>	<input type="checkbox"/>			<input type="checkbox"/>	<input type="checkbox"/>	35.0#	\$ 839	\$ 875	\$ 891	\$ 839	\$ 891	\$ 887	\$ 936	\$ 960	\$ 991	\$ 1010	\$ 129
	1 Seat, 1 In-Line Table	ST2EAUB/S1/IT1	<input type="checkbox"/>	<input type="checkbox"/>	<input type="checkbox"/>	<input type="checkbox"/>	<input type="checkbox"/>	<input type="checkbox"/>	49.0#	1309	1345	1361	1309	1361	1359	1408	1431	1459	1482	129
	2 Seats, 0 In-Line Table	ST2EAUB/S2/IT0	<input type="checkbox"/>	<input type="checkbox"/>			<input type="checkbox"/>	<input type="checkbox"/>	52.0#	1490	1562	1596	1490	1596	1587	1685	1737	1791	1835	257
	2 Seats, 1 In-Line Table	ST3EAUB/S2/IT1	<input type="checkbox"/>	<input type="checkbox"/>	<input type="checkbox"/>	<input type="checkbox"/>	<input type="checkbox"/>	<input type="checkbox"/>	60.0#	2055	2127	2158	2055	2158	2150	2249	2303	2354	2401	257
	3 Seats, 0 In-Line Table	ST3EAUB/S3/IT0	<input type="checkbox"/>	<input type="checkbox"/>			<input type="checkbox"/>	<input type="checkbox"/>	69.0#	2144	2250	2297	2144	2297	2284	2432	2512	2593	2658	384
ST1UB	3 Seats, 1 In-Line Table	ST4EAUB/S3/IT1	<input type="checkbox"/>	<input type="checkbox"/>	<input type="checkbox"/>	<input type="checkbox"/>	<input type="checkbox"/>	<input type="checkbox"/>	75.0#	2708	2814	2862	2708	2862	2850	2998	3076	3156	3225	384
ST2UB	4 Seats, 0 In-Line Table	ST4EAUB/S4/IT0	<input type="checkbox"/>	<input type="checkbox"/>			<input type="checkbox"/>	<input type="checkbox"/>	86.0#	2792	2938	3002	2792	3002	2983	3183	3289	3393	3482	514
ST3UB	3 Seats, 2 In-Line Tables	ST5EAUB/S3/IT2	<input type="checkbox"/>	<input type="checkbox"/>	<input type="checkbox"/>	<input type="checkbox"/>	<input type="checkbox"/>	<input type="checkbox"/>	94.0#	3268	3378	3426	3268	3426	3413	3561	3641	3721	3788	384
ST4UB	4 Seats, 1 In-Line Table	ST5EAUB/S4/IT1	<input type="checkbox"/>	<input type="checkbox"/>	<input type="checkbox"/>	<input type="checkbox"/>	<input type="checkbox"/>	<input type="checkbox"/>	105.0#	3356	3501	3565	3356	3565	3546	3747	3851	3958	4046	514
ST5UB	5 Seats, 0 In-Line Table	ST5EAUB/S5/IT0	<input type="checkbox"/>	<input type="checkbox"/>			<input type="checkbox"/>	<input type="checkbox"/>	110.0#	3444	3623	3703	3444	3703	3685	3931	4063	4196	4306	643
 <p>Upholstered Seat and Back - Arms</p> <ul style="list-style-type: none"> Optional in-line tables 1 seat, 0 in-line table models must connect to a corner table Corner table is ordered separately 	1 Seat, 0 In-Line Table	ST1AAUB/S1/IT0	<input type="checkbox"/>	<input type="checkbox"/>			<input type="checkbox"/>	<input type="checkbox"/>	35.0#	\$ 839	\$ 875	\$ 891	\$ 839	\$ 891	\$ 887	\$ 936	\$ 960	\$ 991	\$ 1010	\$ 129
	1 Seat, 1 In-Line Table	ST2AAUB/S1/IT1	<input type="checkbox"/>	<input type="checkbox"/>	<input type="checkbox"/>	<input type="checkbox"/>	<input type="checkbox"/>	<input type="checkbox"/>	49.0#	1405	1441	1455	1405	1455	1450	1500	1526	1553	1574	129
	2 Seats, 0 In-Line Table	ST2AAUB/S2/IT0	<input type="checkbox"/>	<input type="checkbox"/>			<input type="checkbox"/>	<input type="checkbox"/>	60.0#	1584	1657	1688	1584	1688	1679	1779	1832	1885	1930	257
	2 Seats, 1 In-Line Table	ST3AAUB/S2/IT1	<input type="checkbox"/>	<input type="checkbox"/>	<input type="checkbox"/>	<input type="checkbox"/>	<input type="checkbox"/>	<input type="checkbox"/>	74.0#	2242	2314	2362	2242	2362	2354	2454	2503	2560	2601	257
	3 Seats, 0 In-Line Table	ST3AAUB/S3/IT0	<input type="checkbox"/>	<input type="checkbox"/>			<input type="checkbox"/>	<input type="checkbox"/>	85.0#	2328	2439	2485	2328	2485	2472	2620	2700	2782	2848	384
ST1UB	3 Seats, 1 In-Line Table	ST4AAUB/S3/IT1	<input type="checkbox"/>	<input type="checkbox"/>	<input type="checkbox"/>	<input type="checkbox"/>	<input type="checkbox"/>	<input type="checkbox"/>	99.0#	2991	3095	3144	2991	3144	3131	3280	3360	3438	3504	384
ST2UB	4 Seats, 0 In-Line Table	ST4AAUB/S4/IT0	<input type="checkbox"/>	<input type="checkbox"/>			<input type="checkbox"/>	<input type="checkbox"/>	110.0#	3075	3221	3283	3075	3283	3266	3465	3569	3675	3764	514
ST3UB	3 Seats, 2 In-Line Tables	ST5AAUB/S3/IT2	<input type="checkbox"/>	<input type="checkbox"/>	<input type="checkbox"/>	<input type="checkbox"/>	<input type="checkbox"/>	<input type="checkbox"/>	118.0#	3645	3754	3801	3645	3801	3791	3939	4018	4096	4160	384
ST4UB	4 Seats, 1 In-Line Table	ST5AAUB/S4/IT1	<input type="checkbox"/>	<input type="checkbox"/>	<input type="checkbox"/>	<input type="checkbox"/>	<input type="checkbox"/>	<input type="checkbox"/>	129.0#	3731	3877	3941	3731	3941	3923	4120	4228	4333	4422	514
ST5UB	5 Seats, 0 In-Line Table	ST5AAUB/S5/IT0	<input type="checkbox"/>	<input type="checkbox"/>			<input type="checkbox"/>	<input type="checkbox"/>	140.0#	3822	4002	4079	3822	4079	4059	4306	4439	4571	4680	643

A **B** **C** **D** **E** **F** **G**

HOW TO ORDER

- Indicate the following information on order form:
- Quantity of each item.
 - Model number, including options. See "How To Build a Model Number".
 - Any special service required.

Note:

- The indicates that a choice is required.
- The absence of the indicates that no choice is required.
- Alpha-numeric characters in place of indicate that no other alternatives are available.

HOW TO BUILD A MODEL NUMBER

- A** Select basic model.
- B** Select frame color. Refer to the **Product Color Options** page in this price list.
- C** Select seat/back color. Refer to the **Product Color Options** page in this price list.
- D** Select surface finish for table. Refer to the **Product Color Options** page in this price list. Surface finish offerings are based on edge style selections.
- E** Select table edge color. Refer to the **Product Color Options** page in this price list. Edge color offerings are based on edge style selections.

- F** Select fire code.
 - NFR** - Compliance to TB 117-2013
 - FR** - Compliance to TB 133
 See pricing column for TB133 upcharge.

- G** Select upholstery grade/color. Refer to ki.com/fabrics

UPHOLSTERY INFORMATION

C.O.M. Upholstery
 C.O.M. requirement for 10 chairs or less with upholstered seat or upholstered seat and back is 3/4 yard per chair of 54" wide nondirectional fabric. For orders of 11 or more with upholstered seat and back. For complete information on ordering C.O.M. see "Ordering Customer's Own Material (C.O.M) Upholstery." section.

OPTIONS

California TB133 Fire Safety Code
 For California Technical Bulletin 133 compliant models, add the following upcharge:
 Added List Price = Per Model: see above "TB133 add to list price" upcharge.
 Added Lead Time = None

SPECIAL SERVICES

Special Carton Marking
 With specially marked information N/C

Shipping
 Ships **knocked down, FOB Green Bay, WI 54302, freight prepaid.** Freight class 70.

Specifications and prices are subject to change without prior notice.



	MODEL	Features	MODEL NUMBER				Approx. Packaged Weight	Delivered Pricing
			Basic Model	Frame Color	Surface Finish	Edge Color		
MSCT	Corner Table • Number of tables per arrangement • Plastic laminate with vinyl bullnose edge • For mounting modular units at a 90° angle • Two required for U-shaped configuration • One required for L-shaped configuration	Connects 2 units	TCT	<input type="checkbox"/> <input type="checkbox"/>	<input type="checkbox"/> <input type="checkbox"/> <input type="checkbox"/>	<input type="checkbox"/> <input type="checkbox"/> <input type="checkbox"/>	0.0#	\$ 760
HRDPT	Back Ganging Bar • Connects 2 units back-to-back • Powder coated to match base • Sold in pairs		DOP.GANG	<input type="checkbox"/> <input type="checkbox"/>			8.0#	\$ 254

A **B** **C** **D**

HOW TO ORDER

- Indicate the following information on order form:
- Quantity of each item.
 - Model number, including options. See "How To Build a Model Number".
 - Any special service required.

Note:

- The indicates that a choice is required.
- The absence of the indicates that no choice is required.
- Alpha-numeric characters in place of indicate that no other alternatives are available.

HOW TO BUILD A MODEL NUMBER

- A** Select basic model.
- B** Select frame color. Refer to the **Product Color Options** page in this price list.
- C** Select surface finish for table. Refer to the **Product Color Options** page in this price list.
- D** Select table edge color. Refer to the **Product Color Options** page in this price list.

SPECIAL SERVICES

Special Carton Marking

With specially marked information N/C

Shipping

Ships **knocked down, FOB Green Bay, WI 54302, freight prepaid.** Freight class 70.

Specifications and prices are subject to change without prior notice.



Task Cantilever Armchair



Armless Task Stool



ChangeUp Tablet Arm Task Chair

Features			
Poly, upholstered seat, or upholstered seat/back	•	•	•
Flex back	•	•	
General Dimensions			
Seat width	18"	18"	18"
Seat depth	18"	18"	18"
Seat height (upholstered - add 1")	17-1/4" - 22-1/4"	22-1/4" - 32-1/2"	17-1/4" - 22-1/4"
Overall Dimensions			
Width	27-1/2"	27-1/2"	29-1/2"
Depth	27-1/2"	27-1/2"	31" - 35-1/4"
Height	32-3/4" - 37-3/4"	37-3/4" - 48"	32-3/4" - 37-3/4"
Arms to floor	26" - 31"		27" - 33"

INFORMATION

C.O.M. Testing and Production Requirements

Not all materials are suitable for upholstering this product. A 1 yd. x 54" sample must be submitted and approved prior to acceptance of an order. If the fabric is directional in pattern or weave, the direction must be indicated on the submitted sample, and additional yardage may be requested.

Test samples must be sent to:

KI
Attn: C.O.M. Specialist
1687 Westminster Drive - Gate 3
Green Bay, WI 54302

Fabric Disclaimer

Fabric will be applied as swatched by the fabric manufacturer. Fabric that is required to be applied differently than is swatched will need a Product Modification Request written specifying the direction the fabric is to be applied.

Task chairs and task stools ship knock-down. Minimal assembly is required.

KI Color Match Program

KI offers the additional option of color matching paint, polypropylene, or wood stain through Product Modification Requests. Contact Customer Service for details.

Whatever you imagine, whatever you require, KI's Color Match program lets you pick your color!

[Color Match Process - Poly Seating Information can be found here.](#)

INFORMATION

Warranty

Refer to KI Terms & Conditions document or visit ki.com



Backrest

Injection-molded polypropylene with integral steel cantilever springs. The combination of the slotted polypropylene back and the spring steel provides a supportive flexing back. Springs are nominal 4.5 mm diameter chrome silicon valve spring wire.

Seat and Shroud

Injection-molded polypropylene, attached directly to the structure.

Optional Upholstered Seat

Molded urethane foam is attached to an injection-molded polypropylene seat board, then upholstered using a draw-string process. The assembled seat pad is attached to the seat by means of hidden fasteners. Note: Upholstered seat is required with translucent poly backs.

Optional Upholstered Back

A 1/2" thick urethane foam is attached to an injection-molded polypropylene back board, then upholstered using a draw-string process. The assembled back pad is attached to the back by means of fasteners, which are exposed and are color-matched to the polypropylene.

Underseat Structure

Support structure is 13-gauge steel die-formed, welded to a 1" O.D. by 14-gauge tubular steel cross member.

Frame Finishes

Baked-on electrostatically-applied 30-degree gloss epoxy powder-coat paint.

Base

Injection-molded, glass-reinforced nylon 5-blade base (black or warm grey for task chair and stool). Casters have high-impact thermoplastic double-wheels. A single control paddle under the seat operates the height-adjusting pneumatic cylinder.

Casters

Casters are double-wheel (60 mm) high-impact thermoplastic. High-impact plastic frame. Casters are monochromatic with base. Carpet or hard floor casters are offered. Hard floor casters are black only.

Arms

When equipped with optional cantilever arms, the supporting structure is 7/8" O.D. by 13-gauge tubular steel, welded directly to the seat support structure, and matching the seat and back color. The armcaps are injection-molded glass filled polypropylene, matching the seat and back color (when back is Diamond translucent, armcaps are Light Tone; when back is Pewter translucent, armcaps are Flannel). The armcaps are attached to the steel structure by means of screws.

Task Stool

In addition to the standard-height task chair, a stool-height version is available. Task stools are equipped with a pneumatic cylinder, allowing adjustment of seat heights from 22" to 32 1/2". Task stools receive a twist-to-lock, adjustable-height, 20" diameter chrome-plated steel foot ring with black, die-cast aluminum hub and spokes. Stools are only offered with black or warm grey bases. The cylinders are available in black only.

Comfort-Tilt Mechanism

Optional comfort-tilt mechanism is comprised of a die-cast aluminum main housing and a steel mounting plate, with four internal steel coil compression springs. The mechanism provides 7-degrees of rearward tilt and 4-degrees of forward tilt. The tilt resistance is not adjustable. A single lever allows for seat-height adjustment.

ChangeUp™ Tablet Arm

ChangeUp tablet support is integral to the chair frame and consists of a 7/8" diameter solid steel rod welded to the front and rear support tubes. A three-piece molded plastic armrest is included and attached to the chair frame using a #10 x 2 1/2" Phillips pan head tapping screw.

The tablet mechanism consists a die-cast aluminum housing, upper and lower plastic bearings, and 11-gauge steel clamp and tablet board support plates. The tablet mechanism is clamped onto the chair frame over two plastic bushing halves and a 5/16" diameter by 1 3/4" hardened steel pin with a die-cast aluminum cap secured with two 1/4-20 x 3/4" button socket head cap screws. The pin creates a solid 90° up/down pivot stop and the bushings provide a smooth, quiet operation. In the use position, the tablet mechanism rotates outward from the chair back an additional 20° and permits approximately 3 1/2" of adjustment for ingress/egress without stowing the tablet.

The tablet worksurface is 21" wide by 13 1/2" deep (235 square inches) is secured to the tablet board support plate with twelve #12 x 5/8" Phillips flat head tapping screws. The tablet board is made of 18 mm Baltic Birch plywood with .040" high-pressure laminate top surface and .02" thick phenolic backer surface for an overall board thickness of approximately 3/4". Edges are lacquered with a clear finish and sealed. The factory installed tablet assembly is not field installable and may not be removed.

Weight Rating

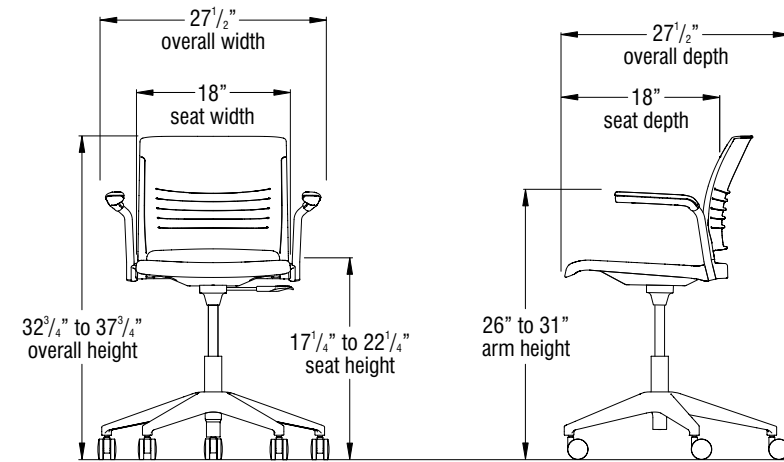
ChangeUp tablet arm can support a 250 lb static load.

Compliance

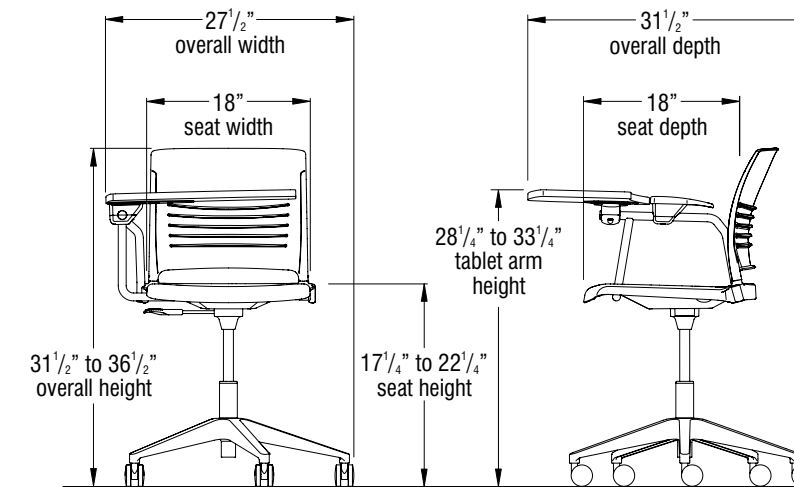
Strive seating is designed and manufactured to meet or exceed required ANSI/BIFMA X5.1- 2011 Seating. Seat functional weight rating for Strive task chair is 400 lb, and seat functional weight rating for Strive task stool is 350 lb, as conducted by and within KI's Accredited Test Lab.



Strive Task Cantilever Armchair

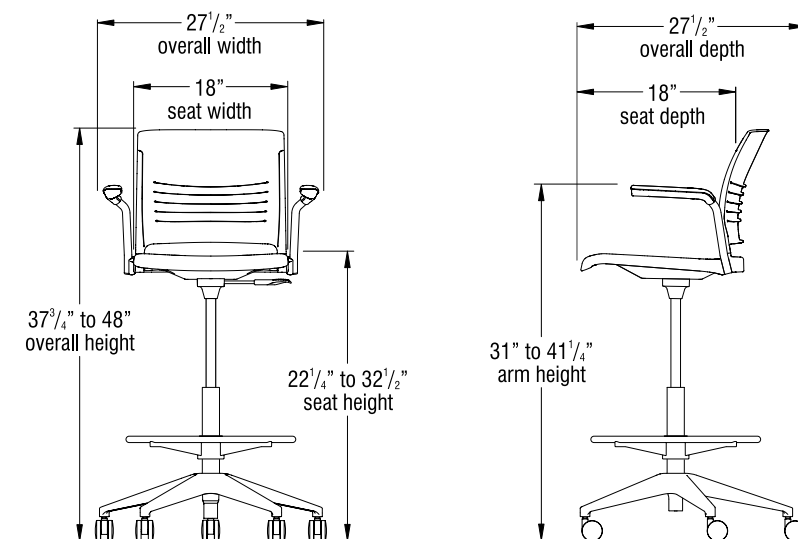


Strive Task ChangeUp Tablet Armchair

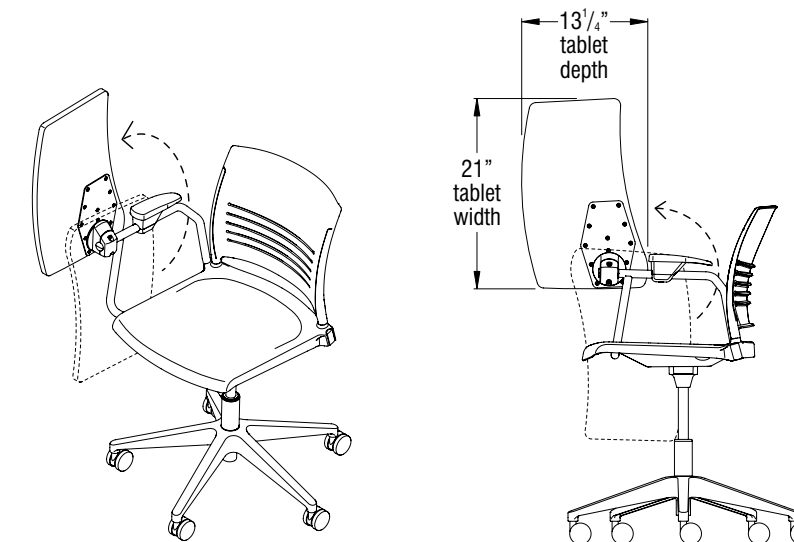


Note: The ChangeUp tablet worksurface is designed to be level when in use and may appear to have a slight upward angle when not in use.

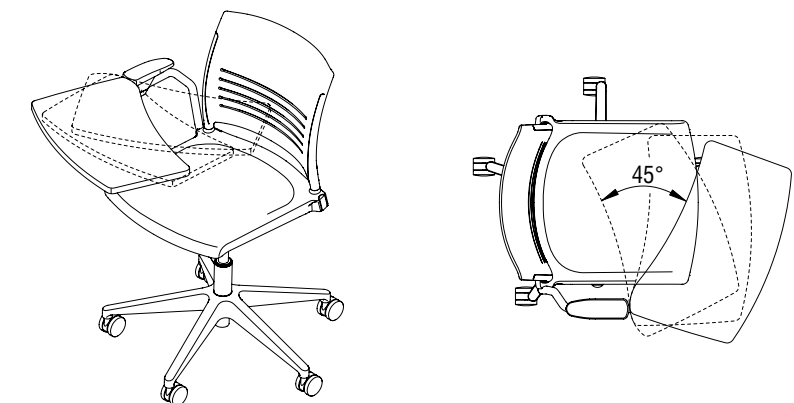
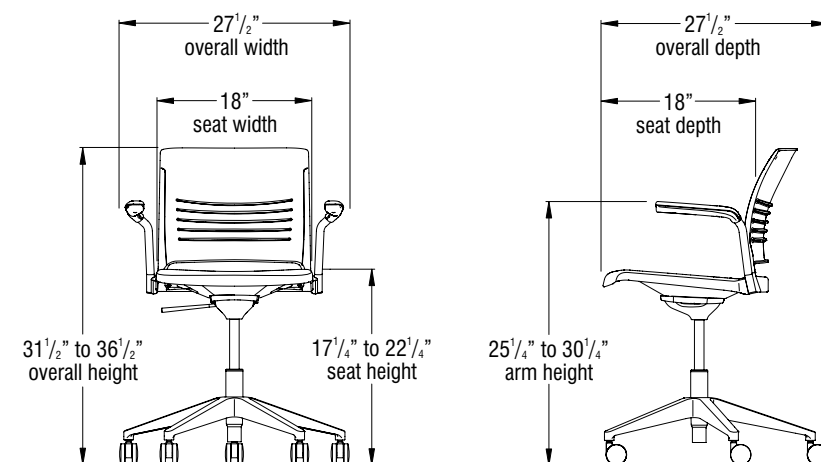
Strive Task Cantilever Arm Stool



ChangeUp Tablet Arm

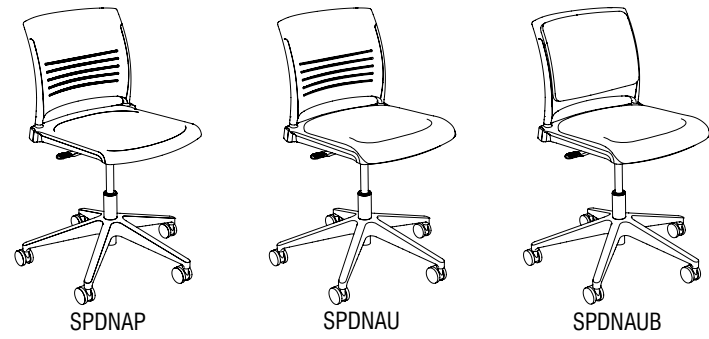


Strive Task Armless Chair with Comfort-Tilt Option

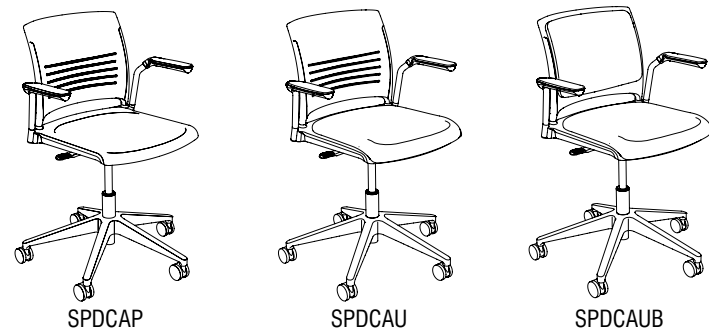




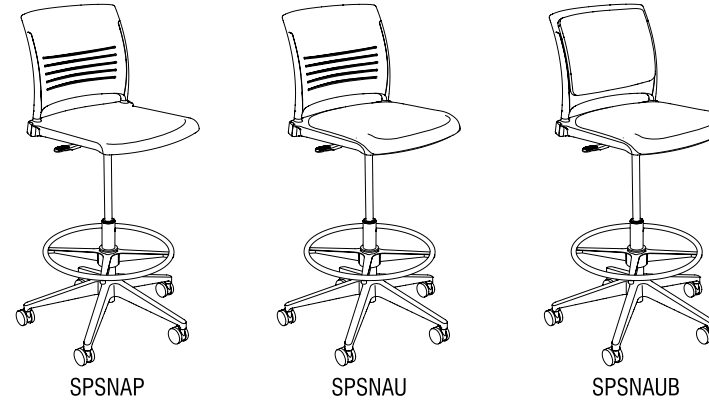
Strive Task Armless Chair



Strive Task Cantilever Armchair



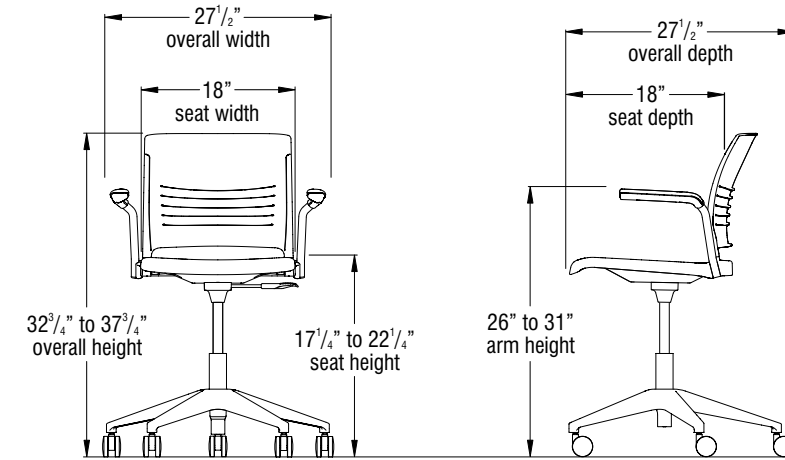
Strive Task Armless Stool



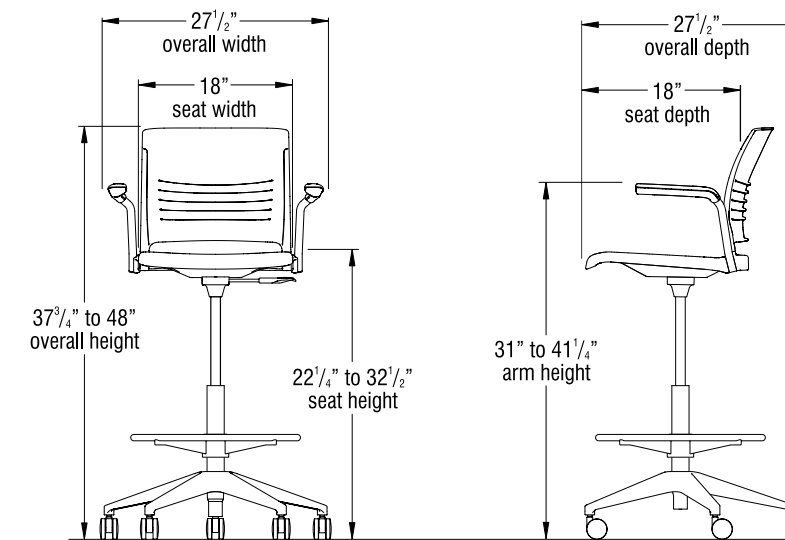
Strive Task Cantilever Arm Stool



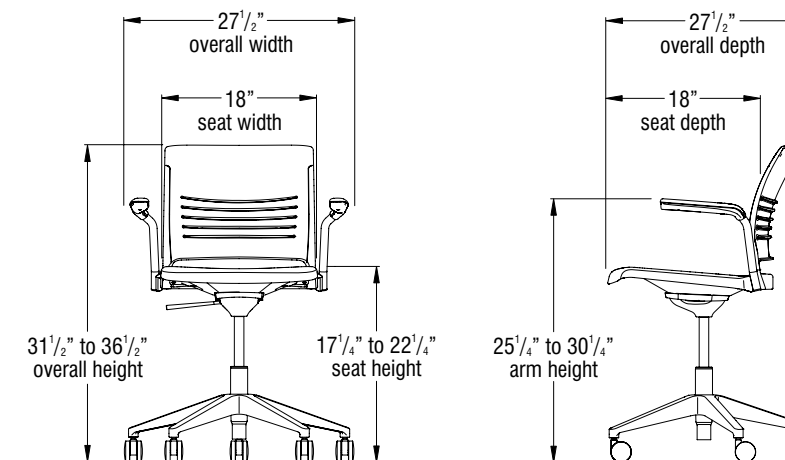
Strive Task Cantilever Armchair



Strive Task Cantilever Arm Stool



Strive Task Armless Chair with Comfort-Tilt Option



**Base/Caster Color**

Black	BL
Warm Grey	WG

Hard floor casters are black only.

Base color selection for black includes; black base, black cylinder and black carpet or hard floor casters.

Base color selection for warm grey includes; warm grey base, warm grey cylinder and warm grey carpet casters (hard floor casters not available in warm grey).

Stool cylinder is always black.

Shell Color - Polypropylene Non-Flame Retardant

Black	PBL
Blue Grey	PGR
Cayenne	PCY
Cool Grey	PCG
Cottonwood	PCO
Diamond Translucent*	PDT
Earthen Clay	PEY
Everglade Shade	PEV
Flannel	PFN
Hazy Jade	PHJ
Honey Bee	PHY
Light Tone	PLG
Mardi Gras	PMG
Misty Brown	PMY
Nemo	PNE
Nordic	PND
Pewter Translucent*	PPT
Poppy Red	PPR
Purple Haze	PPH
Rainforest	PRQ
Raw Jasper	PRJ
Rubber Ducky	PRK
Sand	PSA
Sky Blue	PSK
Surf's Up	PSP
Tarragon	PTQ
Twilight Shadow	PTI
Ultra Blue	PUB
Warm Grey	PWG
Zesty Lime	PZL

*Diamond Translucent and Pewter Translucent are only available on upholstered seat models.

Shell Color - Polypropylene Flame Retardant

Black	PBL
-------	-----

The above seating product can be manufactured using the appropriate flame-retardant materials for compliance to California Technical Bulletin 133.

Steel tube arm support and armcaps will match poly seat and back.

*NOTE: When FR upholstery is selected, FR poly (black only) must be selected. NFR poly is not available with FR upholstery.

Tablet Arm Color - Laminate

Beigewood	LBZ
Belair	LBQ
Blitmore Cherry	LBT
Black	LBK
Brighton Walnut	LBW
Canyon Zephyr	LCA
Castle Oak	LCO
Casual Linen	LCU
Cherry Storm	LCX
Classic Linen	LCI
Cloud Zephyr	LCL
Cocobala	LCC
Crisp Linen	LRI
Desert Zephyr	LDZ
Designer White	LDR
Dove Grey	LDG
Flax Linen	LXF
Florence Walnut	LFC
Forged Steel	LOL
Friston Ash	LFH
Frosty White	LFW
Graphite Nebula	LGN
Grey	LGE
High Rise	LHE
Hollyberry	LHY
Island	LID
Italian Silver Ash	LIT
Kensington Maple	LKM
Lapis Blue	LLB
Markerboard White	LMK
Misted Zephyr	LMR
Monticello Maple	LMT
North Sea	LNA
Ocean	LON
Pearl Bisque	LPB
Pinnacle Walnut	LPW
Pressed Linen	LPR
River Cherry	LRY
Satin Stainless	LSS
Shadow Zephyr	LSR
Silicon evolv	LSV
Sterling Ash	LAZ
Tailored Linen	LTL
Titanium evolv	LTV
White Nebula	LWL
White Sand	LWN
Windsor Mahogany	LWY



Finish Cards

View color swatches for items listed within this document.

Paints**Plastics/Poly****Wood/Veneer****Laminates****Molded Edges****Edge Styles****Hard Plastics****Glass**

Certain options referenced may not be available on GSA Schedule.



MODEL	Features	MODEL NUMBER						Approx. Packaged Weight	Delivered Pricing Unupholstered	Delivered Pricing Fabric Grade 1 & C.O.M.	Delivered Pricing Fabric Grade 2	Delivered Pricing Fabric Grade 3	Delivered Pricing C.O.V.	Delivered Pricing Vinyl Group 2V	Delivered Pricing Pallas Fabric Group P0	Delivered Pricing Pallas Fabric Group P1	Delivered Pricing Pallas Fabric Group P2	Delivered Pricing Pallas Fabric Group P3	Delivered Pricing Pallas Fabric Group P4
		Basic Model	Base Color	Fire Code	Poly Seat/Back Color	Casters	Upholstery Color												
 Task Armless Chair • Flex back	Polypropylene	SPDNAP	<input type="checkbox"/>	<input type="checkbox"/>	<input type="checkbox"/>	<input type="checkbox"/>	32.0#	\$ 430											
	Upholstered Seat	SPDNAU	<input type="checkbox"/>	<input type="checkbox"/>	<input type="checkbox"/>	<input type="checkbox"/>	35.0#	N/A	515	552	570	515	570	567	617	645	673	697	
	Upholstered Seat/Back	SPDNAUB	<input type="checkbox"/>	<input type="checkbox"/>	<input type="checkbox"/>	<input type="checkbox"/>	35.0#	N/A	584	622	640	584	640	639	688	715	743	767	
 Task Cantilever Armchair • Flex back	Polypropylene	SPDCAP	<input type="checkbox"/>	<input type="checkbox"/>	<input type="checkbox"/>	<input type="checkbox"/>	35.0#	\$ 511											
	Upholstered Seat	SPDCAU	<input type="checkbox"/>	<input type="checkbox"/>	<input type="checkbox"/>	<input type="checkbox"/>	38.0#	N/A	593	631	648	593	648	646	696	721	750	773	
	Upholstered Seat/Back	SPDCAUB	<input type="checkbox"/>	<input type="checkbox"/>	<input type="checkbox"/>	<input type="checkbox"/>	38.0#	N/A	662	698	717	662	717	716	766	793	819	842	
			A	B	C	D	E	F											

HOW TO ORDER

- Indicate the following information on order form:
- Quantity of each item.
 - Model number, including options. See "How To Build a Model Number".
 - Any special service required.

Note: • The indicates that a choice is required.

- The absence of the indicates that no choice is required.
- Alpha-numeric characters in place of indicate that no other alternatives are available.

HOW TO BUILD A MODEL NUMBER

- A** Select basic model.
- B** Select base color.
Refer to the **Product Color Options** page in this price list.
Includes base, cylinder, and carpet casters (hard floor casters are always black).
- C** Select fire code.
FR - Compliance to TB 133
NFR - Compliance to TB 117-2013
- D** Select poly seat and back color.
Refer to the **Product Color Options** page in this price list.
- E** Select caster option.
S - Hard floor casters (black only)
C - Carpet casters
- F** Select upholstery grade/color.
Refer to ki.com/fabrics

OPTIONS

- California TB133 Fire Safety Code**
For California Technical Bulletin 133 compliant models, add the following upcharge:
- Model=Polypropylene
Added List Price=\$13
 - Model=Upholstered Seat
Added List Price=\$91
 - Model=Upholstered Seat and Back
Added List Price=\$129

UPHOLSTERY INFORMATION

C.O.M. Upholstery
C.O.M. requirement for 10 chairs or less with upholstered seat or upholstered seat and back is 3/4 yard per chair of 54" wide nondirectional fabric. For orders of 11 or more with upholstered seat and back. For complete information on ordering C.O.M. see "Ordering Customer's Own Material (C.O.M) Upholstery." section.

SPECIAL SERVICES



Special Carton Marking

With specially marked information N/C

Shipping
Ships **knocked down, FOB Green Bay, WI 54302, freight prepaid.** Freight class 100.

Specifications and prices are subject to change without prior notice.



MODEL	Features	MODEL NUMBER						Approx. Packaged Weight	Delivered Pricing Unupholstered	Delivered Pricing Fabric Grade 1 & C.O.M.	Delivered Pricing Fabric Grade 2	Delivered Pricing Fabric Grade 3	Delivered Pricing C.O.V.	Delivered Pricing Vinyl Group 2V	Delivered Pricing Pallas Fabric Group P0	Delivered Pricing Pallas Fabric Group P1	Delivered Pricing Pallas Fabric Group P2	Delivered Pricing Pallas Fabric Group P3	Delivered Pricing Pallas Fabric Group P4
		Basic Model	Base Color	Fire Code	Poly Seat/Back Color	Casters	Upholstery Color												
 Task Armless Stool • Flex back	Polypropylene	SPSNAP	<input type="checkbox"/>	<input type="checkbox"/>	<input type="checkbox"/>	<input type="checkbox"/>	37.0#	\$ 552											
	Upholstered Seat	SPSNAU	<input type="checkbox"/>	<input type="checkbox"/>	<input type="checkbox"/>	<input type="checkbox"/>	39.0#	N/A	638	673	692	638	692	689	738	768	795	814	
	Upholstered Seat/Back	SPSNAUB	<input type="checkbox"/>	<input type="checkbox"/>	<input type="checkbox"/>	<input type="checkbox"/>	39.0#	N/A	705	743	761	705	761	759	808	837	865	886	
 Task Cantilever Arm Stool • Flex back	Polypropylene	SPSCAP	<input type="checkbox"/>	<input type="checkbox"/>	<input type="checkbox"/>	<input type="checkbox"/>	39.0#	\$ 631											
	Upholstered Seat	SPSCAU	<input type="checkbox"/>	<input type="checkbox"/>	<input type="checkbox"/>	<input type="checkbox"/>	41.0#	N/A	715	750	769	715	769	766	813	842	872	894	
	Upholstered Seat/Back	SPSCAUB	<input type="checkbox"/>	<input type="checkbox"/>	<input type="checkbox"/>	<input type="checkbox"/>	41.0#	N/A	783	819	838	783	838	835	883	913	940	962	
			A	B	C	D	E	F											

SPSP
SPSU
SPSUB

SPSP
SPSU
SPSUB

HOW TO ORDER

- Indicate the following information on order form:
- Quantity of each item.
 - Model number, including options. See "How To Build a Model Number".
 - Any special service required.

Note: • The indicates that a choice is required.
 • The absence of the indicates that no choice is required.
 • Alpha-numeric characters in place of indicate that no other alternatives are available.

HOW TO BUILD A MODEL NUMBER

- A** Select basic model.
- B** Select frame color.
Refer to the **Product Color Options** page in this price list.
Includes base, cylinder, and carpet casters (hard floor casters are always black).
- C** Select fire code.

NFR	- Compliance to TB 117-2013
FR	- Compliance to TB 133
- D** Select poly seat and back color.
Refer to the **Product Color Options** page in this price list.
- E** Select caster option.

S	- Hard floor casters (black only)
C	- Carpet casters
- F** Select upholstery grade/color.
Refer to ki.com/fabrics

OPTIONS

- California TB133 Fire Safety Code**
For California Technical Bulletin 133 compliant models, add the following upcharge:
- Model=Polypropylene
Added List Price=\$13
 - Model=Upholstered Seat
Added List Price=\$91
 - Model=Upholstered Seat and Back
Added List Price=\$129

UPHOLSTERY INFORMATION

C.O.M. Upholstery
C.O.M. requirement for 10 chairs or less with upholstered seat or upholstered seat and back is 3/4 yard per chair of 54" wide nondirectional fabric. For orders of 11 or more with upholstered seat and back. For complete information on ordering C.O.M. see "Ordering Customer's Own Material (C.O.M) Upholstery." section.

SPECIAL SERVICES

Special Carton Marking

With specially marked information N/C

Shipping
Ships **knocked down, FOB Green Bay, WI 54302, freight prepaid.** Freight class 100.

Specifications and prices are subject to change without prior notice.



1330 BELLEVUE STREET
GREEN BAY, WI 54302
800.424.2432 / KI.COM

KI is a trusted expert for furniture and wall systems around the globe.
USA | CANADA | MEXICO | UK | EUROPE | ASIA | MIDDLE EAST
© 2023 Krueger International, Inc. All Rights Reserved.