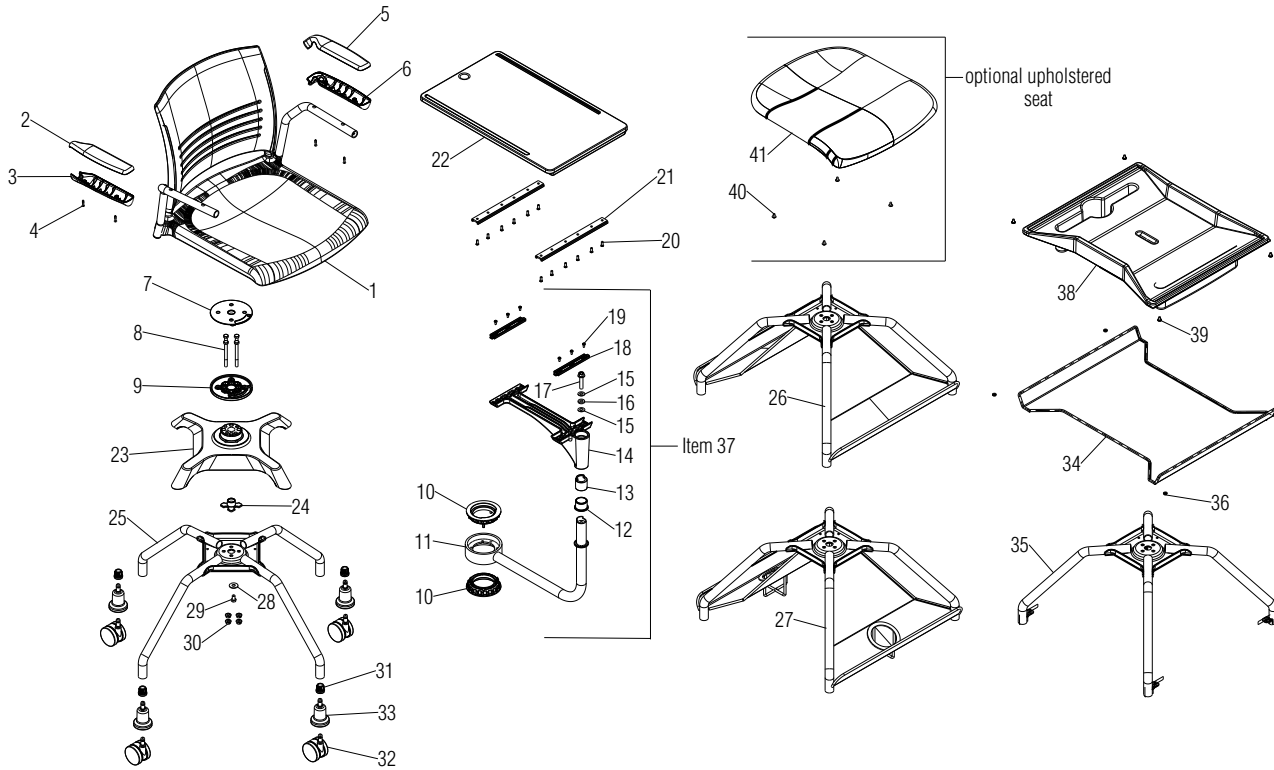


# Parts Diagram

Learn2™ Classroom Furniture

Strive® Seating Armchair with Plastic Worksurface  
With and Without Accessories

November 2023



XX = Select Color

Item	Part Number	Item Description	Req Qty	Item	Part Number	Item Description	Req Qty
1	2SRS	Chair, Strive Pressure Fit with Arms	1	22	L2RWS	Assembly, Plastic Tablet Board	1
2	46.5384.RH.XX.X	Cap, Upper Closed End Arm, RH	1	23	47.1001.BL.X	Casting, 4-Leg Frame	1
3	46.5383.RH.XX.X	Cap, Lower Closed End Arm, RH	1	24	47.1009.X	Bushing, Seat Swivel	1
4	12.0696.X	Screw, #8 x 5/8 TX OV HD T-B BLK OX	4	25	47.1014.XX.X	Weldment, Chair Frame	1
5	46.5384.LH.XX.X	Cap, Upper Closed End Arm, LH	1	26	47.1014.BK.XX.X	Weldment, Bookrack No Cup Holder	1
6	46.5383.LH.XX.X	Cap, Lower Closed End Arm, LH	1	27	47.1014.CP.XX.X	Weldment, Chair Frame with Cup Holder Bookracks	1
7	47.1035.X	Bushing, Seat Swivel with Spacer and Bumpers	1	28	12.2206.X	Washer, 5/16 x 1 O.D.	1
8	12.2205.X	Screw, 5/16-18 x 3 1/4 Hex Head GR2 Machine	4	29	12.2207.X	Screw, 5/16-18 x 1/2 Hex Head w/ Patch	4
9	47.1002.BL.X	Casting, Upper Bearing Mount	1	30	12.1154.X	Nut, 5/16-18 Hex Flange Centerlock BLK ZC	4
10	47.1010.X	Bushing, Tablet Arm Rotation Around Seat	2	31	46.0386.BL.X	Bushing, 13 Gage Tube Caster	4
11	47.1012.XX.X	Weldment, Tablet Arm	1	32	09.0440.BL.X	Caster, 60mm Diameter Carpet	4
12	47.1041.BL.X	Bushing, Bottom 2 Piece Arm Tube	1		09.0441.BL.X	Caster, 60mm Diameter Hard Floor	4
13	47.1038.BL.X	Bushing, Top 2 Piece Arm Tube	1	33	10.0150.X	Glide, Bell	4
14	47.1000.A.BL.X	Casting, Tall Tablet Arm Gusset	1	34	47.1042.XX.X	Weldment, Flat Bookrack	1
15	12.2200.X	Washer, 3/8 Hardened for Thrust Washer Stack	2	35	47.1014.FB.XX.X	Weldment, Flat Bookrack Chair Frame	1
16	12.2202.X	Washer, 3/8 Solid Bronze Thrust	1	36	12.0023.TM.X	Nut, #10-24 Hex w/ Lock Washer	4
17	12.2204.X	Screw, 3/8-16 x 1 3/4 Hex Serrated Flange Head Machine	1	37	47.1012.XX.ASMX	Assembly, Tablet Arm (includes Items 10-19)	1
18	47.1007.X	Carriage, Tablet Belly Room Overmolded Slide	2	38	47.1097.XX.X	Bookrack, Flat Plastic	1
19	12.2203.X	Screw, #8-32 x 3/8 Torx PH Tri-Lobe T/F CLR ZINC	6	39	12.0838.X	Screw, #12-16 x .38" #10 Truss Head	4
20	46.0466.X	Screw, K-50 2.24 x 13mm	12	40	12.0111.XX.X	Screw, #10-24 x 3/8" PTH M/S ZC w/ PATCH	4
21	47.1003.X	Rail, Tablet Slide	2	41	STRRC	Assembly, Upholstered Seat Cushion	1

