



INTELLECT WAVE[®] CLASSROOM FURNITURE

PRICE LIST

EFFECTIVE SEPTEMBER 24, 2024
800.424.2432



Ordering Customer's Own Material (C.O.M.) Upholstery

Information	3
-------------	---

Intellect Wave® Classroom Furniture

Technical Specifications	4
Product Color Options	16

Intellect Wave® Classroom Furniture (Freight Excluded)

Cantilever Chair	17
Cantilever Chair w/Rocker Kit	18
4-Leg Chair	19
Music Chair	21
4-Leg Chair with Casters	22
Task Chair	23
Task Stool	24
Cafe Stool	25
Dolly	26
Cantilever Desk	27
Sit/Stand Cantilever Desk	29
4-Leg Desk	30
Trapezoid Desk	32
Tripod Desk	33
Double Entry Desk	34
XL Double Entry Desk	35

Intellect Wave® Classroom Furniture (Delivered)

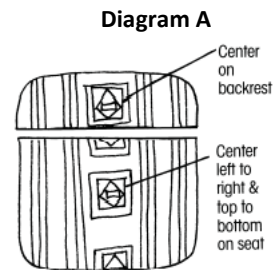
Cantilever Chair	36
Cantilever Chair w/Rocker Kit	37
4-Leg Chair	38
Music Chair	39
4-Leg Chair with Casters	40
Task Chair	41
Task Stool	42
Cafe Stool	43
Dolly	44
Cantilever Desk	45
Sit/Stand Cantilever Desk	47
4-Leg Desk	48
Trapezoid Desk	50
Tripod Desk	51
Double Entry Desk	52
XL Double Entry Desk	53



How to Specify

As a standard procedure, KI applies seating upholstery as swatched by the textile distributor. Reference distributor's website. Upholstery that is required to be applied differently than is swatched, will need a Product Modification Request written specifying the direction the upholstery is to be applied.

Seating upholstery requiring specific positioning of intricate patterns or patterns repeats on seats and backrests, will need a Product Modification Request written including a sketch noting the specific requirements, as in Diagram A.



When directional or patterned fabrics are used, they often require more yardage than solid colors.

C.O.M. must be supplied in continuous yardage.

C.O.M. yardage requirements accompanying products in the pricing section are for 10 chairs/seats or less, 54" wide nondirectional material. On larger orders, less material is required.

Leather hides must be a minimum of 50 square feet of usable material. The outer edges cannot be calculated as square feet or yardage. To determine square footage, multiply unit yardage by 18 square feet to obtain the total square footage required per unit.

For exact production yardage requirements, call 1-800-424-2432, ext. 2707.

Production

Customer's upholstery must be approved prior to acceptance for production.

After approval, a memo swatch of the C.O.M. from the textile distributor must accompany the order. KI assumes no responsibility for wear, defects, or performance of C.O.M. upholstery.

C.O.M. not received into the appropriate facility 3 weeks prior to acknowledged delivery date may go on hold. See KI C.O.M. Shipping Location listing for the correct facility address by product.

Testing

When KI requires testing, actual yardage to upholster one chair may be required. The C.O.M. Specialist will confirm model and fabric testing requirements when applicable.

Approved test samples will be applied to the order or will be held for 6 months. After 6 months, the sample will no longer be applied to your order. For all product testing, send fabric samples to the manufacturing facility. See KI C.O.M. Shipping Location listing for the correct facility address by product.

All C.O.M. must be labeled with the KI product order number and customer purchase order number.

Treated Materials

If C.O.M. requires processing such as a stain resistance treatment or acrylic backing, it may shrink. To prevent delays in delivery or back ordering due to shrinkage, please have your processor verify measurement after processing and assure adequate yardage shipped.

Split Orders

If a portion of the shipment which does not require C.O.M. application is to be processed and shipped early, KI will enter the order immediately at your request. These split shipments are subject to minimum order changes.

Excess Upholstery Material

KI will dispose of excess upholstery material at the time of shipment unless expressly requested to return it with the product shipment.

Cancelled or Changed Orders

KI assumes no responsibility for extra C.O.M. due to a change of upholstery or cancellation of an order. If it the customer's responsibility to arrange for return of the material.

Contact the C.O.M. Specialist at 1-800-424-2432, ext. 2707, with questions or to request a split order.

C.O.M. SHIPPING LOCATION

Architectural Walls	Universal Overheads..... MN	MyWay Seating.....HN
Evoke..... MN	Wireworks MN	Oath Task Chairs and Stools..... GB
Genius Walls..... MN	Unite..... MN	Opt4..... GB
Casegoods	Residence Hall Furniture	Pilot Task Chairs..... OM
Aristotle Tackboards.....MN	RoomScope Furniture MN	Promenade Seating SystemBW
Likha Tackboards.....MN	Screens	Ruckus..... GB
Classroom Furniture	All Terrain.....KP	Sela Lounge SeatingHN
Intellect Wave Chairs..... GB	Connection Zone.....BW	Sift Task Chairs GB
Learn2 GB	Tributaire.....BW	Signia Task Chairs and StoolsOM
Ruckus.....GB	True/VolitionKP	Soltice Metal Collection.....HN
Desking	Genesis..... KP	Soltice Multiple, Healthcare & Guest .HN
700 Series Desking KP	Tattoo..... MN	Soltice II Healthcare Seating.....HN
Balance Overheads MN	Universal.....BW	SonrisaHN
Genesis Desking..... MN	Seating	Strive Multiple, Stack & Task GB
True Desking..... KP	600 Series Folding Chairs.....BW	SwayBN
Universal Overheads..... MN	600 Series StoolsBW	Tattoo.....HN
WorkZone Desking..... MN	Affina Collection.....HN	Torsion-on-the-Go! Nesting Chairs GB
Files & Storage	Altus Task Chairs..... GB	Torsion Air Stack and Task Seating ... GB
700 Series Pedestal Cushion GB	Apply Stack Chairs..... GB	ZekerHN
Connection Zone Pads.....BW	Calida Lounge SeatingHN	ZoetryHN
U-Series Pedestal Cushion..... GB	Diem Task Chairs OM	
Tattoo.....BW	Doni Collection..... GB	
Fixed Seating	Gladly Lounge SeatingVQ	
Concerto Auditorium SeatingBW	Grazie Seating..... GB	
Single Pedestal Seating GB	Hub Modular Lounge SeatingHN	
Jury Base Seating..... GB	Impress Task Chairs OM	
Lancaster Auditorium SeatingBW	Impress Ultra Task Chairs OM	
Sequence Seating..... GB	Jessa Lounge Seating.....HN	
University Seating..... GB	Jubilee Lounge Seating.....VQ	
Panel Systems	Katera..... GB	
All Terrain.....KP	Kurv Benches.....HN	
Balance Overheads MN	LimeLite..... GB	
	Lyra Lounge Seating.....HN	
	Medical & Laboratory Stools..... OM	
	MyPlace Lounge SeatingHN	

KI C.O.M. Manufacturing Site Addresses:

BW KI Bonduel Attn: COM Storage 204 West South St. Bonduel, WI 54107	HN KI High Point Attn: COM Storage 217 Feld Avenue High Point, NC 27263	MN KI Manitowoc Attn: COM Storage 1400 S. 41st St. Manitowoc, WI 54220	VQ KI Attn: COM Fabrics 6892 Marlin Circle La Palma, CA 90623
GB KI Green Bay Attn: COM Storage 1687 Westminster Drive - Gate 3 Green Bay, WI 54302	KP KI Pembroke Attn: COM Storage 1000 Olympic Dr. Pembroke, Ontario K8A6X7	OM KI Attn: COM Storage 1110 S. Mildred Ave. Ontario, CA 91761	



TECHNICAL SPECIFICATIONS

Shell

One-piece contoured shells are made of static-free high-impact polypropylene. Colorfastness ensured through complete color impregnation throughout the molded part. Strength and durability are assured through an engineered internal structural cavity which eliminates the need for unsightly ribs on the back of the shell. Rolled edges for comfort and strength. Textured front and back. Wide, ergonomic handle molded into chair back for ease of mobility. Shell fastens to frame with six 1/4-20 x 5/8" Torx head screws. Upholstered chairs have partially exposed polypropylene surfaces. Fabric is upholstered over 9/16" foam on the seat and fastened to an inner shell with screws.

Frames

Cantilever Chair, 4-Leg Chair, 4-Leg Chair On Casters, Music Chair, Café Stools (24" & 30"), & Double-Entry Desk

Frames consist of 3/4" x 1/2" O.D. 14-gauge elliptical steel tubing welded to a 14-gauge steel plate. Frame may be nickel-chrome plated or finished in powder-coat paint after all welding processes are complete. Double-entry desk models IWDE and IWX are only available in powder-coat paint. Music chair has a forward-tilted (5°) seat back and an elevated seat height to promote a more upright posture.

Fixed-Height – 4-Leg Desk, Trapezoid Desk and Tripod Desk

Frame is of 3/4" x 1/2" O.D. 14-gauge elliptical steel tubing welded to a heavy 11-gauge steel plate. Frame is nickel-chrome plated or finished in powder-coat paint after all welding processes are complete. Legs fasten to top with K50 2.24 x 13 mm Torx head screws for hard plastic tops. Legs fasten to top with #12 x 3/4" Phillips pan head screws for laminate tops.

Fixed-Height – Cantilever Desk

Frame consists of 3/4" x 1/2" O.D. 14-gauge elliptical steel tubing welded to a heavy 11-gauge mounting bracket. Frame will be nickel-chrome plated or finished in powder-coat paint after all welding processes are complete. Frames fasten to top with K50 2.24 x 13 mm Torx head screws for hard plastic tops. Frames fasten to top with #12 x 3/4" Phillips pan head screws for laminate tops.

Adjustable-Height – 4-Leg Desk, Trapezoid Desk, Tripod Desk and ADA 4-Leg Desk

Top frame consists of 1 1/16" x 1" O.D. 11-gauge elliptical steel tube welded to a heavy 11-gauge steel plate. Top section is nickel-chrome plated or finished in powder-coat paint after all welding processes are complete. Telescoping lower section of 3/4" x 1/2" O.D. 14-gauge elliptical steel tube in bright chrome finish; locks with 1/4" screw in 1" increments in a 22"-34" height range. Legs fasten to top with K50 2.24 x 13 mm Torx head screws for hard plastic tops. Legs fasten to top with #12 x 3/4" Phillips pan head screws for laminate tops. Tripod desks have 7/16" diameter steel wire crossbrace welded to the three legs.

Adjustable-Height – Cantilever Desk, Sit/Stand Cantilever Desk and ADA Cantilever Desk

Top section of frame is constructed from 3/4" x 1/2" O.D. 14-gauge elliptical steel tube welded to a heavy 11-gauge steel mounting bracket. Top section is nickel-chrome plated or finished in powder-coat paint after all welding processes are complete. Telescoping lower section and section with footrest for sit/stand desk, is in bright chrome finish; locks with 1/4" screw in 1" increments. Adjustable-height range is 24"-30", sit/stand height range is 29"-41" and ADA height range is 28"-34". Legs fasten to top with K50 2.24 x 13 mm Torx head screws for hard plastic tops. Legs fasten to top with #12 x 3/4" Phillips pan head screws for laminate tops. Unique to the sit/stand cantilever desk, the desktop is slanted 3.5 degrees towards the user side.

TECHNICAL SPECIFICATIONS

Frames (cont.)

Task Chair and Task Stool

The frame is constructed of a 12-gauge base plate, powder-coated black.

Task Chair with Tilt Mechanism

The tilt mechanism is attached to the underside of the chair with a 10-gauge steel mounting plate.

Pneumatic Height Adjustment

Task Chair and Task Stool

Lever-activated pneumatic cylinder enables seat height adjustment from 16 1/2" to 21 1/2" (large chair), 14" to 16 1/2" (medium chair) and 20 1/2" to 30 3/4" (stool).

Tilt Mechanism

Armless Task Chair Only

Tilt control is a stamped, welded mechanism with a coil spring to supply the force with a tension adjustment knob. The control also utilizes a single lever for both height adjustment and tilt lock. The at-rest seat angle is 3.5° with a total rearward travel of 19.5°.

Task Base

Task Chair

Base is 24" injection-molded glass-reinforced nylon 5-blade design, in black only.

Task Stool

Base is 26" injection-molded glass-reinforced nylon 5-blade design, in black only.

Foot Ring

Task stools are equipped with a twist-to-lock, adjustable-height, 20" diameter chrome-plated steel foot ring with black, die-cast aluminum hub and spokes.

Top

Cantilever Desk, 4-Leg Desk, Linear Tripod Desk and Double-Entry Desk

Solid hard plastic tops are 5/8" thick, of molded thermoset plastic and come with a pencil groove. Offered also is a top of 3/4" thick high-density particleboard core covered with .030" high-pressure laminate top and .020" phenolic backing sheet and 73P polypropylene edge, without a pencil groove.

Hard Plastic tops, excluding ADA option, offer a straight front top or user-comfort curve front top, have 2 3/8" radius corners and measures 19" x 26". ADA option is available in straight front style only without pencil groove, and measure 36 5/32" x 20".

Contour Tripod Desk

High-density particleboard core covered with .030" high-pressure laminate top and .020" phenolic backing sheet and 73P polypropylene edge.

Armrest

Task Chair And Task Stool

A tubular steel frame supports self-skinning urethane armrests. The support is bolted to the seat underside. Armrest paint color and top pad are always black. (Field installable). Arms are not available on chairs with tilt mechanisms.



TECHNICAL SPECIFICATIONS

Accessories

Book Bag Hook

Optional book bag hook is formed from 1/4" solid wire rod. Chrome finish provides long lasting wear resistance. Fastens to underside of top with two K5O 2.24 x 13 mm Torx head screws for hard plastic tops. Fastens to underside of top with two #12 x 3/4" Phillips pan head screws for laminate tops.

Book Basket (under desk)

Optional book basket is made of chrome plated 7 mm diameter solid steel wire. Fastens to underside of top with eight K5O 2.24 x 13 mm Torx head screws for hard plastic tops. Fastens to underside of top with eight #12 x 3/4" Phillips pan head screws for laminate tops.

Small & Large Polypropylene Book Boxes (under desk)

Optional solid molded thermoplastic polypropylene book box. Translucent finish helps provide safe environment while allowing for some degree of personal privacy. Molded-in pencil tray keeps items conveniently inside book box within easy reach, not on the floor or in the back of the book box. Fastens to underside of top with nine #12 x 3/4" Phillips pan head screws. Small and large poly book boxes are only available on Ruckus Post-Leg Desks.

Small & Large Steel Book Boxes (under desk)

Optional formed sheet steel book box is constructed of 16-gauge cold-rolled steel (C.R.S) and features a powder-coat painted finish in select KI colors. Fastens to underside of top with six #12 x 3/4" Phillips pan head screws.

Book Rack (under chair)

Optional book rack has an external framework of 5/16" diameter solid wire rod attached to the chair frame with four 1/4-14 x 1" Tek screws. Cross braces of 5/16" diameter solid wire rod are welded between external framework.

Rocker

Optional rockers are field installed onto Wave cantilever frame chairs. Two rocker halves clamp onto each cantilever leg frame's foot tube, each pair using three #10 Allen socket head cap screws and locking nuts. Four rocker halves per chair. Rocker halves are made from molded clear polycarbonate plastic. Rockers are not usable on cantilever chairs with felt glides.

Glides

Swivel-type polished zinc-plated steel, nylon, or felt glides. KI recommends consulting with the floor manufacturer for specific glide recommendations. **Note:** Felt glides increase product height by 1/4".

Casters

Carpet Casters – Task Chair, Task Stool and 4-Leg Chair On Casters

Double wheels (50 mm) of high-impact thermoplastic. High-impact plastic frame. Black finish only.

Hard Floor Casters – Task Chair, Task Stool and 4-Leg Chair On Casters

Double wheels (55 mm) of soft plastic. High-impact plastic frame. Black finish only.

TECHNICAL SPECIFICATIONS

Transport Dolly

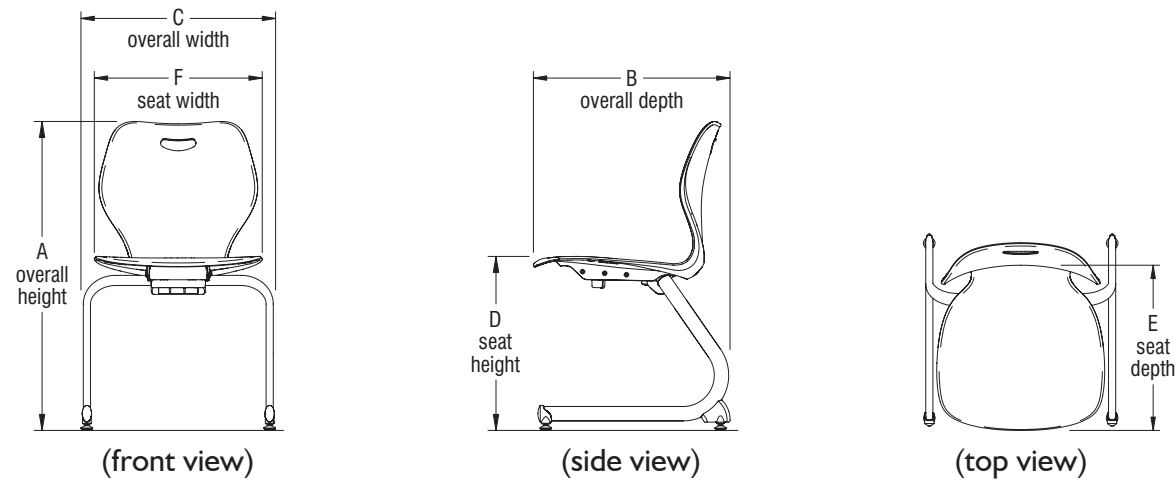
Frame is welded tubular steel construction with steel straps that are bent to conform to the nesting angle of the product being transported. Four steel casters (wheel housings) - two fixed and two swivel - are welded directly to the four corners of the dolly frame. Swivel casters have ball bearings for smooth operation. Wheels are 5" diameter by 1 3/8" wide hard rubber with Delrin bearings. Wheels are attached to the casters with 3/8" diameter bolts (axle). Black powder-coat finish.

	Stacking on Dolly Overall Dimensions			
	Qty	Width	Depth	Height
Extra Small 4-Leg				
Small 4-Leg				
Medium 4-Leg				
Medium 4-Leg Caster				
Large 4-Leg	10	22 1/2"	39"	65"
Large 4-Leg Caster	10	22 1/2"	39"	65"
Medium Music				
Large Music	5	22 1/2"	38"	53"
Small Cantilever				
Medium Cantilever				
Large Cantilever	7	22 1/2"	29"	62"

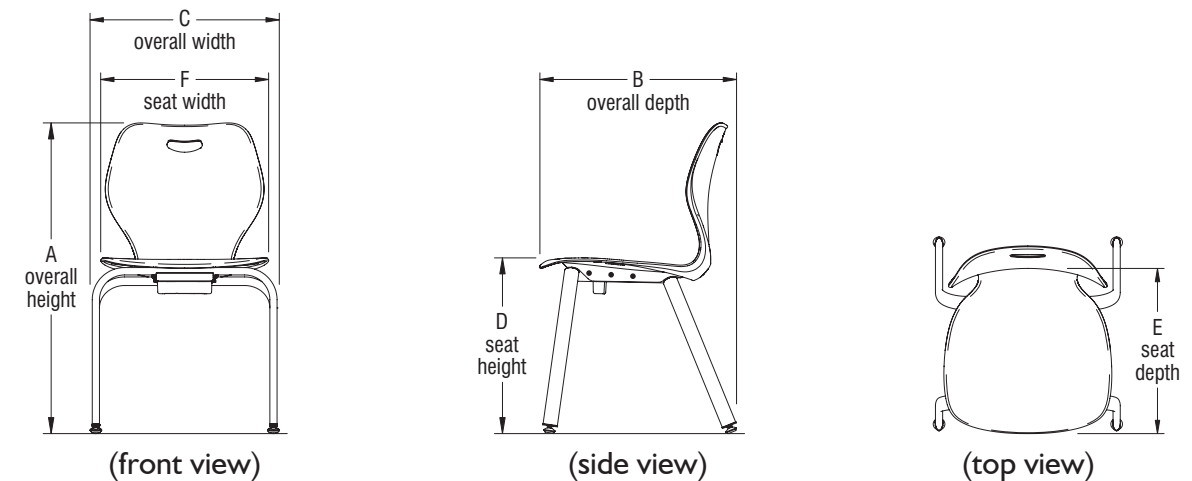
	Stacking on Floor Overall Dimensions			
	Qty	Width	Depth	Height
Extra Small 4-Leg	8	15"	26"	38 1/2"
Small 4-Leg	4	15"	23 1/2"	31 1/2"
Medium 4-Leg	6	17 1/2"	30"	38"
Medium 4-Leg Caster	6	17 1/2"	30"	38"
Large 4-Leg	8	21"	36"	50"
Large 4-Leg Caster	4	21"	33"	40"
Medium Music	5	21"	33"	43"
Large Music	5	21"	33"	43"
Small Cantilever	4	16"	24 1/2"	33 1/2"
Medium Cantilever	3	17 1/2"	25 1/2"	33"
Large Cantilever	5	21"	37"	44"


DIMENSIONS
Intellect Wave - Cantilever Chair - (model IWC18 shown)

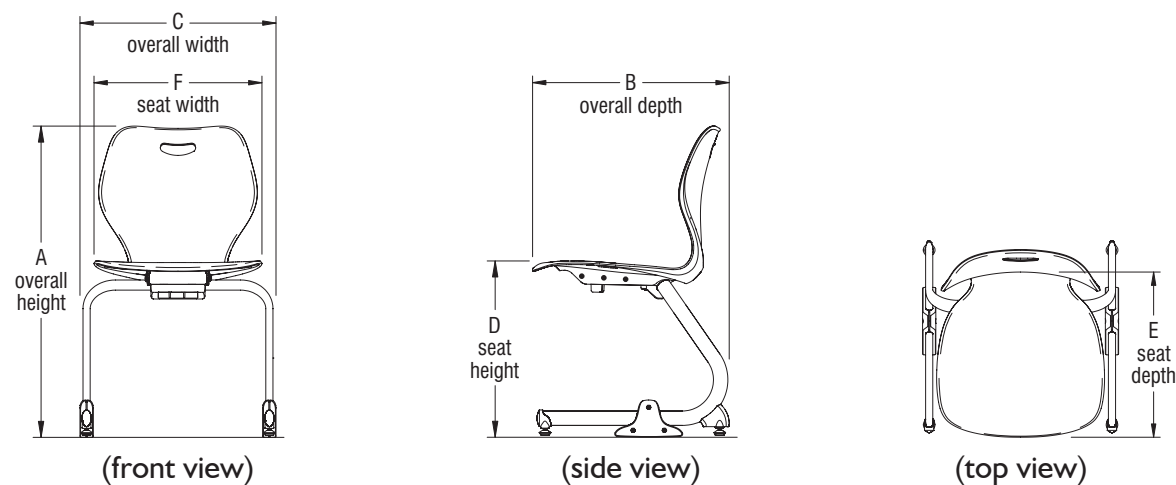
Model Number	A Overall Height	B Overall Depth	C Overall Width	D Seat Height	E Seat Depth	F Seat Width
IWC13	23 ⁷ / ₈ "	14 ¹ / ₄ "	15 ³ / ₈ "	13 ³ / ₄ "	12 ³ / ₈ "	12 ¹ / ₂ "
IWC15	25 ⁵ / ₈ "	17"	17 ¹ / ₈ "	15"	14 ¹ / ₈ "	14 ³ / ₈ "
IWC18	32 ¹ / ₄ "	20 ¹ / ₂ "	20 ³ / ₈ "	18 ¹ / ₈ "	17 ¹ / ₄ "	17 ¹ / ₂ "


DIMENSIONS
Intellect Wave - 4-Leg Chair - (model IW418 shown)

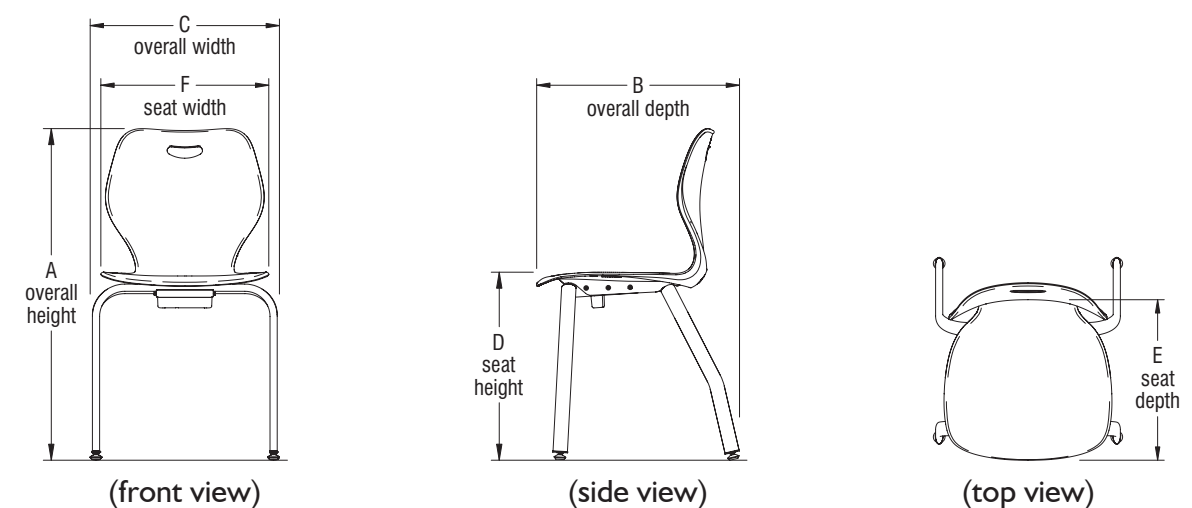
Model Number	A Overall Height	B Overall Depth	C Overall Width	D Seat Height	E Seat Depth	F Seat Width
IW410	20"	14"	14 ⁷ / ₈ "	9 ³ / ₄ "	12 ³ / ₈ "	12 ¹ / ₂ "
IW413	23 ¹ / ₈ "	15"	14 ⁷ / ₈ "	13"	12 ³ / ₈ "	12 ¹ / ₂ "
IW415	26 ³ / ₄ "	17"	16 ³ / ₄ "	15"	14 ¹ / ₈ "	14 ³ / ₈ "
IW418	32 ¹ / ₄ "	20 ¹ / ₂ "	19 ³ / ₄ "	18 ¹ / ₈ "	17 ¹ / ₄ "	17 ¹ / ₂ "


Intellect Wave - Cantilever Chair - Rocker Kit - (model IWC18 shown)

Model Number	A Overall Height	B Overall Depth	C Overall Width	D Seat Height	E Seat Depth	F Seat Width
IWCR13	24"	14 ¹ / ₄ "	15 ³ / ₈ "	14"	12 ³ / ₈ "	12 ¹ / ₂ "
IWCR15	25 ³ / ₄ "	17"	17 ¹ / ₈ "	15 ¹ / ₄ "	14 ¹ / ₈ "	14 ³ / ₈ "
IWCR18	32 ¹ / ₄ "	20 ¹ / ₂ "	20 ³ / ₈ "	18 ³ / ₈ "	17 ¹ / ₄ "	17 ¹ / ₂ "

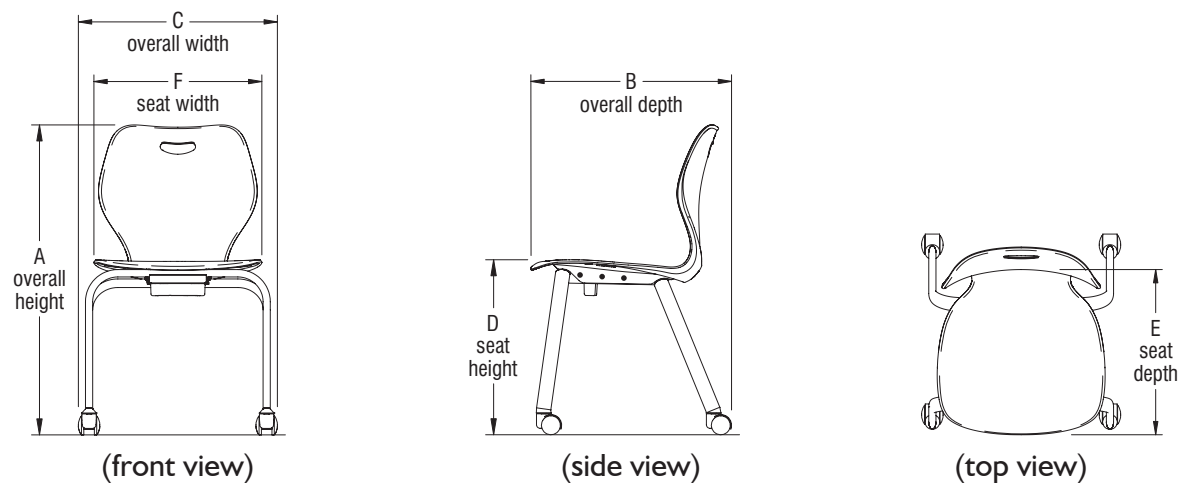

Intellect Wave - Music Chair - (model IWMC19 shown)

Model Number	A Overall Height	B Overall Depth	C Overall Width	D Seat Height	E Seat Depth	F Seat Width
IWMC16	29 ³ / ₈ "	17 ¹ / ₂ "	16 ³ / ₄ "	16 ¹ / ₂ "	14 ¹ / ₈ "	14 ³ / ₈ "
IWMC19	32 ¹ / ₄ "	21 ¹ / ₈ "	19 ³ / ₄ "	19 ¹ / ₈ "	17 ¹ / ₄ "	17 ¹ / ₂ "

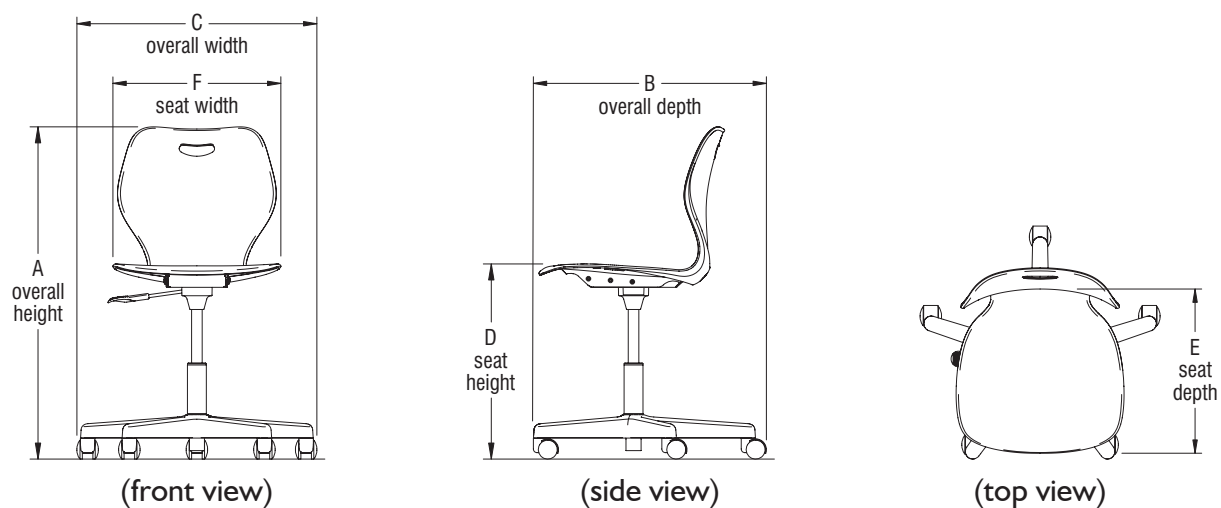



DIMENSIONS
Intellect Wave - 4-Leg Chair with Casters - (model IW418C shown)

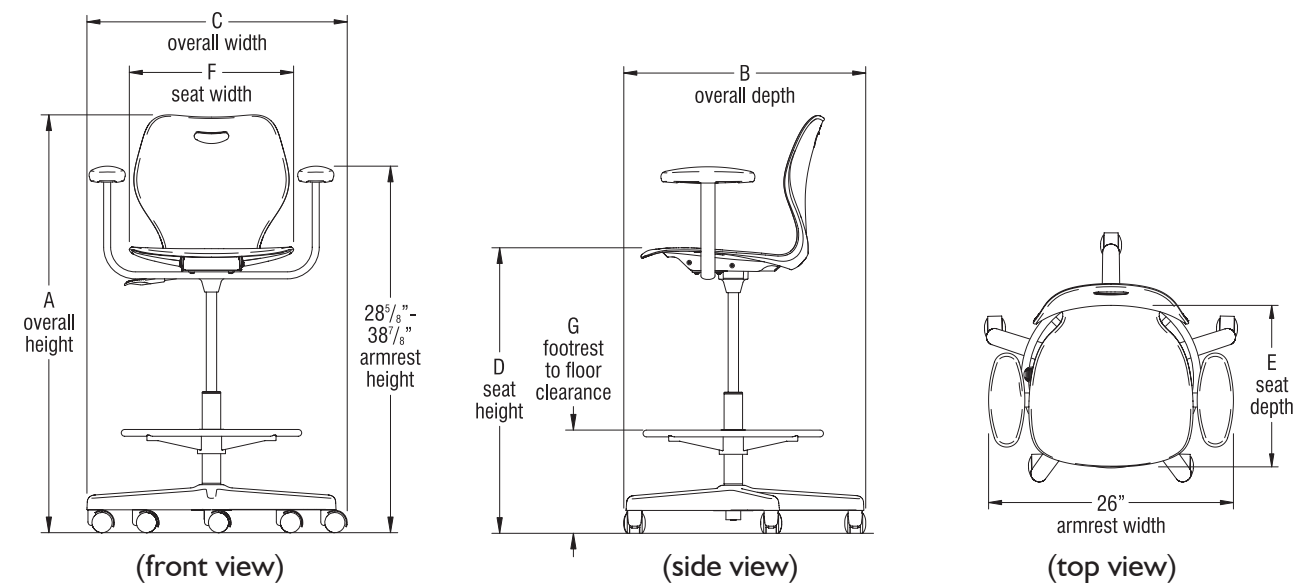
Model Number	A Overall Height	B Overall Depth	C Overall Width	D Seat Height	E Seat Depth	F Seat Width
IW415C	26 ⁵ / ₈ "	17 ³ / ₈ "	17 ³ / ₄ "	15"	14 ¹ / ₈ "	14 ³ / ₈ "
IW418C	32 ¹ / ₄ "	20 ³ / ₈ "	20 ³ / ₄ "	18 ¹ / ₄ "	17 ¹ / ₄ "	17 ¹ / ₂ "


Intellect Wave - Task Chair - (model IWPD18 shown)

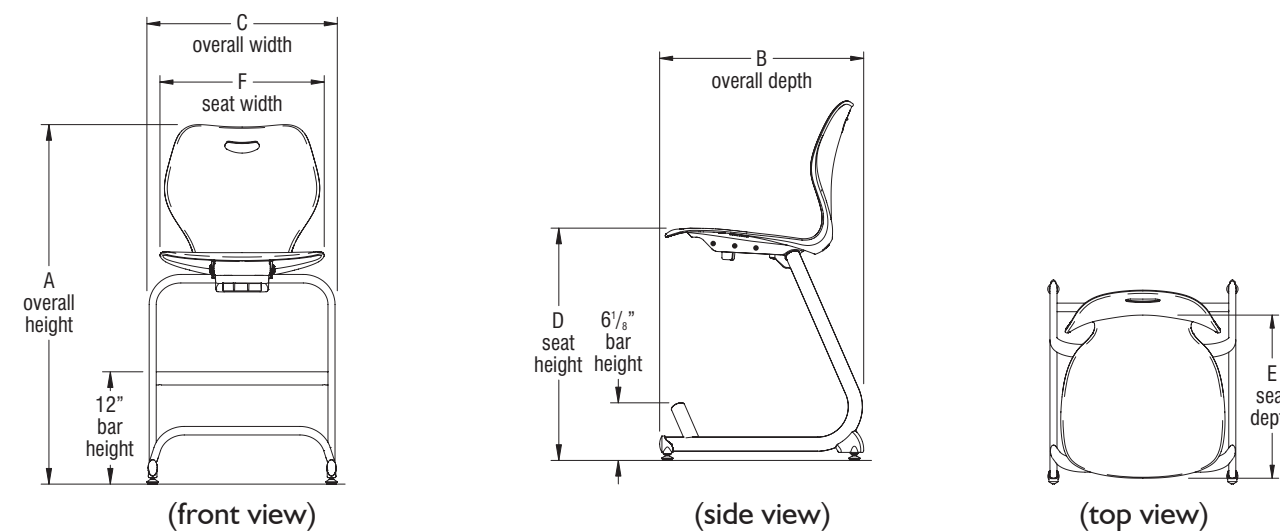
Model Number	A Overall Height	B Overall Depth	C Overall Width	D Seat Height	E Seat Depth	F Seat Width
IWPD15	25 ¹ / ₂ " - 28 ³ / ₈ "	23 ⁷ / ₈ "	24 ¹ / ₄ "	14" - 16 ⁷ / ₈ "	14 ¹ / ₈ "	14 ³ / ₈ "
IWPD18	30 ³ / ₈ " - 35 ³ / ₈ "	24 ³ / ₈ "	25"	15 ³ / ₄ " - 20 ³ / ₄ "	17 ¹ / ₄ "	17 ¹ / ₂ "


DIMENSIONS
Intellect Wave - Task Stool - (model IWSA shown)

Model Number	A Overall Height	B Overall Depth	C Overall Width	D Seat Height	E Seat Depth	F Seat Width	G Footrest-to-Floor Clearance
IWS	34 ¹ / ₄ " - 44 ¹ / ₂ "	22 ¹ / ₄ "	23 ¹ / ₂ "	20 ¹ / ₂ " - 30 ³ / ₄ "	17 ¹ / ₄ "	17 ¹ / ₂ "	17 ¹ / ₂ "
IWSA	34 ¹ / ₄ " - 44 ¹ / ₂ "	25 ⁷ / ₈ "	27 ⁷ / ₈ "	20 ¹ / ₂ " - 30 ³ / ₄ "	17 ¹ / ₄ "	17 ¹ / ₂ "	17 ¹ / ₂ "

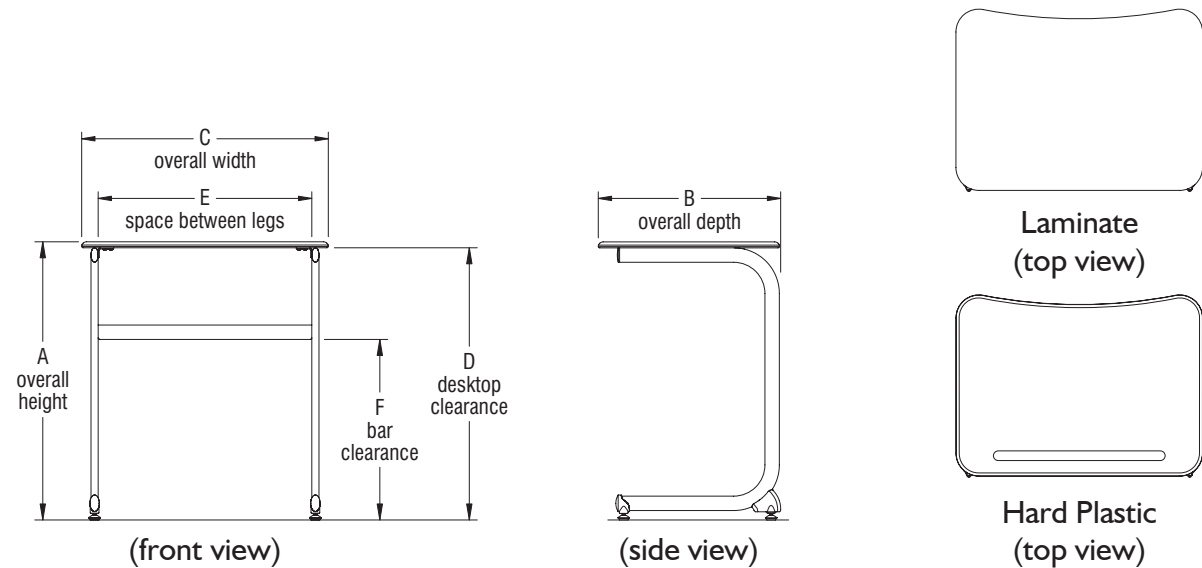

Intellect Wave - Café Stool - (model IWCS24 shown)

Model Number	A Overall Height	B Overall Depth	C Overall Width	D Seat Height	E Seat Depth	F Seat Width
IWCS24	38 ¹ / ₄ "	21 ³ / ₄ "	20 ³ / ₈ "	24 ⁵ / ₈ "	17 ¹ / ₄ "	17 ¹ / ₂ "
IWCS30	44 ¹ / ₄ "	22"	22"	30 ⁵ / ₈ "	17 ¹ / ₄ "	17 ¹ / ₂ "

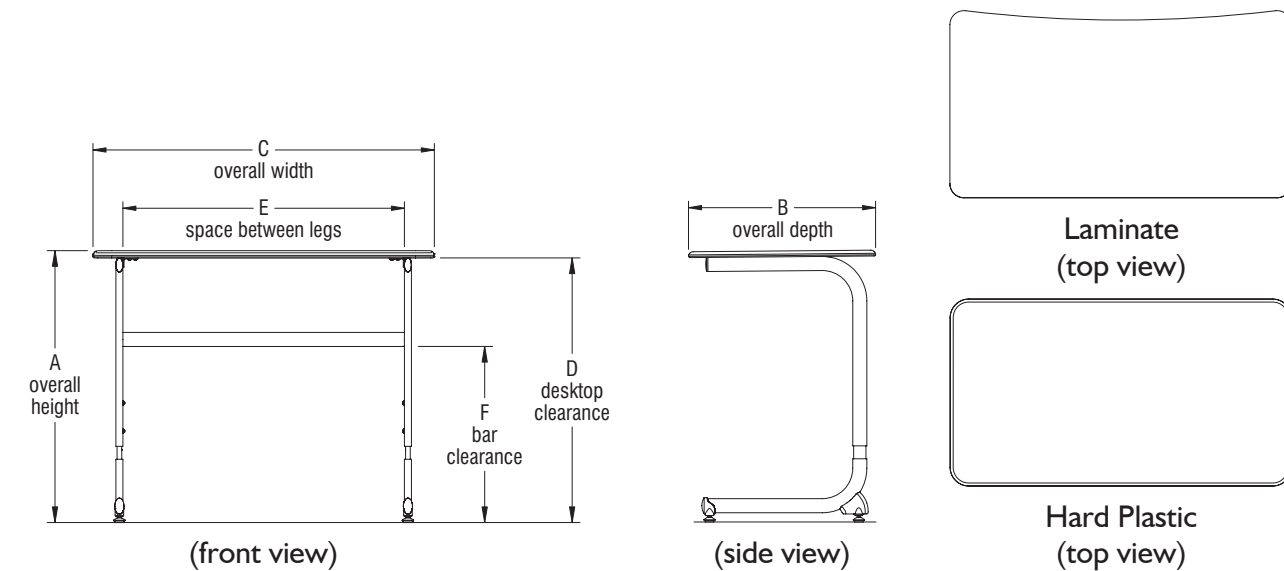



DIMENSIONS
Intellect Wave - Fixed-Height Cantilever Desk - (model IWDCH29 shown)

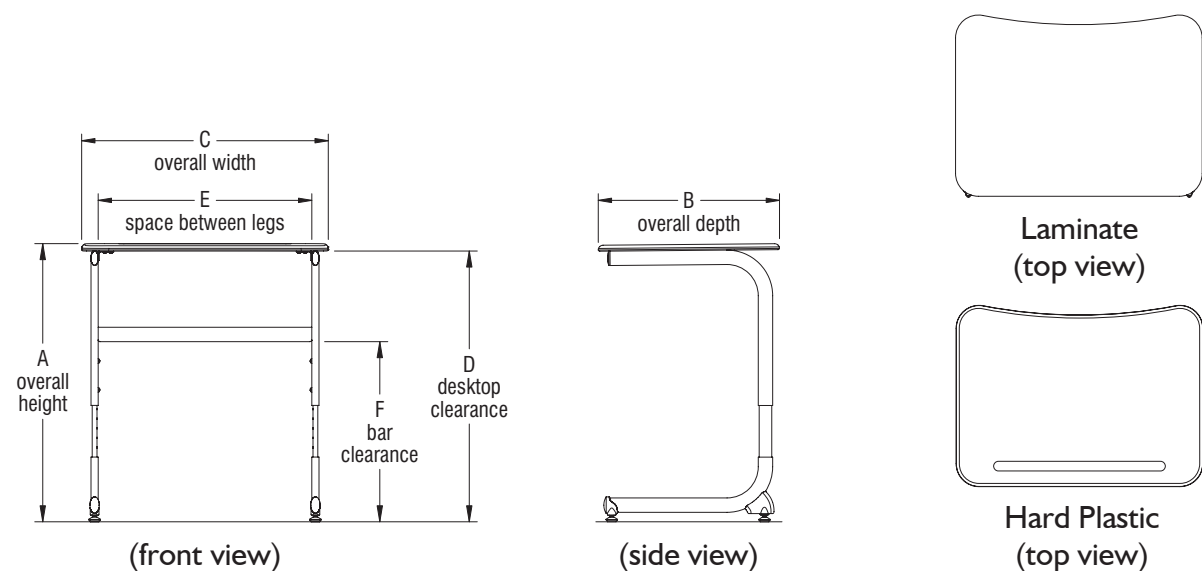
Model Number	A Overall Height	B Overall Depth	C Overall Width	D Desktop Clearance	E Space Between Legs	F Bar Clearance
IWDCH29	29"	18 ⁷ / ₈ "	25 ³ / ₄ "	28 ³ / ₈ "	22 ¹ / ₄ "	18 ⁷ / ₈ "
IWDCL29	29 ⁷ / ₈ "	18 ⁷ / ₈ "	25 ³ / ₄ "	28 ³ / ₈ "	22 ¹ / ₄ "	18 ⁷ / ₈ "


DIMENSIONS
Intellect Wave - ADA Adjustable-Height Cantilever Desk - (model IWDCHADA shown)

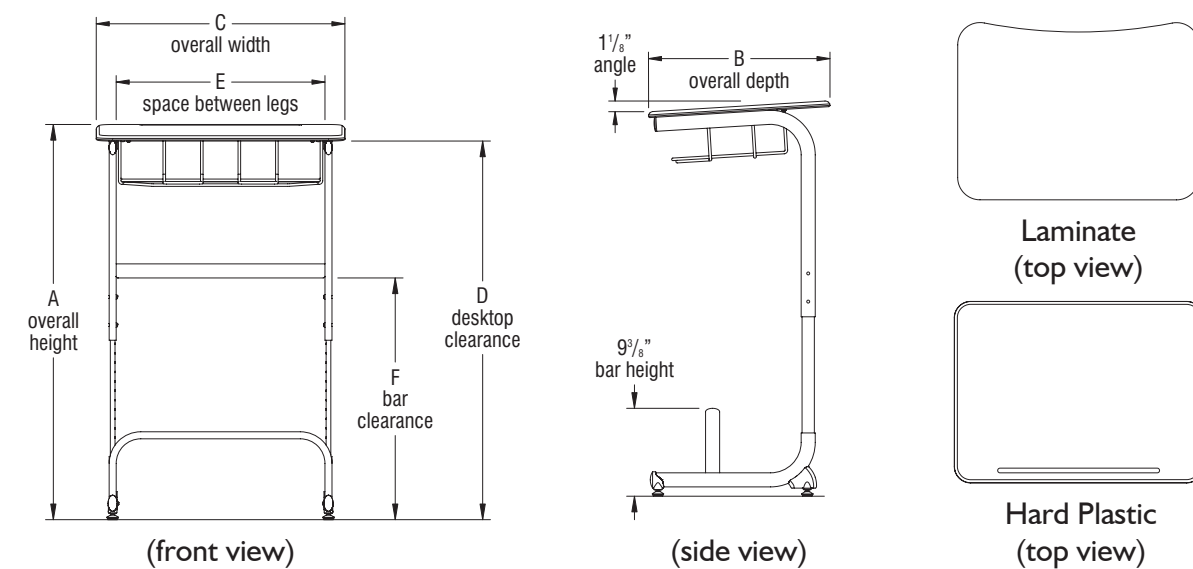
Model Number	A Overall Height	B Overall Depth	C Overall Width	D Desktop Clearance	E Space Between Legs	F Bar Clearance
IWDCHADA	28" - 34"	20"	36 ³ / ₈ "	27 ³ / ₈ " - 33 ³ / ₈ "	30"	18" - 24"
IWDCLADA	28 ¹ / ₄ " - 34 ¹ / ₄ "	20"	36 ³ / ₈ "	27 ¹ / ₂ " - 33 ¹ / ₂ "	30"	18" - 24"


Intellect Wave - Adjustable-Height Cantilever Desk - (model IWDCHA shown)

Model Number	A Overall Height	B Overall Depth	C Overall Width	D Desktop Clearance	E Space Between Legs	F Bar Clearance
IWDCHA	24" - 30"	18 ⁷ / ₈ "	25 ³ / ₄ "	23 ³ / ₈ " - 29 ³ / ₈ "	22 ¹ / ₄ "	14" - 20"
IWDCLA	24 ¹ / ₂ " - 30 ¹ / ₂ "	18 ⁷ / ₈ "	25 ³ / ₄ "	23 ³ / ₈ " - 29 ³ / ₈ "	22 ¹ / ₄ "	14" - 20"


Intellect Wave - Sit/Stand-Height Cantilever Desk - (model IWDSH shown)

Model Number	A Overall Height	B Overall Depth	C Overall Width	D Desktop Clearance	E Space Between Legs	F Bar Clearance
IWDSH	30" - 42"	18 ⁷ / ₈ "	25 ³ / ₄ "	28 ¹ / ₄ " - 40 ¹ / ₄ "	22 ¹ / ₄ "	14" - 26"
IWDSL	30 ¹ / ₂ " - 42 ¹ / ₂ "	18 ⁷ / ₈ "	25 ³ / ₄ "	28 ⁵ / ₈ " - 40 ⁵ / ₈ "	22 ¹ / ₄ "	14" - 26"

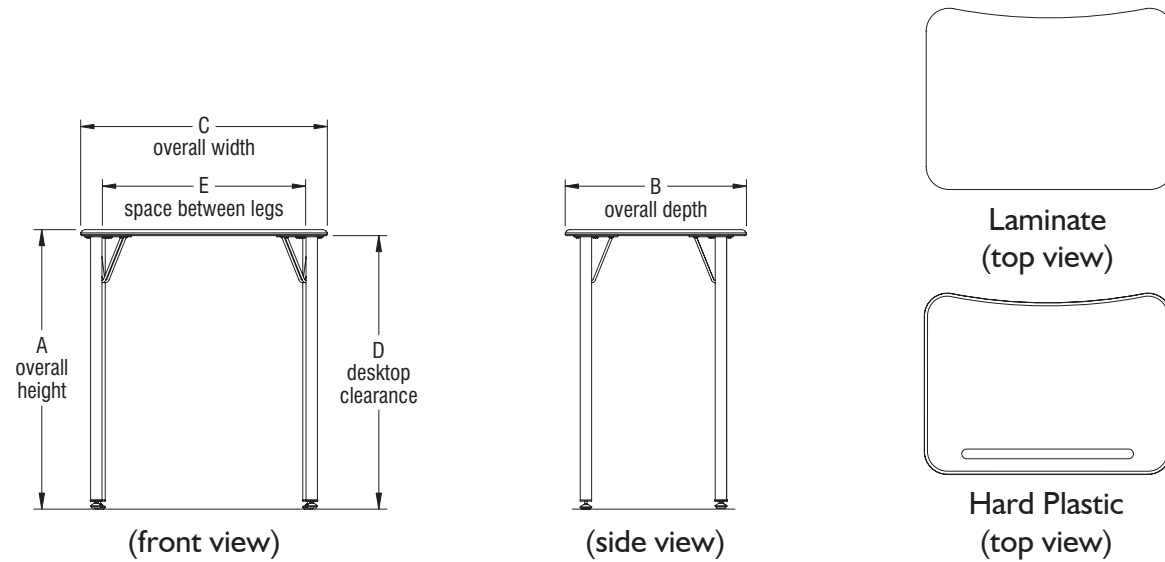




DIMENSIONS

Intellect Wave - Fixed-Height 4-Leg Desk - (model IWD4FH29 shown)

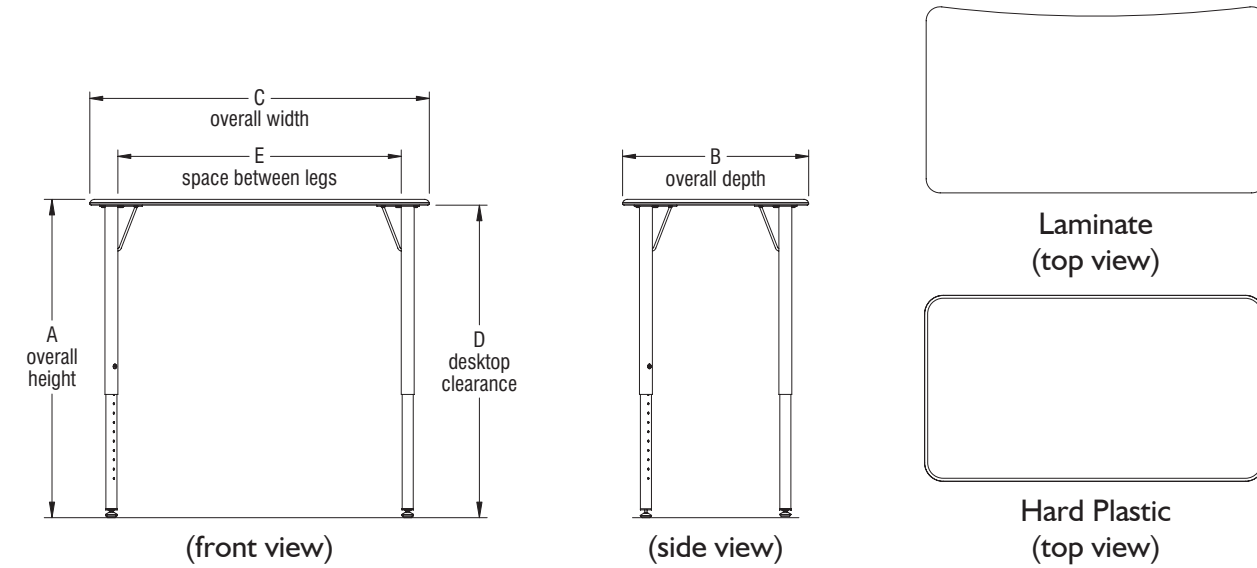
Model Number	A Overall Height	B Overall Depth	C Overall Width	D Desktop Clearance	E Space Between Legs
IWD4FH29	29"	18 ⁷ / ₈ "	25 ³ / ₄ "	28 ³ / ₈ "	20 ⁵ / ₈ "
IWD4FL29	29"	19 ³ / ₈ "	26 ¹ / ₂ "	28 ³ / ₈ "	20 ⁵ / ₈ "



DIMENSIONS

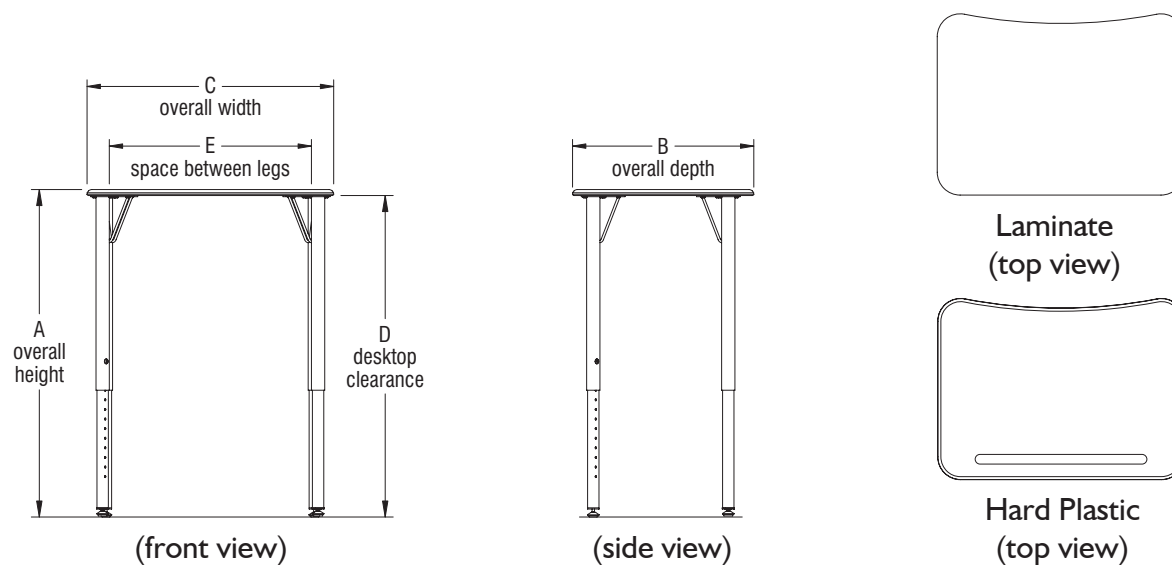
Intellect Wave - ADA Adjustable-Height 4-Leg Desk - (model IWD4FHADA shown)

Model Number	A Overall Height	B Overall Depth	C Overall Width	D Desktop Clearance	E Space Between Legs
IWD4FHADA	22" - 34"	20"	36 ³ / ₈ "	21 ³ / ₈ " - 33 ³ / ₈ "	30 ³ / ₈ "
IWD4FLADA	22 ¹ / ₄ " - 34 ¹ / ₄ "	20"	36 ³ / ₈ "	21 ³ / ₈ " - 33 ³ / ₈ "	30 ³ / ₈ "



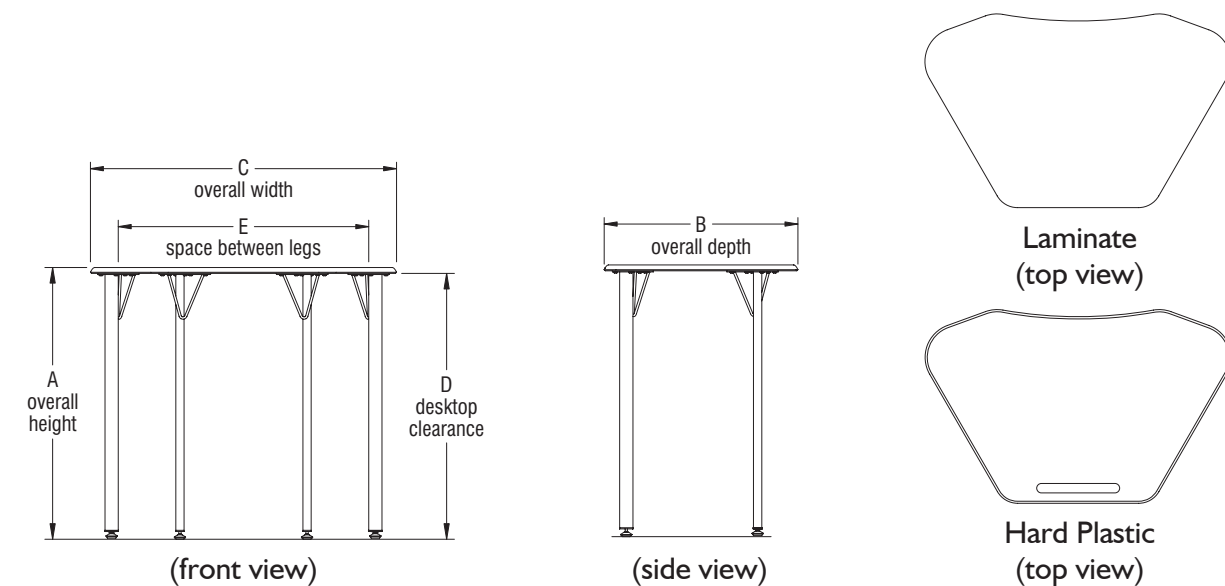
Intellect Wave - Adjustable-Height 4-Leg Desk - (model IWD4FHA shown)

Model Number	A Overall Height	B Overall Depth	C Overall Width	D Desktop Clearance	E Space Between Legs
IWD4FHA	22" - 34"	18 ⁷ / ₈ "	25 ³ / ₄ "	21 ³ / ₈ " - 33 ³ / ₈ "	20 ⁵ / ₈ "
IWD4FLA	22" - 34"	19 ³ / ₈ "	26 ¹ / ₂ "	21 ³ / ₈ " - 33 ³ / ₈ "	20 ⁵ / ₈ "



Intellect Wave - Fixed-Height Trapezoid Desk - (model IWDTFH29 shown)

Model Number	A Overall Height	B Overall Depth	C Overall Width	D Desktop Clearance	E Space Between Legs
IWDTFH29	29"	20 ³ / ₄ "	32 ⁷ / ₈ "	28 ³ / ₈ "	26 ⁷ / ₈ "
IWDTFL29	29 ¹ / ₄ "	20 ³ / ₄ "	32 ⁷ / ₈ "	28 ³ / ₈ "	26 ⁷ / ₈ "

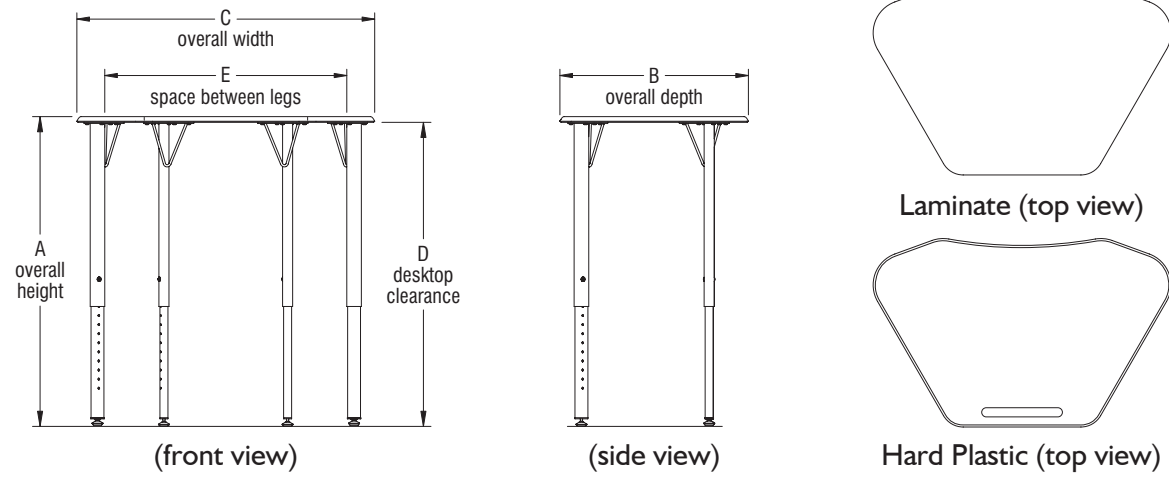




DIMENSIONS

Intellect Wave - Adjustable-Height Trapezoid Desk - (model IWDTFHA shown)

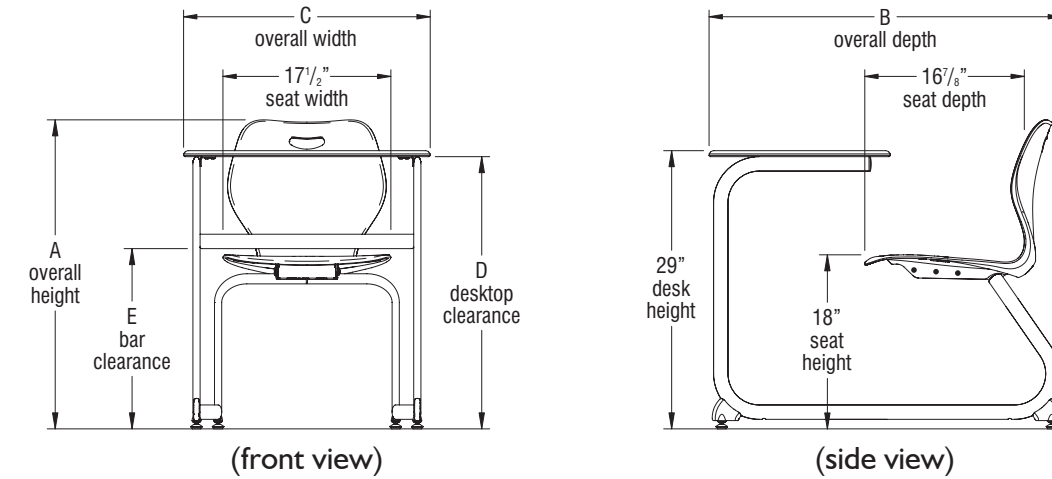
Model Number	A Overall Height	B Overall Depth	C Overall Width	D Desktop Clearance	E Space Between Legs
IWDTFHA	22" - 34"	20 ³ / ₄ "	32 ⁷ / ₈ "	2 ¹ / ₈ " - 33 ³ / ₈ "	26 ⁵ / ₈ "
IWDTFLA	22 ¹ / ₄ " - 34 ¹ / ₄ "	20 ³ / ₄ "	32 ⁷ / ₈ "	2 ¹ / ₈ " - 33 ³ / ₈ "	26 ⁵ / ₈ "



DIMENSIONS

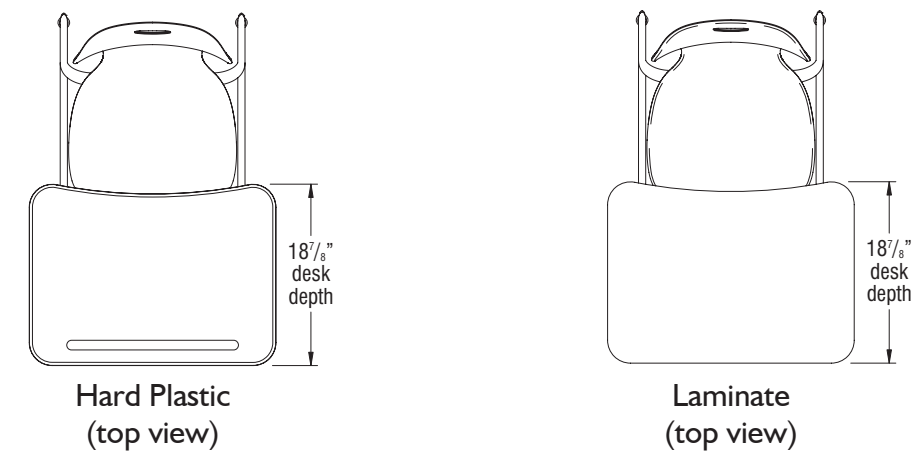
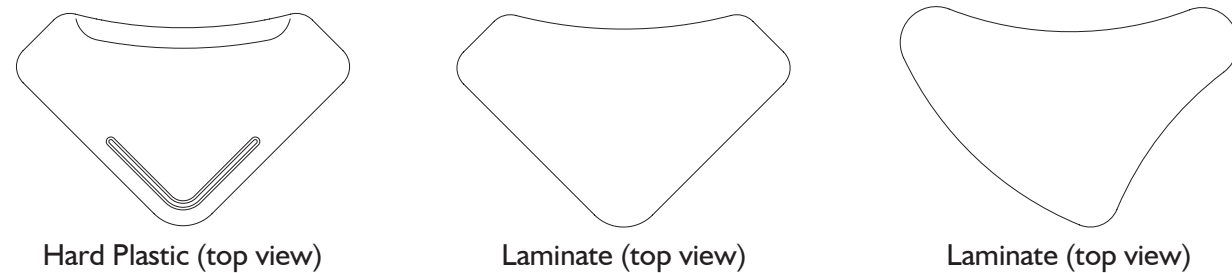
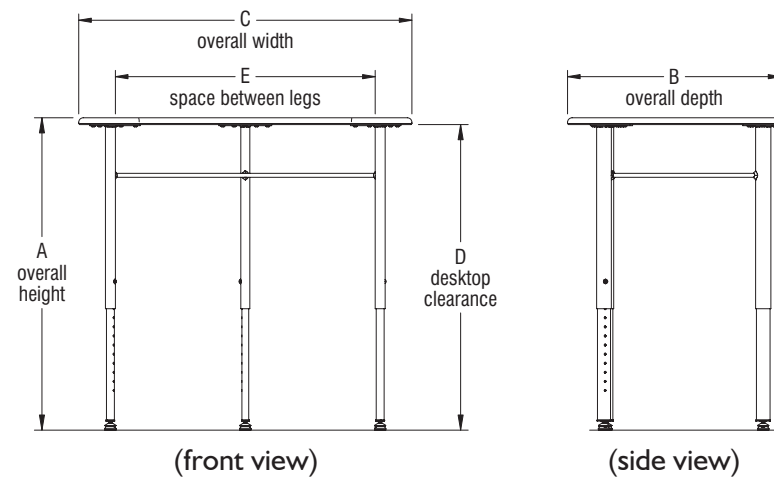
Intellect Wave - Double Entry Desk - (model IWDEH shown)

Model Number	A Overall Height	B Overall Depth	C Overall Width	D Desktop Clearance	E Bar Clearance
IWDEH	29"	36 ³ / ₄ "	25 ³ / ₄ "	28 ³ / ₈ "	18 ³ / ₄ "
IWDEL	29 ¹ / ₂ "	36 ³ / ₄ "	26 ³ / ₈ "	28 ³ / ₈ "	18 ³ / ₄ "



Intellect Wave - Adjustable-Height Tripod Desk - (model IWD3LCA shown)

Model Number	A Overall Height	B Overall Depth	C Overall Width	D Desktop Clearance	E Space Between Legs
IWD3LCA	23" - 34"	23 ¹ / ₂ "	36 ³ / ₄ "	2 ¹ / ₈ " - 33 ³ / ₈ "	28 ⁹ / ₁₆ "
IWD3LLA	23" - 34"	24 ¹ / ₄ "	37 ¹ / ₄ "	2 ¹ / ₈ " - 33 ³ / ₈ "	28 ⁹ / ₁₆ "
IWD3HLA	23" - 34"	23 ¹ / ₂ "	36 ³ / ₄ "	2 ¹ / ₈ " - 33 ³ / ₈ "	28 ⁹ / ₁₆ "

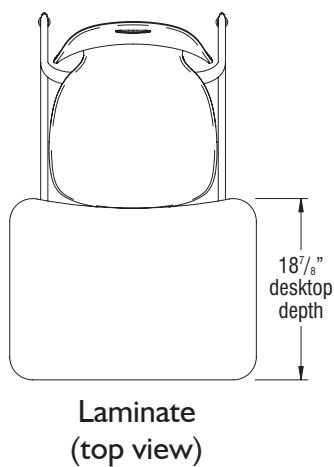
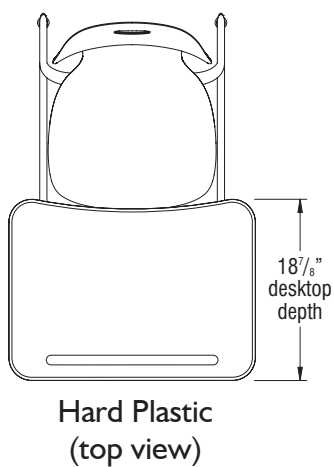
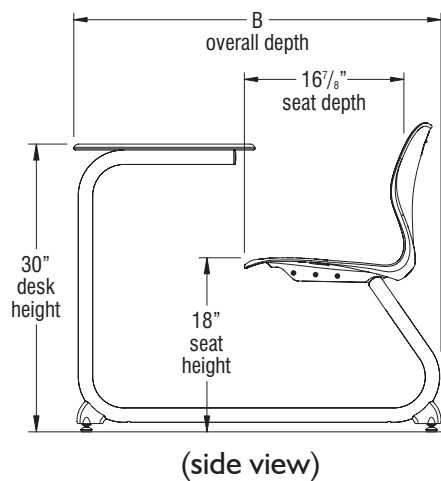
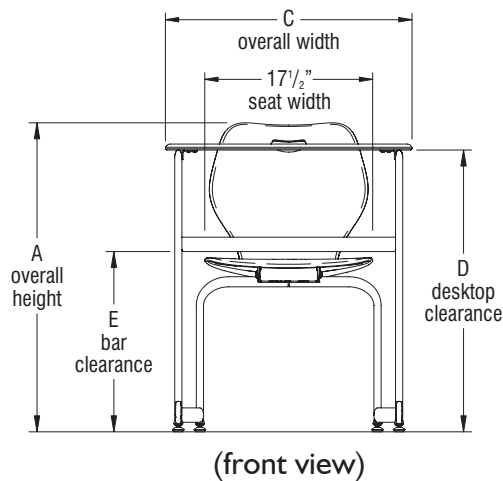




DIMENSIONS

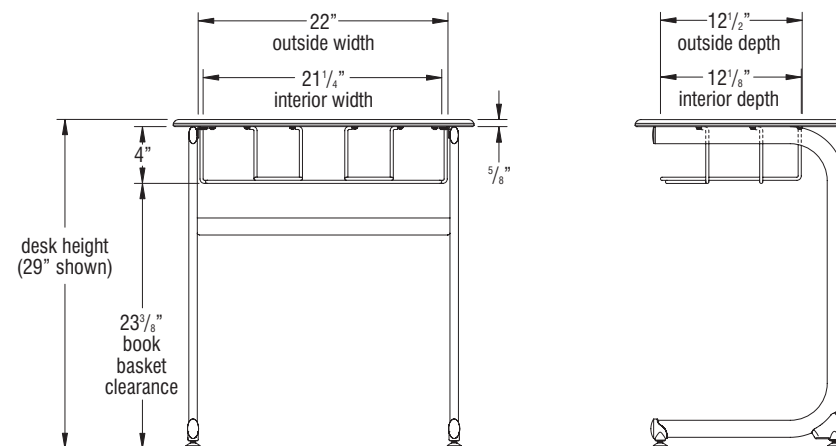
Intellect Wave - XL Double Entry Desk - (model IWXDH shown)

Model Number	A Overall Height	B Overall Depth	C Overall Width	D Desktop Clearance	E Bar Clearance
IWXDH	30"	38 ³ / ₈ "	25 ³ / ₄ "	29 ³ / ₈ "	18 ³ / ₄ "
IWXDL	30 ¹ / ₂ "	38 ³ / ₈ "	26 ⁷ / ₈ "	29 ³ / ₈ "	18 ³ / ₄ "



DIMENSIONS - Desk Storage Dimensions

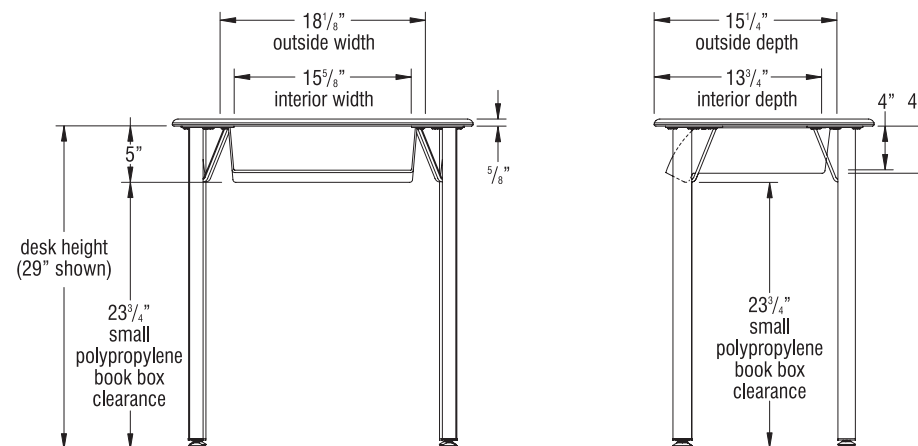
Book Basket



Book Basket	
Model Number	46.9351
Outside Width	22"
Outside Depth	12 ¹ / ₂ "
Outside Height	4"
Interior Width	21 ¹ / ₄ "
Interior Depth	12 ¹ / ₈ "
Interior Height	3 ¹ / ₂ "

Note: Desks are shown with a height of 29". Adjustable-height desks adjust in 1" increments. If height is adjusted, add or subtract an inch per notch past the original set height of 29".

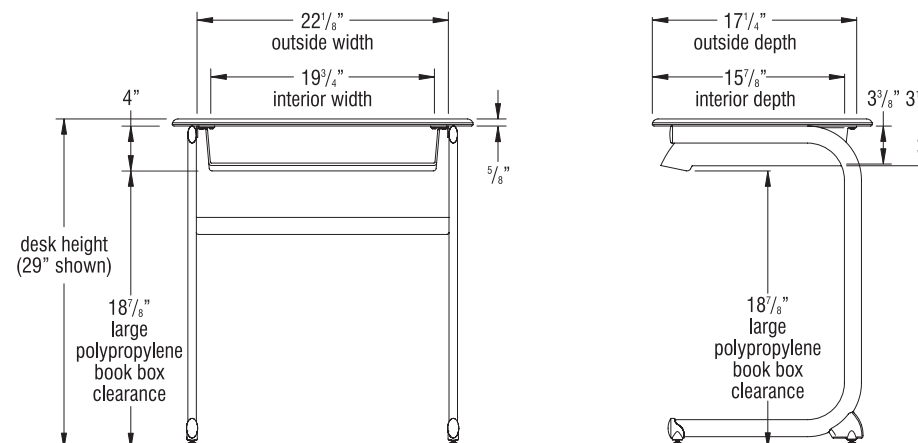
Small Polypropylene Book Box



Small Polypropylene Book Box	
Model Number	46.6232
Outside Width	18 ¹ / ₈ "
Outside Depth	15 ¹ / ₄ "
Outside Height	5"
Interior Width	15 ⁵ / ₈ "
Interior Depth	13 ³ / ₄ "
Interior Height	4"

Note: Desks are shown with a height of 29". Adjustable-height desks adjust in 1" increments. If height is adjusted, add or subtract an inch per notch past the original set height of 29".

Large Polypropylene Book Box



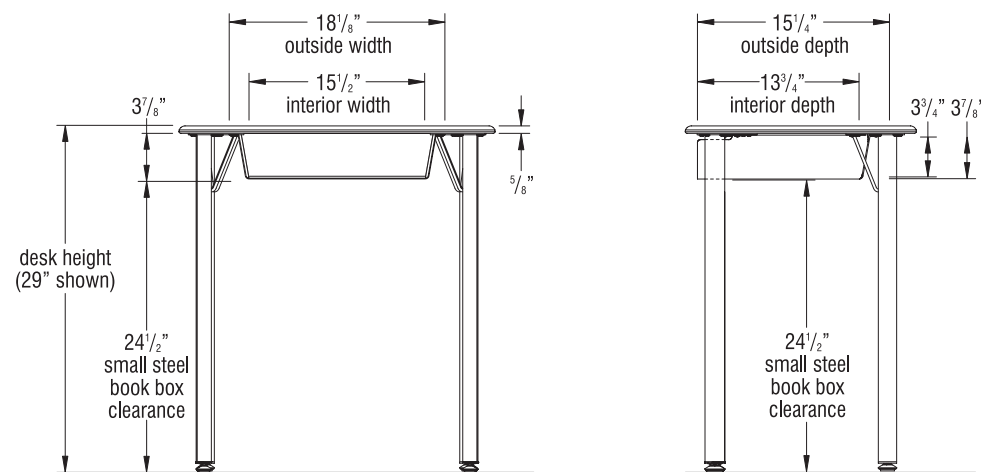
Large Polypropylene Book Box	
Model Number	46.9359
Outside Width	22 ¹ / ₈ "
Outside Depth	17 ¹ / ₄ "
Outside Height	4"
Interior Width	19 ³ / ₄ "
Interior Depth	15 ⁵ / ₈ "
Interior Height	3 ³ / ₈ "

Note: Desks are shown with a height of 29". Adjustable-height desks adjust in 1" increments. If height is adjusted, add or subtract an inch per notch past the original set height of 29".



DIMENSIONS - Desk Storage Dimensions

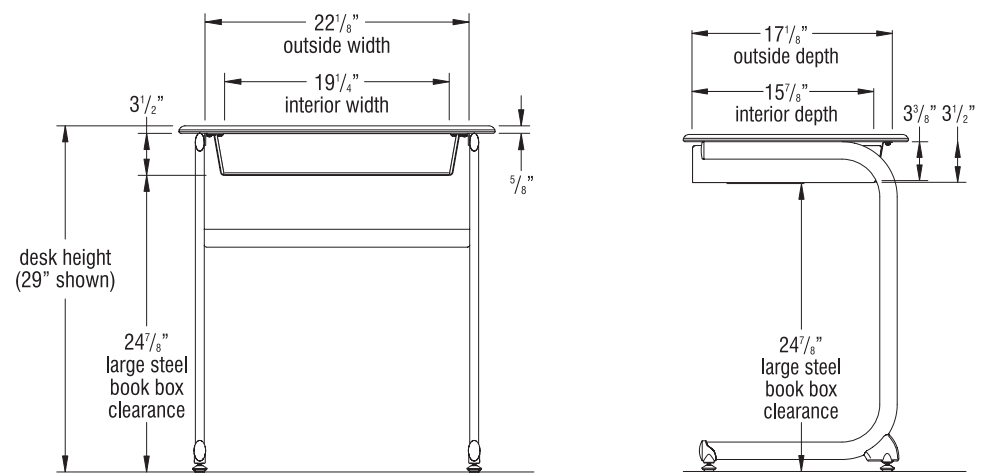
Small Steel Book Box



	Small Steel Book Box
Model Number	46.8292
Outside Width	18 1/8"
Outside Depth	15 1/4"
Outside Height	3 7/8"
Interior Width	15 1/2"
Interior Depth	13 3/4"
Interior Height	3 3/4"

Note: Desks are shown with a height of 29". Adjustable-height desks adjust in 1" increments. If height is adjusted, add or subtract an inch per notch past the original set height of 29".

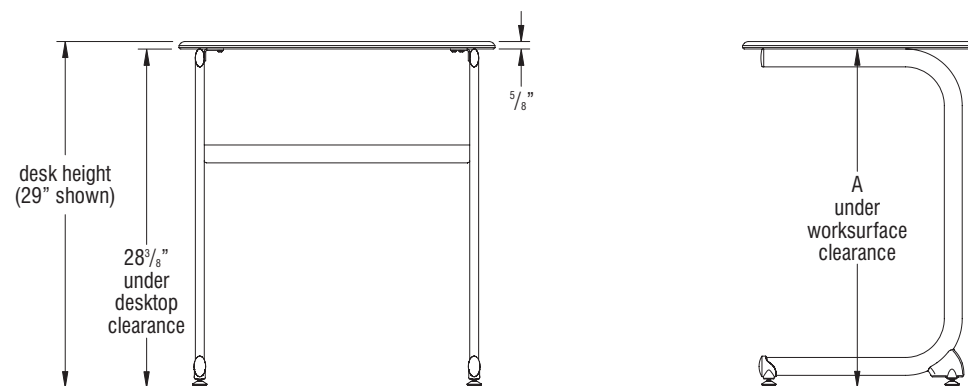
Large Steel Book Box



	Large Steel Book Box
Model Number	46.8291
Outside Width	22 1/8"
Outside Depth	17 1/8"
Outside Height	3 1/2"
Interior Width	19 1/4"
Interior Depth	15 7/8"
Interior Height	3 3/8"

Note: Desks are shown with a height of 29". Adjustable-height desks adjust in 1" increments. If height is adjusted, add or subtract an inch per notch past the original set height of 29".

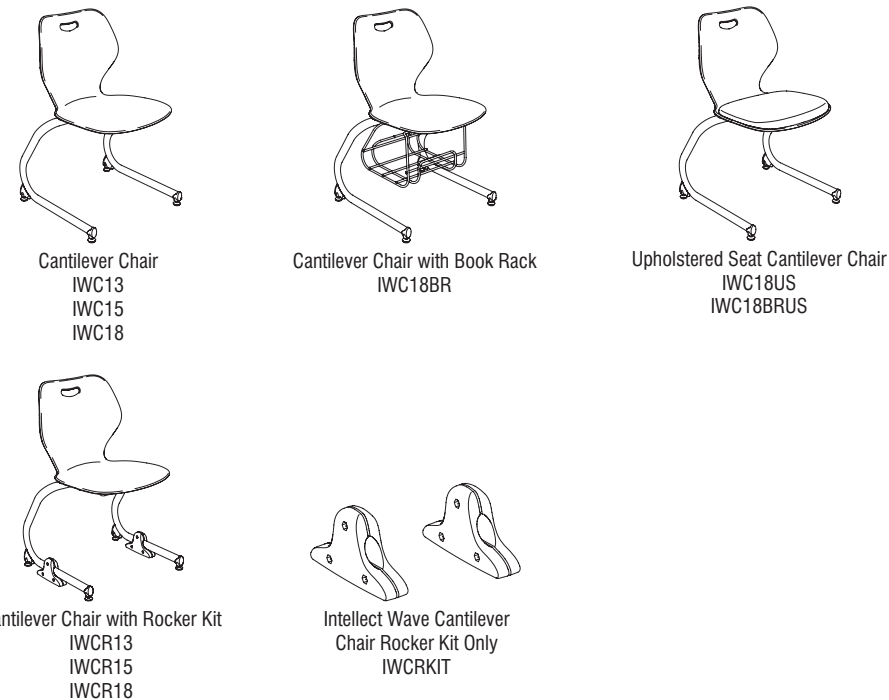
Intellect Wave (with no storage)



Note: Desks are shown with a height of 29". Adjustable-height desks adjust in 1" increments. If height

STATEMENT OF LINE

Intellect Wave - Cantilever Chairs (18" seat height shown)



Cantilever Chair
IWC13
IWC15
IWC18

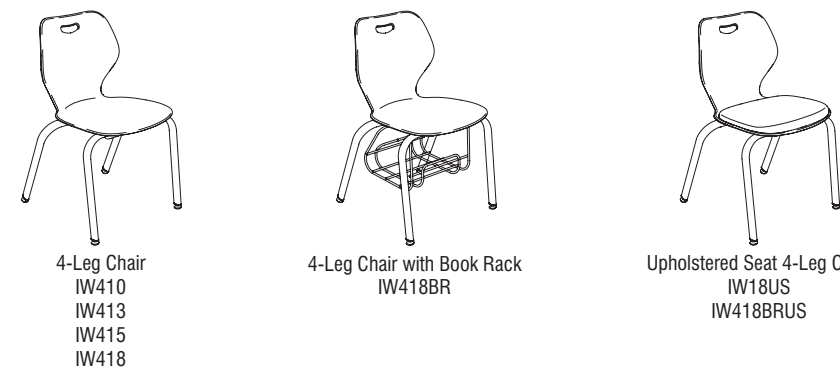
Cantilever Chair with Book Rack
IWC18BR

Upholstered Seat Cantilever Chair
IWC18US
IWC18BRUS

Cantilever Chair with Rocker Kit
IWCR13
IWCR15
IWCR18

Intellect Wave Cantilever Chair Rocker Kit Only
IWCRKIT

Intellect Wave - 4-Leg Chairs (18" seat height shown)

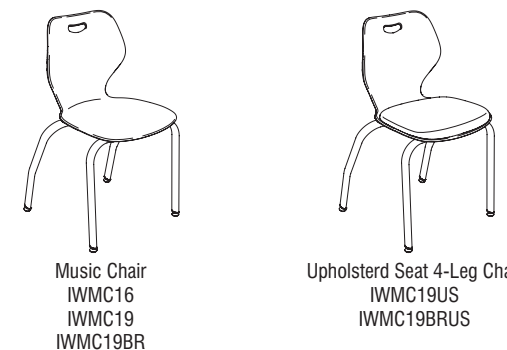


4-Leg Chair
IW410
IW413
IW415
IW418

4-Leg Chair with Book Rack
IW418BR

Upholstered Seat 4-Leg Chair
IW18US
IW418BRUS

Intellect Wave - Music Chairs (19" seat height shown)



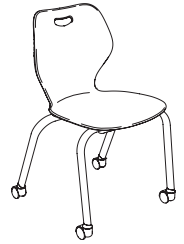
Music Chair
IWMC16
IWMC19
IWMC19BR

Upholstered Seat 4-Leg Chair
IWMC19US
IWMC19BRUS

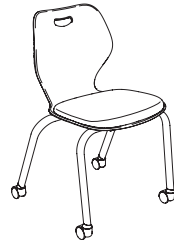


STATEMENT OF LINE

Intellect Wave - 4-Leg Chairs with Casters (18" seat height shown)



4-Leg Chair with Casters
 IW415C
 IW418C
 IW418CBR



Upholsterd Seat
 4-Leg Chair with Casters
 IW418CUS
 IW418CBRUS

Intellect Wave - Task Chairs (18" seat height shown)



Task Chair
 IWP15
 IWP18
 IWP18A



Upholsterd Seat Task Chair
 IWP18US
 IWP18AUS



Task Chair with Tilt
 IWP18T
 IWP18TUS



Task Chair
 IWP18A

Intellect Wave - Task Stools



Task Stool
 IWS
 IWSA



Upholsterd Seat Task Stool
 IWSUS
 IWSAUS



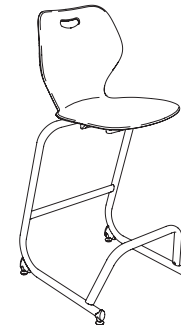
Task Stool
 IWSA

STATEMENT OF LINE

Intellect Wave - Café Stools

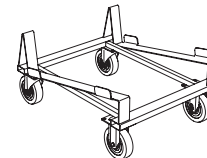


24" Café Stool
 IWCS24
 IWCS24US

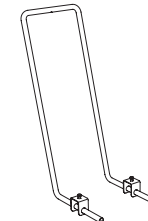


30" Café Stool
 IWCS30
 IWCS30US

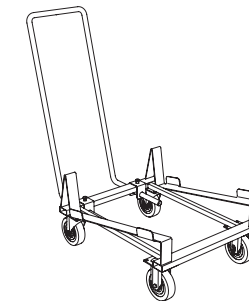
Intellect Wave - Accessories



Dolly
 IWD.BL



Universal Dolly Handle
 UDH.BL



Dolly with Universal Dolly Handle
 IWD.BL and UDH.BL

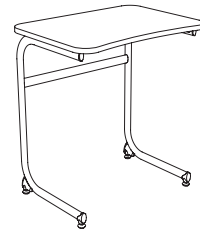


STATEMENT OF LINE

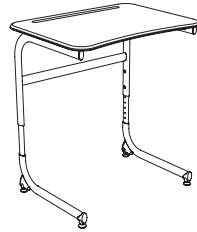
Intellect Wave - Cantilever Desk



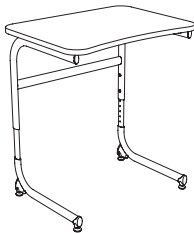
29" Height Hard Plastic Top Cantilever Desk
IWDCH29



29" Height Laminate Top Cantilever Desk
IWDCL29



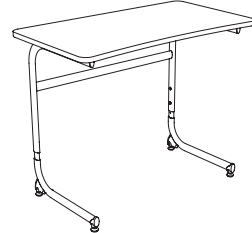
Adjustable-Height Hard Plastic Top Cantilever Desk
IWDCHA



Adjustable-Height Laminate Top Cantilever Desk
IWDCLA

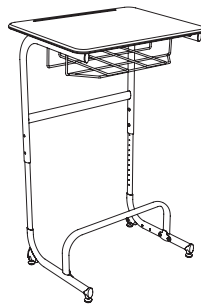


ADA Adjustable-Height Hard Plastic Top Cantilever Desk
IWDCHADA

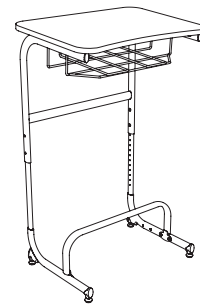


ADA Adjustable-Height Laminate Top Cantilever Desk
IWDCLADA

Intellect Wave - Sit/Stand Cantilever Desk

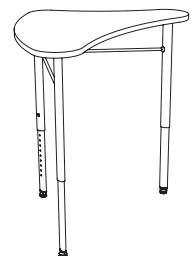


Sit/Stand Height Hard Plastic Top Cantilever Desk
IWDSH

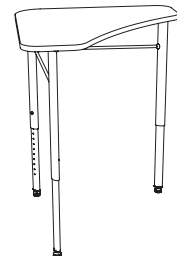


Sit/Stand Height Laminate Top Cantilever Desk
IWDSL

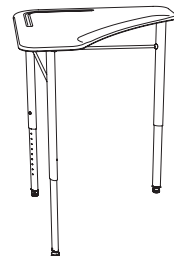
Intellect Wave - Adjustable Height Tripod Desk



Adjustable-Height Laminate Top Tripod Desk
IWD3LCA



Adjustable-Height Laminate Top Tripod Desk
IWD3LLA



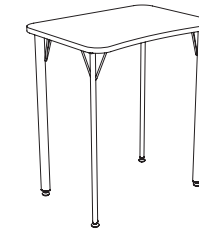
Adjustable-Height Hard Plastic Top Tripod Desk
IWD3HLA

STATEMENT OF LINE

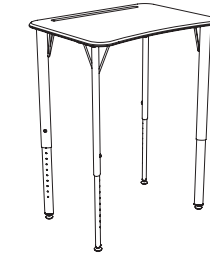
Intellect Wave - 4-Leg Desk



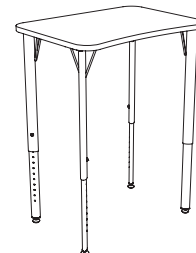
29" Height Hard Plastic Top 4-Leg Desk
IWD4FH29



29" Height Laminate Top 4-Leg Desk
IWD4FL29



Adjustable-Height Hard Plastic Top 4-Leg Desk
IWD4FHA



Adjustable-Height Laminate Top 4-Leg Desk
IWD4FLA



ADA Adjustable-Height Hard Plastic Top 4-Leg Desk
IWD4FHADA

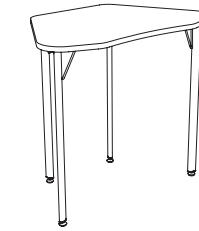


ADA Adjustable-Height Laminate Top 4-Leg Desk
IWD4FLADA

Intellect Wave - Trapezoid Desk



29" Height Hard Plastic Top Trapezoid Desk
IWDTFH29



29" Height Laminate Top Trapezoid Desk
IWDTFL29



Adjustable-Height Hard Plastic Top Trapezoid Desk
IWDTFHA



Adjustable-Height Laminate Top Trapezoid Desk
IWDTFLA

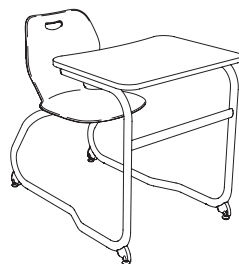


STATEMENT OF LINE

Intellect Wave - Double Entry Desk



Hard Plastic Top Double Entry Desk
IWDEH
IWDEHBR
IWDEHUS
IWDEHBRUS

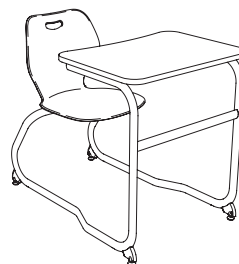


Laminate Top Double Entry Desk
IWDEL
IWDELBR
IWDELUS
IWDELBRUS

Intellect Wave - XL Double Entry Desk



Hard Plastic Top XL Double Entry Desk
IWXDH
IWXDHBR
IWXDHUS
IWXDHBRUS



Laminate Top XL Double Entry Desk
IWXDL
IWXDLBR
IWXDLUS
IWXDLBRUS

Recommended Classroom Seating and Worksurface Heights

SEATING measured to top of seat	10"	12"	13"	14"	15"	16"	18"	24"	30"
WORKSURFACE without book box	17"-19"	19"-21"	21"-23"	22"-24"	24"-26"	26"-28"	28"-30"	35"-37"	40"-42"
GRADE LEVEL									
Pre-K									
K									
1									
2									
3									
4									
5 & up									

Book Box and Book Rack Disclaimer
Book boxes or book racks on desks reduce leg clearance. The next larger size desk or an adjustable leg desk may be a better solution. Prior to ordering, KI recommends reviewing a sample of the desk with students in the appropriate demographic.

Chair Handle Hole Dimensions		
	Width	Height
Small	3.0"	1.0"
Medium	3.5"	1.1"
Large	3.7"	1.2"

Package Code Explanation
PLT:Pallet – Product is protected, banded to pallet and stretch wrapped.
RCK:Racked – Product is protected, banded to wooden rack and stretch wrapped.

KI Color Match Program
KI offers the additional option of color matching paint, polypropylene, or wood stain through Product Modification Requests, contact Customer Service for details.

Whatever you imagine, whatever you require. KI's Color Match program lets you pick your color!

Color Match Process - Poly Seating information can be found here.



Frame Color

Black	BL
Blue Grey	GR
Bronze Metallic	ZM
Cayenne	CY
Champagne Metallic	CM
Chrome	CH
Cool Grey	CG
Cottonwood	CO
Earthen Clay	EY
Espresso Metallic	EX
Everglade Shade	EV
Flannel	FN
Glitz Metallic	GZ
Hazy Jade	HJ
Honey Bee	HY
Light Tone	LG
Mardi Gras	MG
Misty Brown	MY
Nemo	NE
Nordic	ND
Poppy Red	PR
Purple Haze	PH
Rainforest	RQ
Raw Jasper	RJ
Rubber Ducky	RK
Sand	SA
Sky Blue	SK
Starlight Silver Metallic	SX
Surf's Up	SP
Tarragon	TQ
Twilight Shadow	TI
Ultra Blue	UB
Warm Grey	WG
Zesty Lime	ZL

Chrome requires an upcharge and is not available on Double Entry Desks Models IWDE and IWXD.

Seat and Back Color - Polypropylene Non Flame-Retardant

Black	PBL
Blue Grey	PGR
Cayenne	PCY
Cool Grey	PCG
Cottonwood	PCO
Earthen Clay	PEY
Everglade Shade	PEV
Flannel	PFN
Hazy Jade	PHJ
Honey Bee	PHY
Light Tone	PLG
Mardi Gras	PMG
Misty Brown	PMY
Nemo	PNE
Nordic	PND
Poppy Red	PPR
Purple Haze	PPH

Rainforest	PRQ
Raw Jasper	PRJ
Rubber Ducky	PRK
Sand	PSA
Sky Blue	PSK
Surf's Up	PSP
Tarragon	PTQ
Twilight Shadow	PTI
Ultra Blue	PUB
Warm Grey	PWG
Zesty Lime	PZL

Seat and Back Color - Polypropylene Flame-Retardant

Black	PBL
The above seating product can be manufactured using the appropriate flame-retardant materials for compliance of California Technical Bulletin 133.	
Additional colors may be available. Please contact KI customer service at 1-800-424-2432.	

Edge Color for 73P Edge Style

Beigewood	EBZ
Belair	EBQ
Biltmore Cherry	EBT
Black	EBL
Blue Grey	EGR
Brighton Walnut	EBW
Castle Oak	ECO
Cayenne	ECY
Cherry Storm	ECX
Cocobala	ECC
Cool Grey	ECG
Designer White	EDR
Earthen Clay	EEY
Everglade Shade	EEV
Flannel	EFN
Florence Walnut	EFC
Friston Ash	EFH
Frosty White	EFW
Hazy Jade	EHJ
Honey Bee	EHY
Italian Silver Ash	EIT
Kensington Maple	EKM
Light Tone	ELG
Mardi Gras	EMG
Misty Brown	EMY
Monticello Maple	EMT
Multiplex	EMB
Nemo	ENE
Nordic	END
Pinnacle Walnut	EPW
Poppy Red	EPR
Purple Haze	EPH
Rainforest	ERQ
River Cherry	ERY
Rubber Ducky	ERK
Sand	ESA

Sky Blue	ESK
Sterling Ash	EAZ
Surf's Up	ESP
Tarragon	ETQ
Twilight Shadow	ETI
Ultra Blue	EUB
Warm Grey	EWG
Windsor Mahogany	EWY
Zesty Lime	EZL
Additional colors may be available. Please contact KI customer service at 1-800-424-2432.	

Poly Book Box - Cantilever

Black	PBL
Cayenne	PCY
Nordic	PND
Hazy Jade	PHJ
Translucent	PTR

Poly Book Box - All 4-Leg and 3-Leg Desks

Translucent	PTR
-------------	-----

Steel Book Box

Black	SBL
Blue Grey	SGR
Bronze Metallic	SZM
Cayenne	SCY
Champagne Metallic	SCM
Cool Grey	SCG
Cottonwood	SCO
Earthen Clay	SEY
Espresso Metallic	XEX
Everglade Shade	SEV
Flannel	SFN
Glitz Metallic	SGZ
Hazy Jade	SHJ
Honey Bee	SHY
Light Tone	SLG
Mardi Gras	SMG
Misty Brown	SMY
Nemo	SNE
Nordic	SND
Poppy Red	SPR
Purple Haze	SPH
Rainforest	SRQ
Raw Jasper	SRJ
Rubber Ducky	SRK
Sand	SSA
Sky Blue	SSK
Starlight Silver Metallic	SSX
Surf's Up	SSP
Tarragon	STQ
Twilight Shadow	STI
Ultra Blue	SUB
Warm Grey	SWG
Zesty Lime	SZL

Surface Finish--Hard Plastic

Italian Silver Ash	LIT
Kensington Maple	LKM
White Nebula	LWL

Additional colors may be available. Please contact KI customer service at 1-800-424-2432.

Surface Finish--Laminate

Beigewood	LBZ
Belair	LBQ
Biltmore Cherry	LBT
Black	LBK
Brighton Walnut	LBW
Canyon Zephyr	LCA
Castle Oak	LCO
Casual Linen	LCU
Cherry Storm	LCX
Classic Linen	LCI
Cloud Zephyr	LCL
Cocobala	LCC
Crisp Linen	LRI
Desert Zephyr	LDZ
Designer White	LDR
Dove Grey	LDG
Flax Linen	LXF
Florence Walnut	LFC
Forged Steel	LOL
Friston Ash	LFH
Frosty White	LFW
Graphite Nebula	LGN
Grey	LGE
High Rise	LHE
Hollyberry	LHY
Island	LID
Italian Silver Ash	LIT
Kensington Maple	LKM
Lapis Blue	LLB
Markerboard White	LMK
Misted Zephyr	LMR
Monticello Maple	LMT
North Sea	LNA
Ocean	LON
Pearl Bisque	LPB
Pinnacle Walnut	LPW
Pressed Linen	LPR
River Cherry	LRY
Satin Stainless	LSS
Shadow Zephyr	LSR
Silicon evolv	LSV
Sterling Ash	LAZ
Tailored Linen	LTL
Titanium evolv	LTV
White Nebula	LWL
White Sand	LWN
Windsor Mahogany	LWY

Finish Cards

View color swatches for items listed within this document.

<u>Paints</u>	<u>Wood/Veneer</u>	<u>Molded Edges</u>	<u>Hard Plastics</u>
<u>Plastics/Poly</u>	<u>Laminates</u>	<u>Edge Styles</u>	<u>Glass</u>

Certain options referenced may not be available on GSA Schedule.




Intellect Wave® Classroom Furniture (Freight Excluded)

Cantilever Chair



Intellect Wave® Classroom Furniture (Freight Excluded)

Cantilever Chair

Features	MODEL NUMBER						Approx. Packaged Weight	Freight Excluded Pricing Unuph.	Freight Excluded Pricing Fabric Grade 1 & C.O.M.	Freight Excluded Pricing Fabric Grade 2	Freight Excluded Pricing Fabric Grade 3	Freight Excluded Pricing C.O.V.	Freight Excluded Pricing Vinyl Group 2V	Freight Excluded Pricing Pallas Fabric Group P0	Freight Excluded Pricing Pallas Fabric Group P1	Freight Excluded Pricing Pallas Fabric Group P2	Freight Excluded Pricing Pallas Fabric Group P3	Freight Excluded Pricing Pallas Fabric Group P4	Chrome Upcharge add to list price
	Basic Model	Frame Color	Shell Color	Glide Option	Package Code	Upholstery Color													
Small Polypropylene	IWC13	<input type="checkbox"/>	<input type="checkbox"/>	<input type="checkbox"/>	CTN		14.0#	\$ 147											\$ 14
Medium Polypropylene	IWC15	<input type="checkbox"/>	<input type="checkbox"/>	<input type="checkbox"/>	CTN		15.0#	148											14
Large Polypropylene	IWC18	<input type="checkbox"/>	<input type="checkbox"/>	<input type="checkbox"/>	<input type="checkbox"/>		16.0#	150											14
 <p>IWC Cantilever Chair</p> <ul style="list-style-type: none"> Stacking - unupholstered only 																			
Large Polypropylene - Assembled	IWC18BR	<input type="checkbox"/>	<input type="checkbox"/>	<input type="checkbox"/>	CTN		19.0#	\$ 203											\$ 14
 <p>IWC Cantilever Chair with Book Rack</p> <ul style="list-style-type: none"> Chrome book rack Assembled only 																			
Large Upholstered Seat	IWC18U/S	<input type="checkbox"/>	<input type="checkbox"/>	<input type="checkbox"/>	CTN	<input type="checkbox"/>	17.0#	N/A	\$ 228	\$ 233	\$ 243	\$ 228	\$ 243	\$ 235	\$ 286	\$ 304	\$ 327	\$ 346	\$ 14
Large Upholstered Seat with Book Rack	IWC18BRU/S	<input type="checkbox"/>	<input type="checkbox"/>	<input type="checkbox"/>	CTN	<input type="checkbox"/>	20.0#	N/A	272	281	294	272	294	281	335	354	379	398	14
 <p>IWC Upholstered Seat Cantilever Chair</p> <ul style="list-style-type: none"> Optional chrome book rack Assembled only 																			
	A	B	C	D	E	F													

HOW TO ORDER

- Indicate the following information on order form:
- Quantity of each item.
 - Model number, including options. See "How To Build a Model Number".
 - Any special service required.

Note: • The indicates that a choice is required.

- The absence of the indicates that no choice is required.
- Alpha-numeric characters in place of indicate that no other alternatives are available.

HOW TO BUILD A MODEL NUMBER

- A** Select basic model.
- B** Select frame color. Refer to the **Product Color Options** page in this price list. See pricing column for Chrome upcharge.
- C** select shell color. Refer to the **Product Color Options** page in this price list.
- D** Select glide option.
 - NG** - Nylon glides
 - SG** - Steel glides
 - SF** - Felt Solo Glide; add \$2
- E** Select packaging code.
 - CTN** - Cartoned; add \$6
 - RCK** - Racked
 Cartoned upcharges: (Do not add if CTN is only option.)
 IWC18 - \$6

F Select upholstery grade/color. Refer to ki.com/fabrics

UPHOLSTERY INFORMATION

C.O.M. Upholstery
 C.O.M. requirement is 5/8 yard per chair for seat only and 1 yard per chair for seat and back of 54" wide non-directional fabric. For complete information on ordering C.O.M. see "Ordering C.O.M., C.O.V. and C.O.L." section.

OPTIONS

California TB133 Fire Safety Code
 The above seating products can be manufactured using the appropriate flame-retardant materials for compliance to California Technical Bulletin 133. Add "FR" to end of model number.
 Model=Polypropylene
 Added Lead Time=none
 Added List Price=\$29
 Model=Upholstered Seat Only
 Added Lead Time=none
 Added List Price=\$87

INFORMATION

Cartoning Information
 Uncartoned shipments are standard for single order quantities of 24 or more units shipped via KI carrier. Specify RCK.

Cartoning Available
 Specify CTN. Cartoning is required for single orders of less than 24 units or orders sent via air freight or UPS. Dealer requested carriers may also require cartoning.

SPECIAL SERVICES

Special Carton Marking
 With specially marked information N/C

Shipping
 Ships assembled, FOB Green Bay, WI 54302, freight excluded. Freight class 125.

Specifications and prices are subject to change without prior notice.



Intellect Wave® Classroom Furniture (Freight Excluded)

Cantilever Chair w/Rocker Kit



Intellect Wave® Classroom Furniture (Freight Excluded)

Cantilever Chair w/Rocker Kit

MODEL	Features	MODEL NUMBER					Approx. Packaged Weight	Freight Excluded Pricing Unuph.	Chrome Upcharge add to list price
		Basic Model	Frame Color	Shell Color	Glide Option	Package Code			
 <p>Cantilever Chair with Rocker Kit</p> <ul style="list-style-type: none"> Rocker kit ships detached from Cantilever Chair, and requires assembly KI assembly instructions must be followed to ensure stability Features a subtle rocking motion for an active sit 3 degrees of rocking motion on Medium and Large chairs, and 6 degrees on Small chairs 	Small Polypropylene	IWCR13	<input type="checkbox"/>	<input type="checkbox"/>	<input type="checkbox"/>	CTN	15.0#	\$ 202	\$ 14
	Medium Polypropylene	IWCR15	<input type="checkbox"/>	<input type="checkbox"/>	<input type="checkbox"/>	CTN	16.0#	203	14
	Large Polypropylene	IWCR18	<input type="checkbox"/>	<input type="checkbox"/>	<input type="checkbox"/>	CTN	17.0#	204	14
IWCR									
 <p>Intellect Wave Cantilever Chair Rocker Kit Only</p> <ul style="list-style-type: none"> Retrofittable to Small, Medium and Large Intellect Wave Cantilever Chair KI assembly instructions must be followed to ensure stability Provides a subtle rocking motion for an active sit 3 degrees of rocking motion on Medium and Large chairs, and 6 degrees on Small chairs Not useable on chairs with felt floor glides 		IWCRKIT					1.0#	\$ 55	N/A
IWCA									
			A	B	C	D	E		

HOW TO ORDER

- Indicate the following information on order form:
- Quantity of each item.
 - Model number, including options. See "How To Build a Model Number".
 - Any special service required.

Note: • The indicates that a choice is required.

- The absence of the indicates that no choice is required.
- Alpha-numeric characters in place of indicate that no other alternatives are available.

HOW TO BUILD A MODEL NUMBER

- A** Select basic model.
- B** Select frame color. Refer to the **Product Color Options** page in this price list. See pricing column for Chrome upcharge.
- C** select shell color. Refer to the **Product Color Options** page in this price list.
- D** Select glide option.

NG	- Nylon glides
SG	- Steel glides
- E** Select packaging code.

CTN	- Cartoned
------------	------------

OPTIONS

California TB133 Fire Safety Code
 The above seating products can be manufactured using the appropriate flame-retardant materials for compliance to California Technical Bulletin 133. Add "FR" to end of model number.
 Model=Polypropylene
 Added Lead Time=none
 Added List Price=\$29

SPECIAL SERVICES

Special Carton Marking

With specially marked information N/C

Shipping
 Ships **partially assembled, FOB Green Bay, WI 54302, freight excluded.** Freight class 125.

Specifications and prices are subject to change without prior notice.




Intellect Wave® Classroom Furniture (Freight Excluded)

4-Leg Chair



Intellect Wave® Classroom Furniture (Freight Excluded)

4-Leg Chair

Features	MODEL NUMBER						Approx. Packaged Weight	Freight Excluded Pricing Unuph.	Freight Excluded Pricing Fabric Grade 1 & C.O.M.	Freight Excluded Pricing Fabric Grade 2	Freight Excluded Pricing Fabric Grade 3	Freight Excluded Pricing C.O.V.	Freight Excluded Pricing Vinyl Group 2V	Freight Excluded Pricing Pallas Fabric Group P0	Freight Excluded Pricing Pallas Fabric Group P1	Freight Excluded Pricing Pallas Fabric Group P2	Freight Excluded Pricing Pallas Fabric Group P3	Freight Excluded Pricing Pallas Fabric Group P4	Chrome Upcharge add to list price
	Basic Model	Frame Color	Shell Color	Glide Option	Package Code	Upholstery Color													
Extra Small Polypropylene	IW410	<input type="checkbox"/>	<input type="checkbox"/>	<input type="checkbox"/>	CTN		14.0#	\$ 138											\$ 14
Small Polypropylene	IW413	<input type="checkbox"/>	<input type="checkbox"/>	<input type="checkbox"/>	CTN		15.0#	139											14
Medium Polypropylene	IW415	<input type="checkbox"/>	<input type="checkbox"/>	<input type="checkbox"/>	CTN		16.0#	141											14
Large Polypropylene	IW418	<input type="checkbox"/>	<input type="checkbox"/>	<input type="checkbox"/>	<input type="checkbox"/>		17.0#	141											14
 <p>IW4 4-Leg Chair</p> <ul style="list-style-type: none"> Stacking - unupholstered only 																			
Large Polypropylene	IW418BR	<input type="checkbox"/>	<input type="checkbox"/>	<input type="checkbox"/>	CTN		20.0#	\$ 188											\$ 14
 <p>IW4 4-Leg Chair with Book Rack</p> <ul style="list-style-type: none"> Chrome book rack Assembled only 																			
Large Upholstered Seat	IW418U/S	<input type="checkbox"/>	<input type="checkbox"/>	<input type="checkbox"/>	CTN	<input type="checkbox"/>	18.0#	N/A	\$ 214	\$ 223	\$ 233	\$ 214	\$ 233	\$ 225	\$ 274	\$ 290	\$ 312	\$ 330	\$ 14
Large Upholstered Seat with Book Rack	IW418BRU/S	<input type="checkbox"/>	<input type="checkbox"/>	<input type="checkbox"/>	CTN	<input type="checkbox"/>	21.0#	N/A	278	285	303	278	303	288	345	365	390	410	14
 <p>IW4U Upholstered Seat 4-Leg Chair</p> <ul style="list-style-type: none"> Optional chrome book rack Assembled only 																			
	A	B	C	D	E	F													

HOW TO ORDER

- Indicate the following information on order form:
- Quantity of each item.
 - Model number, including options. See "How To Build a Model Number".
 - Any special service required.

Note: • The indicates that a choice is required.

- The absence of the indicates that no choice is required.
- Alpha-numeric characters in place of indicate that no other alternatives are available.

HOW TO BUILD A MODEL NUMBER

- A** Select basic model.
- B** Select frame color. Refer to the **Product Color Options** page in this price list. See pricing column for Chrome upcharge.
- C** select shell color. Refer to the **Product Color Options** page in this price list.
- D** Select glide option.
 - NG - Nylon glides
 - SG - Steel glides
 - SF - Felt Solo Glide; add \$2
- E** Select packaging code.
 - CTN - Cartoned
 - RCK - Racked
 Cartoned upcharges: (Do not add if CTN is only option.)
 IW418 - \$6

F Select upholstery grade/color. Refer to ki.com/fabrics

UPHOLSTERY INFORMATION

C.O.M. Upholstery
 C.O.M. requirement is 5/8 yard per chair for seat only and 1 yard per chair for seat and back of 54" wide non-directional fabric. For complete information on ordering C.O.M. see "Ordering C.O.M., C.O.V. and C.O.L." section.

OPTIONS

California TB133 Fire Safety Code
 The above seating products can be manufactured using the appropriate flame-retardant materials for compliance to California Technical Bulletin 133. Add "FR" to end of model number.
 Model=Polypropylene
 Added Lead Time=none
 Added List Price=\$29
 Model=Upholstered Seat Only
 Added Lead Time=none
 Added List Price=\$87

INFORMATION

Cartoning Information
 Uncartoned shipments are standard for single order quantities of 24 or more units shipped via KI carrier. Specify RCK.

Cartoning Available
 Specify CTN. Cartoning is required for single orders of less than 24 units or orders sent via air freight or UPS. Dealer requested carriers may also require cartoning.

SPECIAL SERVICES

Special Carton Marking

With specially marked information N/C

Shipping
 Ships assembled, FOB Green Bay, WI 54302, freight excluded. Freight class 125.

Specifications and prices are subject to change without prior notice.



Intellect Wave® Classroom Furniture (Freight Excluded)

4-Leg Chair with Casters



Intellect Wave® Classroom Furniture (Freight Excluded)

4-Leg Chair with Casters

MODEL	Features	MODEL NUMBER						Approx. Packaged Weight	Freight Excluded Pricing Unupholstered	Freight Excluded Pricing Fabric Grade 1 & C.O.M.	Freight Excluded Pricing Fabric Grade 2	Freight Excluded Pricing Fabric Grade 3	Freight Excluded Pricing Vinyl Group 2V	Freight Excluded Pricing Pallas Fabric Group P0	Freight Excluded Pricing Pallas Fabric Group P1	Freight Excluded Pricing Pallas Fabric Group P2	Freight Excluded Pricing Pallas Fabric Group P3	Freight Excluded Pricing Pallas Fabric Group P4	Chrome Upcharge add to list price				
		Basic Model	Frame Color	Shell Color	Base	Package Code	Upholstery Color																
 <p>4-Leg Chair with Casters</p> <ul style="list-style-type: none"> Stacking - unupholstered only Optional chrome book rack 	Medium Polypropylene	IW415C	<input type="checkbox"/>	<input type="checkbox"/>	<input type="checkbox"/>	CTN	16.0#	\$ 197											\$ 14				
	Large Polypropylene	IW418C	<input type="checkbox"/>	<input type="checkbox"/>	<input type="checkbox"/>	CTN	17.0#	210											14				
	Large Polypropylene with Book Rack	IW418CBR	<input type="checkbox"/>	<input type="checkbox"/>	<input type="checkbox"/>	CTN	20.0#	255											14				
IW4C	 <p>Upholstered Seat 4-Leg Chair with Casters</p> <ul style="list-style-type: none"> Optional chrome book rack 	Large Upholstered Seat	IW418CU/S	<input type="checkbox"/>	<input type="checkbox"/>	<input type="checkbox"/>	CTN	<input type="checkbox"/>	<input type="checkbox"/>	<input type="checkbox"/>	<input type="checkbox"/>	18.0#	N/A	\$ 273	\$ 277	\$ 289	\$ 289	\$ 279	\$ 327	\$ 346	\$ 367	\$ 383	\$ 14
Large Upholstered Seat with Book Rack		IW418CBRU/S	<input type="checkbox"/>	<input type="checkbox"/>	<input type="checkbox"/>	CTN	<input type="checkbox"/>	<input type="checkbox"/>	<input type="checkbox"/>	<input type="checkbox"/>	21.0#	N/A	325	330	342	342	331	383	399	425	441	\$ 14	
IW4CU																							

A **B** **C** **D** **E** **F**

HOW TO ORDER

- Indicate the following information on order form:
- Quantity of each item.
 - Model number, including options. See "How To Build a Model Number".
 - Any special service required.

Note:

- The indicates that a choice is required.
- The absence of the indicates that no choice is required.
- Alpha-numeric characters in place of indicate that no other alternatives are available.

HOW TO BUILD A MODEL NUMBER

- A** Select basic model.
- B** Select frame color. Refer to the **Product Color Options** page in this price list.
See pricing column for Chrome upcharge.
- C** select shell color. Refer to the **Product Color Options** page in this price list.
- D** Select base.

C	- Carpet casters
S	- Hard floor casters
- E** Select packaging code.

CTN	- Cartoned
------------	------------
- F** Select upholstery grade/color. Refer to ki.com/fabrics

UPHOLSTERY INFORMATION

C.O.M. Upholstery
C.O.M. requirement is 5/8 yard per chair for seat only and 1 yard per chair for seat and back of 54" wide non-directional fabric. For complete information on ordering C.O.M. see "Ordering C.O.M., C.O.V. and C.O.L." section.

OPTIONS

California TB133 Fire Safety Code
The above seating products can be manufactured using the appropriate flame-retardant materials for compliance to California Technical Bulletin 133. Add "FR" to end of model number.
Model=Polypropylene
Added Lead Time=none
Added List Price=\$29
Model=Upholstered Seat Only
Added Lead Time=none
Added List Price=\$87

SPECIAL SERVICES

Special Carton Marking

With specially marked information N/C

Shipping
Ships assembled, FOB Green Bay, WI 54302, freight excluded. Freight class 250.

Specifications and prices are subject to change without prior notice.




Intellect Wave® Classroom Furniture (Freight Excluded)

Task Chair



Intellect Wave® Classroom Furniture (Freight Excluded)

Task Chair

MODEL	Features	MODEL NUMBER				Approx. Packaged Weight	Freight Excluded Pricing Unupholstered	Freight Excluded Pricing Fabric Grade 1 & C.O.M.	Freight Excluded Pricing Fabric Grade 2	Freight Excluded Pricing Fabric Grade 3	Freight Excluded Pricing Vinyl Group 2V	Freight Excluded Pricing Pallas Fabric Group P0	Freight Excluded Pricing Pallas Fabric Group P1	Freight Excluded Pricing Pallas Fabric Group P2	Freight Excluded Pricing Pallas Fabric Group P3	Freight Excluded Pricing Pallas Fabric Group P4
		Basic Model	Shell Color	Base	Upholstery Color											
 Task Chair • Ships KD	Medium Polypropylene	IWPD15	<input type="checkbox"/> <input type="checkbox"/> <input type="checkbox"/>	<input type="checkbox"/>		14.0#	\$ 258									
	Large Polypropylene	IWPD18	<input type="checkbox"/> <input type="checkbox"/> <input type="checkbox"/>	<input type="checkbox"/>		15.0#	276									
	Large Polypropylene with Arms	IWPD18A	<input type="checkbox"/> <input type="checkbox"/> <input type="checkbox"/>	<input type="checkbox"/>		21.0#	433									
IWPD																
 Upholstered Seat Task Chair • Ships KD	Large Upholstered Seat	IWPD18US	<input type="checkbox"/> <input type="checkbox"/> <input type="checkbox"/>	<input type="checkbox"/>	<input type="checkbox"/> <input type="checkbox"/> <input type="checkbox"/> <input type="checkbox"/> <input type="checkbox"/>	16.0#	N/A	\$ 345	\$ 351	\$ 366	\$ 366	\$ 356	\$ 408	\$ 428	\$ 450	\$ 470
	Large Upholstered Seat with Arms	IWPD18AUS	<input type="checkbox"/> <input type="checkbox"/> <input type="checkbox"/>	<input type="checkbox"/>	<input type="checkbox"/> <input type="checkbox"/> <input type="checkbox"/> <input type="checkbox"/> <input type="checkbox"/>	22.0#	N/A	503	509	523	523	512	564	584	608	627
IWPDU																
 Task Chair with Tilt • Ships KD	Large Polypropylene	IWPD18T	<input type="checkbox"/> <input type="checkbox"/> <input type="checkbox"/>	<input type="checkbox"/>		20.0#	\$ 372									
	Large Upholstered Seat	IWPD18TUS	<input type="checkbox"/> <input type="checkbox"/> <input type="checkbox"/>	<input type="checkbox"/>	<input type="checkbox"/> <input type="checkbox"/> <input type="checkbox"/> <input type="checkbox"/> <input type="checkbox"/>	21.0#	N/A	442	449	463	463	450	505	524	547	565
IWPD IWPDU																

A **B** **C** **D**

HOW TO ORDER

- Indicate the following information on order form:
- Quantity of each item.
 - Model number, including options. See "How To Build a Model Number".
 - Any special service required.

Note: • The indicates that a choice is required.
 • The absence of the indicates that no choice is required.
 • Alpha-numeric characters in place of indicate that no other alternatives are available.

HOW TO BUILD A MODEL NUMBER

- A** Select basic model.
- B** select shell color. Refer to the **Product Color Options** page in this price list.
- C** Select base.

G	- Glides
C	- Carpet casters
S	- Hard floor casters
- D** Select upholstery grade/color. Refer to ki.com/fabrics

UPHOLSTERY INFORMATION

C.O.M. Upholstery
 C.O.M. requirement is 5/8 yard per chair for seat only and 1 yard per chair for seat and back of 54" wide non-directional fabric. For complete information on ordering C.O.M. see "Ordering C.O.M., C.O.V. and C.O.L." section.

OPTIONS

California TB133 Fire Safety Code
 The above seating products can be manufactured using the appropriate flame-retardant materials for compliance to California Technical Bulletin 133. Add "FR" to end of model number.
 Model=Polypropylene
 Added Lead Time=none
 Added List Price=\$29
 Model=Upholstered Seat Only
 Added Lead Time=none
 Added List Price=\$87

SPECIAL SERVICES

Special Carton Marking

With specially marked information N/C

Shipping
 Ships **knocked down, FOB Green Bay, WI 54302, freight excluded.** Freight class 125.

Specifications and prices are subject to change without prior notice.

Intellect Wave® Classroom Furniture (Freight Excluded)

Task Stool



Intellect Wave® Classroom Furniture (Freight Excluded)

Task Stool

MODEL	Features	MODEL NUMBER				Approx. Packaged Weight	Freight Excluded Pricing Unupholstered	Freight Excluded Pricing Fabric Grade 1 & C.O.M.	Freight Excluded Pricing Fabric Grade 2	Freight Excluded Pricing Fabric Grade 3	Freight Excluded Pricing Vinyl Group 2V	Freight Excluded Pricing Pallas Fabric Group P0	Freight Excluded Pricing Pallas Fabric Group P1	Freight Excluded Pricing Pallas Fabric Group P2	Freight Excluded Pricing Pallas Fabric Group P3	Freight Excluded Pricing Pallas Fabric Group P4
		Basic Model	Shell Color	Base	Upholstery Color											
IWS	Task Stool • Ships KD	Large Polypropylene	IWS	<input type="checkbox"/> <input type="checkbox"/> <input type="checkbox"/>	<input type="checkbox"/>	26.5#	\$ 325									
		Large Polypropylene with Arms	IWSA	<input type="checkbox"/> <input type="checkbox"/> <input type="checkbox"/>	<input type="checkbox"/>	32.5#	481									
IWSU	Upholstered Seat Task Stool • Ships KD	Large Upholstered Seat	IWSU/S	<input type="checkbox"/> <input type="checkbox"/> <input type="checkbox"/>	<input type="checkbox"/>	27.5#	N/A	\$ 396	\$ 401	\$ 412	\$ 412	\$ 406	\$ 460	\$ 476	\$ 498	\$ 520
		Large Upholstered Seat with Arms	IWSAU/S	<input type="checkbox"/> <input type="checkbox"/> <input type="checkbox"/>	<input type="checkbox"/>	33.5#	N/A	551	559	571	571	563	614	632	654	676

A **B** **C** **D**

HOW TO ORDER

- Indicate the following information on order form:
- Quantity of each item.
 - Model number, including options. See "How To Build a Model Number".
 - Any special service required.

Note: • The indicates that a choice is required.
 • The absence of the indicates that no choice is required.
 • Alpha-numeric characters in place of indicate that no other alternatives are available.

HOW TO BUILD A MODEL NUMBER

- A** Select basic model.
- B** select shell color. Refer to the **Product Color Options** page in this price list.
- C** Select base.

G	- Glides
C	- Carpet casters
S	- Hard floor casters
- D** Select upholstery grade/color. Refer to ki.com/fabrics

UPHOLSTERY INFORMATION

C.O.M. Upholstery
 C.O.M. requirement is 5/8 yard per chair for seat only and 1 yard per chair for seat and back of 54" wide non-directional fabric. For complete information on ordering C.O.M. see "Ordering C.O.M., C.O.V. and C.O.L." section.

OPTIONS

California TB133 Fire Safety Code
 The above seating products can be manufactured using the appropriate flame-retardant materials for compliance to California Technical Bulletin 133. Add "FR" to end of model number.
 Model=Polypropylene
 Added Lead Time=none
 Added List Price=\$29
 Model=Upholstered Seat Only
 Added Lead Time=none
 Added List Price=\$87

SPECIAL SERVICES

Special Carton Marking

With specially marked information N/C

Shipping

Ships **knocked down, FOB Green Bay, WI 54302, freight excluded.** Freight class 125.

Specifications and prices are subject to change without prior notice.



Intellect Wave® Classroom Furniture (Freight Excluded)

Cafe Stool



Intellect Wave® Classroom Furniture (Freight Excluded)

Cafe Stool

MODEL	Features	MODEL NUMBER					Approx. Packaged Weight	Freight Excluded Pricing Unupholstered	Freight Excluded Pricing Fabric Grade 1 & C.O.M.	Freight Excluded Pricing Fabric Grade 2	Freight Excluded Pricing Fabric Grade 3	Freight Excluded Pricing Vinyl Group 2V	Freight Excluded Pricing Pallas Fabric Group P0	Freight Excluded Pricing Pallas Fabric Group P1	Freight Excluded Pricing Pallas Fabric Group P2	Freight Excluded Pricing Pallas Fabric Group P3	Freight Excluded Pricing Pallas Fabric Group P4	Chrome Upcharge add to list price
		Basic Model	Frame Color	Shell Color	Glide Option	Upholstery Color												
 24" Cafe Stool • Stacking • Seat Height 24-1/2"	Large Polypropylene	IWCS24	<input type="checkbox"/>	<input type="checkbox"/>	<input type="checkbox"/>	20.0#	\$ 339											\$ 29
	Large Upholstered Seat	IWCS24U/S	<input type="checkbox"/>	<input type="checkbox"/>	<input type="checkbox"/>	<input type="checkbox"/>	21.0#	N/A	407	412	426	426	413	467	483	506	522	\$ 29
 30" Cafe Stool • Stacking • Seat Height 30-1/2"	Large Polypropylene	IWCS30	<input type="checkbox"/>	<input type="checkbox"/>	<input type="checkbox"/>	22.0#	\$ 353											\$ 29
	Large Upholstered Seat	IWCS30U/S	<input type="checkbox"/>	<input type="checkbox"/>	<input type="checkbox"/>	<input type="checkbox"/>	23.0#	N/A	421	427	439	439	453	480	496	519	537	\$ 29
			A	B	C	D												

IWCS
IWCSU

IWCS
IWCSU

HOW TO ORDER

- Indicate the following information on order form:
- Quantity of each item.
 - Model number, including options. See "How To Build a Model Number".
 - Any special service required.

Note: • The indicates that a choice is required.
 • The absence of the indicates that no choice is required.
 • Alpha-numeric characters in place of indicate that no other alternatives are available.

HOW TO BUILD A MODEL NUMBER

- A** Select basic model.
- B** Select frame color. Refer to the **Product Color Options** page in this price list.
See pricing column for Chrome upcharge.
- C** select shell color. Refer to the **Product Color Options** page in this price list.
- D** Select glide option.

NG	- Nylon glides
SG	- Steel glides
SF	- Felt Solo Glide; add \$2
- E** Select upholstery grade/color. Refer to ki.com/fabrics

UPHOLSTERY INFORMATION

C.O.M. Upholstery
 C.O.M. requirement is 5/8 yard per chair for seat only and 1 yard per chair for seat and back of 54" wide non-directional fabric. For complete information on ordering C.O.M. see "Ordering C.O.M., C.O.V. and C.O.L." section.

OPTIONS

California TB133 Fire Safety Code
 The above seating products can be manufactured using the appropriate flame-retardant materials for compliance to California Technical Bulletin 133. Add "FR" to end of model number.
 Model=Polypropylene
 Added Lead Time=none
 Added List Price=\$29
 Model=Upholstered Seat Only
 Added Lead Time=none
 Added List Price=\$87

SPECIAL SERVICES

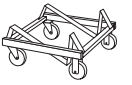
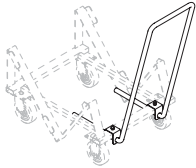
Special Carton Marking

With specially marked information N/C

Shipping
 Ships assembled, FOB Green Bay, WI 54302, freight excluded. Freight class 300.

Specifications and prices are subject to change without prior notice.



		MODEL NUMBER		
MODEL	Basic Model	Approx. Packaged Weight	Freight Excluded Pricing	
 <p>Dolly</p> <ul style="list-style-type: none"> • For 18" cantilever and 18" 4-leg chairs only • Black powder coat finish 	IWD.BL	30.0#	\$ 524	
 <p>Universal Dolly Handle</p> <ul style="list-style-type: none"> • Field installable • Provides convenient handle for relocating dolly when empty or loaded • Overall dolly height with handle is 37" 	UDH.BL	8.0#	\$ 199	

HRDPT

HRDPT

A

HOW TO ORDER

- Indicate the following information on order form:
1. Quantity of each item.
 2. Model number, including options. See "How To Build a Model Number".
 3. Any special service required.

- Note:
- The indicates that a choice is required.
 - The absence of the indicates that no choice is required.
 - Alpha-numeric characters in place of indicate that no other alternatives are available.

HOW TO BUILD A MODEL NUMBER

- A** Select basic model.

SPECIAL SERVICES

Special Carton Marking

With specially marked information N/C

Shipping

Ships assembled, FOB Green Bay, WI 54302, freight excluded. Freight class 150.

Specifications and prices are subject to change without prior notice.


Intellect Wave® Classroom Furniture (Freight Excluded)

Cantilever Desk



Intellect Wave® Classroom Furniture (Freight Excluded)

Cantilever Desk

MODEL	MODEL NUMBER										Approx. Packaged Weight	Freight Excluded Pricing	Chrome Upcharge add to list price	
	Basic Model	Book Storage Option	Poly Book Box Color	Steel Book Box Color	Frame Color	Edge Color	Surface Finish/Hard Plastic Color	Glide Option	Top Shape	Package Code				
 <p>29" Height Hard Plastic Top Cantilever Desk</p> <ul style="list-style-type: none"> Optional book basket Optional book box Optional book bag hook 	IWDCH/29	<input type="checkbox"/> <input type="checkbox"/> <input type="checkbox"/> <input type="checkbox"/>	<input type="checkbox"/> <input type="checkbox"/>	<input type="checkbox"/> <input type="checkbox"/>	<input type="checkbox"/> <input type="checkbox"/>	<input type="checkbox"/> <input type="checkbox"/>	<input type="checkbox"/> <input type="checkbox"/>	<input type="checkbox"/> <input type="checkbox"/>	<input type="checkbox"/> <input type="checkbox"/>	<input type="checkbox"/> <input type="checkbox"/>	32.0#	\$ 302	\$ 14	
IWDC														
<p>29" Height Laminate Top Cantilever Desk</p> <ul style="list-style-type: none"> Optional book basket Optional book box Optional book bag hook Available only with curved front 	IWDCL/29	<input type="checkbox"/> <input type="checkbox"/> <input type="checkbox"/> <input type="checkbox"/>	<input type="checkbox"/> <input type="checkbox"/>	<input type="checkbox"/> <input type="checkbox"/>	<input type="checkbox"/> <input type="checkbox"/>	<input type="checkbox"/> <input type="checkbox"/>	<input type="checkbox"/> <input type="checkbox"/>	<input type="checkbox"/> <input type="checkbox"/>	<input type="checkbox"/> <input type="checkbox"/>	<input type="checkbox"/> <input type="checkbox"/>	32.0#	\$ 302	\$ 14	
IWDC														

A B C D E F G H I J

HOW TO ORDER

- Indicate the following information on order form:
- Quantity of each item.
 - Model number, including options. See "How To Build a Model Number".
 - Any special service required.

Note:

- The indicates that a choice is required.
- The absence of the indicates that no choice is required.
- Alpha-numeric characters in place of indicate that no other alternatives are available.

HOW TO BUILD A MODEL NUMBER

- A** Select basic model.
- B** Select book storage option.
 - NB** - No book storage
 - BH** - Bag hooks; add \$12
 - BB** - Poly book box; add \$35
 - BR** - Book basket; add \$45
 - BBBH** - Poly book box & bag hooks; add \$50
 - BRBH** - Book basket & bag hooks; add \$58
 - SB** - Steel book box; add \$85
 - SBBH** - Steel book box and bag hooks; add \$100
- C** Select poly book box color. Refer to the **Product Color Options** page in this price list. Poly color choice only for poly book box option. If no color selected, book box will be Translucent.
- D** Select steel book box color. Refer to the **Product Color Options** page in this price list.

- Only if steel book box (SB or SBBH) storage is selected.
- E** Select frame color. Refer to the **Product Color Options** page in this price list. See pricing column for Chrome upcharge.
- F** Select edge finish. Refer to the **Product Color Options** page in this price list.
- G** Select surface finish. Refer to the **Product Color Options** page in this price list.
- H** Select glide option.
 - NG** - Nylon glides
 - SG** - Steel glides
 - SF** - Felt solo glide; add \$2
- I** Select top front shape (user side).
 - CFT** - Curved front top
 - SFT** - Straight front top; add \$22
- J** Select packaging code.
 - CTN** - Cartoned; add \$10
 - PLT** - Pallet
 Cartoned: Add upcharge/each.

INFORMATION

- Cartoning Information**
Uncartoned shipments are standard for single order quantities of 24 or more units shipped via KI carrier. Specify PLT.
- Cartoning Available**
Specify CTN. Cartoning is required for single orders of less than 24 units or orders sent via air freight or UPS. Dealer requested carriers may also require cartoning.

SPECIAL SERVICES

- Special Carton Marking**
With specially marked information N/C
- Shipping**
Ships assembled, FOB Green Bay, WI 54302, freight excluded. Freight class 150.

Specifications and prices are subject to change without prior notice.


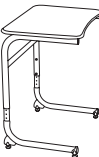

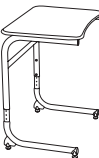
Intellect Wave® Classroom Furniture (Freight Excluded)

Cantilever Desk



Intellect Wave® Classroom Furniture (Freight Excluded)

Cantilever Desk

MODEL	MODEL NUMBER										Approx. Packaged Weight	Freight Excluded Pricing	Chrome Upcharge add to list price
	Basic Model	Book Storage Option	Poly Book Box Color	Steel Book Box Color	Frame Color	Edge Color	Surface Finish/ Hard Plastic Color	Glide Option	Top Shape	Package Code			
 Adjustable Height Hard Plastic Top Cantilever Desk • Optional book basket • Optional book box • Optional book bag hook IWDC	IWDCH/A	<input type="checkbox"/>	<input type="checkbox"/>	<input type="checkbox"/>	<input type="checkbox"/>		<input type="checkbox"/>	<input type="checkbox"/>	<input type="checkbox"/>	<input type="checkbox"/>	32.0#	\$ 348	\$ 14
 Adjustable Height Laminate Top Cantilever Desk • Optional book basket • Optional book box • Optional book bag hook • Available only with curved front IWDC	IWDCL/A	<input type="checkbox"/>	<input type="checkbox"/>	<input type="checkbox"/>	<input type="checkbox"/>	<input type="checkbox"/>	<input type="checkbox"/>	<input type="checkbox"/>		<input type="checkbox"/>	32.0#	\$ 348	\$ 14
 ADA Adjustable Height Hard Plastic Top Cantilever Desk • Optional book basket • Optional book box • Optional book bag hook • Available only with straight front IWDC	IWDCH/ADA	<input type="checkbox"/>	<input type="checkbox"/>	<input type="checkbox"/>	<input type="checkbox"/>		<input type="checkbox"/>	<input type="checkbox"/>		<input type="checkbox"/>	38.0#	\$ 433	\$ 14
 ADA Adjustable Height Laminate Top Cantilever Desk • Optional book basket • Optional book box • Optional book bag hook • Available only with curved front IWDC	IWDCL/ADA	<input type="checkbox"/>	<input type="checkbox"/>	<input type="checkbox"/>	<input type="checkbox"/>	<input type="checkbox"/>	<input type="checkbox"/>	<input type="checkbox"/>		<input type="checkbox"/>	38.0#	\$ 433	\$ 14

A B C D E F G H I J

HOW TO ORDER

- Indicate the following information on order form:
- Quantity of each item.
 - Model number, including options. See "How To Build a Model Number".
 - Any special service required.

Note:

- The indicates that a choice is required.
- The absence of the indicates that no choice is required.
- Alpha-numeric characters in place of indicate that no other alternatives are available.

HOW TO BUILD A MODEL NUMBER

- A** Select basic model.
- B** Select book storage option.
 - NB** - No book storage
 - BH** - Bag hooks; add \$12
 - BB** - Poly book box; add \$35
 - BR** - Book basket; add \$45
 - BBBH** - Poly book box & bag hooks; add \$50
 - BRBH** - Book basket & bag hooks; add \$58
 - SB** - Steel book box; add \$85
 - SBBH** - Steel book box and bag hooks; add \$100
- C** Select poly book box color. Refer to the **Product Color Options** page in this price list. Poly color choice only for poly book box option. If no color selected, book box will be Translucent.
- D** Select steel book box color. Refer to the **Product Color Options** page in this price list.

- Only if steel book box (SB or SBBH) storage is selected.
- E** Select frame color. Refer to the **Product Color Options** page in this price list. See pricing column for Chrome upcharge.
- F** Select edge finish. Refer to the **Product Color Options** page in this price list.
- G** Select surface finish. Refer to the **Product Color Options** page in this price list.
- H** Select glide option.
 - NG** - Nylon glides
 - SG** - Steel glides
 - SF** - Felt solo glide; add \$2
- I** Select top front shape (user side).
 - CFT** - Curved front top
 - SFT** - Straight front top; add \$22
- J** Select packaging code.
 - CTN** - Cartoned; add \$10
 - PLT** - Pallet
 Cartoned: Add upcharge/each.

INFORMATION

- Cartoning Information**
Uncartoned shipments are standard for single order quantities of 24 or more units shipped via air carrier. Specify PLT.
- Cartoning Available**
Specify CTN. Cartoning is required for single orders of less than 24 units or orders sent via air freight or UPS. Dealer requested carriers may also require cartoning.

INFORMATION

- ADA Cartoning Information**
Uncartoned shipments are standard for single order quantities of 10 or more ADA units shipped via KI carrier. Specify PLT.
- ADA Cartoning Available**
Specify CTN. Cartoning is required for single orders of less than 10 ADA units or orders sent via air freight or UPS. Dealer requested carriers may also require cartoning.

SPECIAL SERVICES

- Special Carton Marking**
With specially marked information N/C
- Shipping**
Ships assembled, FOB Green Bay, WI 54302, freight excluded. Freight class 150.

Specifications and prices are subject to change without prior notice.

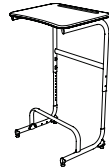
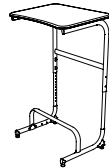
Intellect Wave® Classroom Furniture (Freight Excluded)

Sit/Stand Cantilever Desk



Intellect Wave® Classroom Furniture (Freight Excluded)

Sit/Stand Cantilever Desk

MODEL	MODEL NUMBER									Approx. Packaged Weight	Freight Excluded Pricing	Chrome Upcharge add to list price	
	Basic Model	Book Storage Option	Poly Book Box Color	Steel Book Box Color	Frame Color	Edge Color	Surface Finish/Hard Plastic Color	Glide Option	Top Shape				
 <p>Sit/Stand Height Hard Plastic Top Cantilever Desk</p> <ul style="list-style-type: none"> Optional book basket Optional book box Optional book bag hook Height range 29"-41" Foot bar included as standard 	IWDSH	<input type="checkbox"/> <input type="checkbox"/> <input type="checkbox"/> <input type="checkbox"/>	<input type="checkbox"/> <input type="checkbox"/> <input type="checkbox"/>	<input type="checkbox"/> <input type="checkbox"/> <input type="checkbox"/>	<input type="checkbox"/>		<input type="checkbox"/> <input type="checkbox"/> <input type="checkbox"/>	<input type="checkbox"/>	<input type="checkbox"/> <input type="checkbox"/> <input type="checkbox"/>	38.0#	\$ 512	\$ 16	
 <p>Sit/Stand Height Laminate Top Cantilever Desk</p> <ul style="list-style-type: none"> Optional book basket Optional book box Optional book bag hook Available only with curved front Height range 29"-41" Foot bar included as standard 	IWDSL	<input type="checkbox"/> <input type="checkbox"/> <input type="checkbox"/> <input type="checkbox"/>	<input type="checkbox"/> <input type="checkbox"/> <input type="checkbox"/>	<input type="checkbox"/> <input type="checkbox"/> <input type="checkbox"/>	<input type="checkbox"/>	<input type="checkbox"/> <input type="checkbox"/> <input type="checkbox"/>	<input type="checkbox"/> <input type="checkbox"/> <input type="checkbox"/>	<input type="checkbox"/>	<input type="checkbox"/> <input type="checkbox"/> <input type="checkbox"/>	38.0#	\$ 512	\$ 16	

A B C D E F G H I

HOW TO ORDER

- Indicate the following information on order form:
- Quantity of each item.
 - Model number, including options. See "How To Build a Model Number".
 - Any special service required.

Note:

- The indicates that a choice is required.
- The absence of the indicates that no choice is required.
- Alpha-numeric characters in place of indicate that no other alternatives are available.

HOW TO BUILD A MODEL NUMBER

- A** Select basic model.
- B** Select book storage option.
- NB** - No book storage
 - BH** - Bag hooks; add \$12
 - BB** - Poly book box; add \$35
 - BR** - Book basket; add \$45
 - BBBH** - Poly book box & bag hooks; add \$50
 - BRBH** - Book basket & bag hooks; add \$58
 - SB** - Steel book box; add \$85
 - SBBH** - Steel book box and bag hooks; add \$100
- C** Select poly book box color. Refer to the **Product Color Options** page in this price list. Poly color choice only for poly book box option. If no color selected, book box will be Translucent.
- D** Select steel book box color. Refer to the **Product Color Options** page in this price list.
- E** Select frame color. Refer to the **Product Color Options** page in this price list.
- F** Select edge finish. Refer to the **Product Color Options** page in this price list.
- G** Select surface finish. Refer to the **Product Color Options** page in this price list.
- H** Select glide option.
- NG** - Nylon glides
 - SG** - Steel glides
 - SF** - Felt solo glide; add \$2
- I** Select top front shape (user side).
- CFT** - Curved front top
 - SFT** - Straight front top; add \$22
- Only if steel book box (SB or SBBH) storage is selected.
- See pricing column for Chrome upcharge.

SPECIAL SERVICES

Special Carton Marking

With specially marked information N/C

Shipping

Ships assembled, FOB Green Bay, WI 54302, freight excluded. Freight class 150.

Specifications and prices are subject to change without prior notice.


Intellect Wave® Classroom Furniture (Freight Excluded)

4-Leg Desk



Intellect Wave® Classroom Furniture (Freight Excluded)

4-Leg Desk

MODEL	MODEL NUMBER								Approx. Packaged Weight	Freight Excluded Pricing	Chrome Upcharge add to list price
	Basic Model	Book Storage Option	Frame Color	Edge Color	Surface Finish/ Hard Plastic Color	Glide Option	Top Shape	Book Box Color			
 <p>29" Height Hard Plastic Top 4-Leg Desk</p> <ul style="list-style-type: none"> • Optional book basket • Optional book box • Optional book bag hook 	IWD4FH/29	<input type="checkbox"/> <input type="checkbox"/> <input type="checkbox"/> <input type="checkbox"/>	<input type="checkbox"/>		<input type="checkbox"/> <input type="checkbox"/>	<input type="checkbox"/> <input type="checkbox"/>	<input type="checkbox"/> <input type="checkbox"/> <input type="checkbox"/>	<input type="checkbox"/> <input type="checkbox"/>	26.0#	\$ 270	\$ 16
	IWD4F										
<p>29" Height Laminate Top 4-Leg Desk</p> <ul style="list-style-type: none"> • Optional book basket • Optional book box • Optional book bag hook • Available only with curved front 	IWD4FL/29	<input type="checkbox"/> <input type="checkbox"/> <input type="checkbox"/> <input type="checkbox"/>	<input type="checkbox"/>	<input type="checkbox"/> <input type="checkbox"/>	<input type="checkbox"/> <input type="checkbox"/>	<input type="checkbox"/> <input type="checkbox"/>		<input type="checkbox"/> <input type="checkbox"/>	26.0#	\$ 270	\$ 16
	IWD4F										

A **B** **C** **D** **E** **F** **G** **H**

HOW TO ORDER

- Indicate the following information on order form:
- Quantity of each item.
 - Model number, including options. See "How To Build a Model Number".
 - Any special service required.

Note:

- The indicates that a choice is required.
- The absence of the indicates that no choice is required.
- Alpha-numeric characters in place of indicate that no other alternatives are available.

HOW TO BUILD A MODEL NUMBER

- A** Select basic model.
- B** Select book storage option.
 - NB** - No book storage
 - BH** - Bag hooks; add \$10
 - BB** - Poly book box; add \$30
 - BR** - Book basket; add \$38
 - BBBH** - Poly book box & bag hooks; add \$43
 - BRBH** - Book basket & bag hooks; add \$49
 - SB** - Steel book box; add \$80
 - SBBH** - Steel book box and bag hooks; add \$95
- C** Select frame color. Refer to the **Product Color Options** page in this price list.

See pricing column for chrome upcharge.
- D** Select edge finish. Refer to the **Product Color Options** page in this price list.
- E** Select surface finish. Refer to the **Product Color Options** page in this price list.
- F** Select glide option.
 - NG** - Nylon glides
 - SG** - Steel glides
 - SF** - Felt solo glide; add \$2
- G** Select top front shape (user side).
 - CFT** - Curved front top
 - SFT** - Straight front top; add \$22
- H** Select steel book box color. Refer to the **Product Color Options** page in this price list. Only if steel book box (SB or SBBH) storage is selected.

SPECIAL SERVICES

Special Carton Marking
 With specially marked information N/C

Shipping
 Ships assembled, FOB Manitowoc, WI 54220, freight excluded. Freight class 150.

Specifications and prices are subject to change without prior notice.





Intellect Wave® Classroom Furniture (Freight Excluded)

4-Leg Desk



Intellect Wave® Classroom Furniture (Freight Excluded)

4-Leg Desk

MODEL	MODEL NUMBER								Approx. Packaged Weight	Freight Excluded Pricing	Chrome Upcharge add to list price	
	Basic Model	Book Storage Option	Frame Color	Edge Color	Surface Finish/ Hard Plastic Color	Glide Option	Top Shape	Book Box Color				
 Adjustable Height Hard Plastic Top 4-Leg Desk • Optional book basket • Optional book box • Optional book bag hook IWD4F	IWD4FH/A	<input type="checkbox"/> <input type="checkbox"/> <input type="checkbox"/> <input type="checkbox"/>	<input type="checkbox"/>		<input type="checkbox"/>	<input type="checkbox"/>	<input type="checkbox"/> <input type="checkbox"/> <input type="checkbox"/>	<input type="checkbox"/> <input type="checkbox"/>	26.0#	\$ 314	\$ 16	
 Adjustable Height Laminate Top 4-Leg Desk • Optional book basket • Optional book box • Optional book bag hook • Available only with curved front IWD4F	IWD4FL/A	<input type="checkbox"/> <input type="checkbox"/> <input type="checkbox"/> <input type="checkbox"/>	<input type="checkbox"/>	<input type="checkbox"/> <input type="checkbox"/>	<input type="checkbox"/>	<input type="checkbox"/>		<input type="checkbox"/> <input type="checkbox"/>	26.0#	\$ 314	\$ 16	
 ADA Adjustable Height Hard Plastic Top 4-Leg Desk • Optional book basket • Optional book box • Optional book bag hook • Available only with straight front IWD4F	IWD4FH/ADA	<input type="checkbox"/> <input type="checkbox"/> <input type="checkbox"/> <input type="checkbox"/>	<input type="checkbox"/>		<input type="checkbox"/>	<input type="checkbox"/>		<input type="checkbox"/> <input type="checkbox"/>	31.0#	\$ 393	\$ 16	
 ADA Adjustable Height Laminate Top 4-Leg Desk • Optional book basket • Optional book box • Optional book bag hook • Available only with curved front IWD4F	IWD4FL/ADA	<input type="checkbox"/> <input type="checkbox"/> <input type="checkbox"/> <input type="checkbox"/>	<input type="checkbox"/>	<input type="checkbox"/> <input type="checkbox"/>	<input type="checkbox"/>	<input type="checkbox"/>		<input type="checkbox"/> <input type="checkbox"/>	31.0#	\$ 393	\$ 16	
		A	B	C	D	E	F	G	H			

HOW TO ORDER

- Indicate the following information on order form:
- Quantity of each item.
 - Model number, including options. See "How To Build a Model Number".
 - Any special service required.

Note: • The indicates that a choice is required.
 • The absence of the indicates that no choice is required.
 • Alpha-numeric characters in place of indicate that no other alternatives are available.

HOW TO BUILD A MODEL NUMBER

- A** Select basic model.
- B** Select book storage option.
NB - No book storage
BH - Bag hooks; add \$10
BB - Poly book box; add \$30
BR - Book basket; add \$38
BBBH - Poly book box & bag hooks; add \$43
BRBH - Book basket & bag hooks; add \$49
SB - Steel book box; add \$80
SBBH - Steel book box and bag hooks; add \$95
- C** Select frame color.
 Refer to the **Product Color Options** page in this price list.

 See pricing column for chrome upcharge.
- D** Select edge finish.
 Refer to the **Product Color Options** page in this price list.
- E** Select surface finish.
 Refer to the **Product Color Options** page in this price list.
- F** Select glide option.
NG - Nylon glides
SG - Steel glides
SF - Felt solo glide; add \$2
- G** Select top front shape (user side).
CFT - Curved front top
SFT - Straight front top; add \$22
- H** Select steel book box color.
 Refer to the **Product Color Options** page in this price list.
 Only if steel book box (SB or SBBH) storage is selected.

SPECIAL SERVICES

Special Carton Marking

With specially marked information N/C

Shipping

Ships assembled, FOB Manitowoc, WI 54220, freight excluded. Freight class 150.

Specifications and prices are subject to change without prior notice.

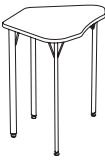
Intellect Wave® Classroom Furniture (Freight Excluded)

Trapezoid Desk



Intellect Wave® Classroom Furniture (Freight Excluded)

Trapezoid Desk

MODEL	MODEL NUMBER							Approx. Packaged Weight	Freight Excluded Pricing	Chrome Upcharge add to list price
	Basic Model	Book Storage Option	Frame Color	Edge Color	Surface Finish/ Hard Plastic Color	Glide Option	Book Box Color			
 <p>29" Height Hard Plastic Top Trapezoid Desk • Optional book basket • Optional book box • Optional book bag hook</p>	IWDTFH/29	<input type="checkbox"/> <input type="checkbox"/> <input type="checkbox"/> <input type="checkbox"/>	<input type="checkbox"/>		<input type="checkbox"/> <input type="checkbox"/>	<input type="checkbox"/> <input type="checkbox"/>	<input type="checkbox"/> <input type="checkbox"/>	26.0#	\$ 290	\$ 16
	IWDTF									
<p>29" Height Laminate Top Trapezoid Desk • Optional book basket • Optional book box • Optional book bag hook</p>	IWDTFL/29	<input type="checkbox"/> <input type="checkbox"/> <input type="checkbox"/> <input type="checkbox"/>	<input type="checkbox"/>	<input type="checkbox"/> <input type="checkbox"/>	<input type="checkbox"/> <input type="checkbox"/>	<input type="checkbox"/> <input type="checkbox"/>	<input type="checkbox"/> <input type="checkbox"/>	26.0#	\$ 290	\$ 16
	IWDTF									
<p>Adjustable Height Hard Plastic Top Trapezoid Desk • Optional book basket • Optional book box • Optional book bag hook</p>	IWDTFH/A	<input type="checkbox"/> <input type="checkbox"/> <input type="checkbox"/> <input type="checkbox"/>	<input type="checkbox"/>		<input type="checkbox"/> <input type="checkbox"/>	<input type="checkbox"/> <input type="checkbox"/>	<input type="checkbox"/> <input type="checkbox"/>	26.0#	\$ 332	\$ 16
	IWDTF									
<p>Adjustable Height Laminate Top Trapezoid Desk • Optional book basket • Optional book box • Optional book bag hook</p>	IWDTFL/A	<input type="checkbox"/> <input type="checkbox"/> <input type="checkbox"/> <input type="checkbox"/>	<input type="checkbox"/>	<input type="checkbox"/> <input type="checkbox"/>	<input type="checkbox"/> <input type="checkbox"/>	<input type="checkbox"/> <input type="checkbox"/>	<input type="checkbox"/> <input type="checkbox"/>	26.0#	\$ 332	\$ 16
	IWDTF									

A B C D E F G

HOW TO ORDER

- Indicate the following information on order form:
- Quantity of each item.
 - Model number, including options. See "How To Build a Model Number".
 - Any special service required.

Note: • The indicates that a choice is required.
 • The absence of the indicates that no choice is required.
 • Alpha-numeric characters in place of indicate that no other alternatives are available.

HOW TO BUILD A MODEL NUMBER

- A** Select basic model.
- B** Select book storage option.
NB - No book storage
BH - Bag hooks; add \$10
BB - Poly book box; add \$30
BR - Book basket; add \$38
BBBH - Poly book box & bag hooks; add \$43
BRBH - Book basket & bag hooks; add \$49
SB - Steel book box; add \$80
SBBH - Steel book box and bag hooks; add \$95
- C** Select frame color.
 Refer to the **Product Color Options** page in this price list.
 See pricing column for chrome upcharge.
- D** Select edge finish.
 Refer to the **Product Color Options** page in this price list.
- E** Select surface finish.
 Refer to the **Product Color Options** page in this price list.
- F** Select glide option.
NG - Nylon glides
SG - Steel glides
SF - Felt solo glide; add \$2
- G** Select steel book box color.
 Refer to the **Product Color Options** page in this price list.
 Only if steel book box (SB or SBBH) storage is selected.

SPECIAL SERVICES

Special Carton Marking

With specially marked information N/C

Shipping

Ships assembled, FOB Manitowoc, WI 54220, freight excluded. Freight class 150.

Specifications and prices are subject to change without prior notice.

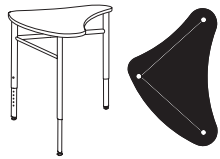
Intellect Wave® Classroom Furniture (Freight Excluded)

Tripod Desk



Intellect Wave® Classroom Furniture (Freight Excluded)

Tripod Desk

MODEL	Features	MODEL NUMBER							Approx. Packaged Weight	Freight Excluded Pricing	Chrome Upcharge add to list price
		Basic Model	Book Storage Option	Frame Color	Edge Color	Surface Finish/ Hard Plastic Color	Glide Option	Book Box Color			
 Laminated Adjustable Height Tripod Desk • Ships fully assembled IWD3	Contour Top	IWD3LC/A	<input type="checkbox"/> <input type="checkbox"/> <input type="checkbox"/> <input type="checkbox"/>	<input type="checkbox"/>	<input type="checkbox"/> <input type="checkbox"/> <input type="checkbox"/>	<input type="checkbox"/> <input type="checkbox"/>	<input type="checkbox"/>	<input type="checkbox"/>	25.0#	\$ 331	\$ 16
	Linear Top	IWD3LL/A	<input type="checkbox"/> <input type="checkbox"/> <input type="checkbox"/> <input type="checkbox"/>	<input type="checkbox"/>	<input type="checkbox"/> <input type="checkbox"/> <input type="checkbox"/>	<input type="checkbox"/> <input type="checkbox"/>	<input type="checkbox"/>	<input type="checkbox"/>	25.0#	\$ 331	\$ 16
	Linear Top	IWD3HL/A	<input type="checkbox"/> <input type="checkbox"/> <input type="checkbox"/> <input type="checkbox"/>	<input type="checkbox"/>	<input type="checkbox"/> <input type="checkbox"/> <input type="checkbox"/>	<input type="checkbox"/> <input type="checkbox"/>	<input type="checkbox"/>	<input type="checkbox"/>	25.0#	\$ 331	\$ 16
	Linear Top	IWD3HL/A	<input type="checkbox"/> <input type="checkbox"/> <input type="checkbox"/> <input type="checkbox"/>	<input type="checkbox"/>	<input type="checkbox"/> <input type="checkbox"/> <input type="checkbox"/>	<input type="checkbox"/> <input type="checkbox"/>	<input type="checkbox"/>	<input type="checkbox"/>	25.0#	\$ 331	\$ 16
			A	B	C	D	E	F	G		

HOW TO ORDER

- Indicate the following information on order form:
- Quantity of each item.
 - Model number, including options. See "How To Build a Model Number".
 - Any special service required.

Note:

- The indicates that a choice is required.
- The absence of the indicates that no choice is required.
- Alpha-numeric characters in place of indicate that no other alternatives are available.

HOW TO BUILD A MODEL NUMBER

- A** Select basic model.
- B** Select book storage option.
 - NB** - No book storage
 - BH** - Bag hooks; add \$10
 - BB** - Poly book box; add \$30
 - BR** - Book basket; add \$38
 - BBBH** - Poly book box & bag hooks; add \$43
 - BRBH** - Book basket & bag hooks; add \$49
 - SB** - Steel book box; add \$80
 - SBBH** - Steel book box and bag hooks; add \$95
- C** Select frame color. Refer to the **Product Color Options** page in this price list. See pricing column for chrome upcharge.
- D** Select edge finish. Refer to the **Product Color Options** page in this price list.
- E** Select surface finish. Refer to the **Product Color Options** page in this price list.
- F** Select glide option.
 - NG** - Nylon glides
 - SG** - Steel glides
 - SF** - Felt solo glide; add \$2
- G** Select steel book box color. Refer to the **Product Color Options** page in this price list. Only if steel book box (SB or SBBH) storage is selected.

SPECIAL SERVICES

Special Carton Marking

With specially marked information N/C

Shipping

Ships assembled, FOB Manitowoc, WI 54220, freight excluded. Freight class 125.

Specifications and prices are subject to change without prior notice.


Intellect Wave® Classroom Furniture (Freight Excluded)

Double Entry Desk



Intellect Wave® Classroom Furniture (Freight Excluded)

Double Entry Desk

Features	MODEL NUMBER								Approx. Packaged Weight	Freight Excluded Pricing Unuph.	Freight Excluded Pricing Fabric Grade 1 & C.O.M.	Freight Excluded Pricing Fabric Grade 2	Freight Excluded Pricing Fabric Grade 3	Freight Excluded Pricing Vinyl Group 2V	Freight Excluded Pricing Pallas Fabric Group P0	Freight Excluded Pricing Pallas Fabric Group P1	Freight Excluded Pricing Pallas Fabric Group P2	Freight Excluded Pricing Pallas Fabric Group P3	Freight Excluded Pricing Pallas Fabric Group P4
	Basic Model	Book Storage Option	Frame Color	Shell Color	Edge Color	Surface Finish/ Hard Plastic Color	Glide Option	Upholstery Color											
Polypropylene	IWDEH	<input type="checkbox"/>	<input type="checkbox"/>	<input type="checkbox"/>	<input type="checkbox"/>	<input type="checkbox"/>	<input type="checkbox"/>	<input type="checkbox"/>	40.0#	\$ 425									
Polypropylene with Book Rack	IWDEHBR	<input type="checkbox"/>	<input type="checkbox"/>	<input type="checkbox"/>	<input type="checkbox"/>	<input type="checkbox"/>	<input type="checkbox"/>	<input type="checkbox"/>	42.0#	452									
Upholstered Seat	IWDEHU/S	<input type="checkbox"/>	<input type="checkbox"/>	<input type="checkbox"/>	<input type="checkbox"/>	<input type="checkbox"/>	<input type="checkbox"/>	<input type="checkbox"/>	41.0#	N/A	489	499	509	509	500	551	567	589	610
Upholstered Seat with Book Rack	IWDEHBRU/S	<input type="checkbox"/>	<input type="checkbox"/>	<input type="checkbox"/>	<input type="checkbox"/>	<input type="checkbox"/>	<input type="checkbox"/>	<input type="checkbox"/>	43.0#	N/A	519	525	537	537	527	578	594	619	637
																			
IWDE IWDEU Hard Plastic Top Double Entry Desk <ul style="list-style-type: none"> • Optional chrome book rack • Optional book bag hook • 29" worksurface height 																			
Polypropylene	IWDEL	<input type="checkbox"/>	<input type="checkbox"/>	<input type="checkbox"/>	<input type="checkbox"/>	<input type="checkbox"/>	<input type="checkbox"/>	<input type="checkbox"/>	40.0#	\$ 425									
Polypropylene with Book Rack	IWDELBR	<input type="checkbox"/>	<input type="checkbox"/>	<input type="checkbox"/>	<input type="checkbox"/>	<input type="checkbox"/>	<input type="checkbox"/>	<input type="checkbox"/>	42.0#	452									
Upholstered Seat	IWDELU/S	<input type="checkbox"/>	<input type="checkbox"/>	<input type="checkbox"/>	<input type="checkbox"/>	<input type="checkbox"/>	<input type="checkbox"/>	<input type="checkbox"/>	41.0#	N/A	489	499	509	509	500	551	567	589	610
Upholstered Seat with Book Rack	IWDELBRU/S	<input type="checkbox"/>	<input type="checkbox"/>	<input type="checkbox"/>	<input type="checkbox"/>	<input type="checkbox"/>	<input type="checkbox"/>	<input type="checkbox"/>	43.0#	N/A	519	525	537	537	527	578	594	619	637
IWDE IWDEU Laminate Top Double Entry Desk <ul style="list-style-type: none"> • Optional chrome book rack • Optional book bag hook • 29" worksurface height 																			
A B C D E F G H																			

HOW TO ORDER

- Indicate the following information on order form:
- Quantity of each item.
 - Model number, including options. See "How To Build a Model Number".
 - Any special service required.

Note: • The indicates that a choice is required.
 • The absence of the indicates that no choice is required.
 • Alpha-numeric characters in place of indicate that no other alternatives are available.

HOW TO BUILD A MODEL NUMBER

- A** Select basic model.
- B** Select book storage option.
 NB - No book bag hook
 BH - Bag hooks; add \$12
- C** Select frame color.
 Refer to the **Product Color Options** page in this price list.
- D** Select shell color.
 Refer to the **Product Color Options** page in this price list.
- E** Select edge finish.
 Refer to the **Product Color Options** page in this price list.
- F** Select surface finish.
 Refer to the **Product Color Options** page in this price list.
- G** Select glide option.

- NG - Nylon glides
- SG - Steel glides
- SF - Felt solo glide; add \$2

H Select upholstery grade/color.
 Refer to ki.com/fabrics

UPHOLSTERY INFORMATION

C.O.M. Upholstery
 C.O.M. requirement is 5/8 yard per chair for seat only and 1 yard per chair for seat and back of 54" wide non-directional fabric. For complete information on ordering C.O.M. see "Ordering C.O.M., C.O.V. and C.O.L." section.

OPTIONS

California TB133 Fire Safety Code
 The above seating products can be manufactured using the appropriate flame-retardant materials for compliance to California Technical Bulletin 133. Add "FR" to end of model number.
 Model=Polypropylene
 Added Lead Time=none
 Added List Price=\$29
 Model=Upholstered Seat Only
 Added Lead Time=none
 Added List Price=\$87

SPECIAL SERVICES

Special Carton Marking

With specially marked information N/C

Shipping
 Ships assembled, FOB Green Bay, WI 54302, freight excluded. Freight class 300.

Specifications and prices are subject to change without prior notice.

Intellect Wave® Classroom Furniture (Freight Excluded)

XL Double Entry Desk



Intellect Wave® Classroom Furniture (Freight Excluded)

XL Double Entry Desk

Features	MODEL NUMBER								Approx. Packaged Weight	Freight Excluded Pricing Unuph.	Freight Excluded Pricing Fabric Grade 1 & C.O.M.	Freight Excluded Pricing Fabric Grade 2	Freight Excluded Pricing Fabric Grade 3	Freight Excluded Pricing Vinyl Group 2V	Freight Excluded Pricing Pallas Fabric Group P0	Freight Excluded Pricing Pallas Fabric Group P1	Freight Excluded Pricing Pallas Fabric Group P2	Freight Excluded Pricing Pallas Fabric Group P3	Freight Excluded Pricing Pallas Fabric Group P4
	Basic Model	Book Storage Option	Frame Color	Shell Color	Edge Color	Surface Finish/ Hard Plastic Color	Glide Option	Upholstery Color											
Polypropylene	IWXDH	<input type="checkbox"/>	<input type="checkbox"/>	<input type="checkbox"/>	<input type="checkbox"/>	<input type="checkbox"/>	<input type="checkbox"/>		42.0#	\$ 482									
Polypropylene with Book Rack	IWXDHBR	<input type="checkbox"/>	<input type="checkbox"/>	<input type="checkbox"/>	<input type="checkbox"/>	<input type="checkbox"/>	<input type="checkbox"/>		44.0#	509									
Upholstered Seat	IWXDHU/S	<input type="checkbox"/>	<input type="checkbox"/>	<input type="checkbox"/>	<input type="checkbox"/>	<input type="checkbox"/>	<input type="checkbox"/>	<input type="checkbox"/>	43.0#	N/A	550	554	566	566	555	607	626	646	666
Upholstered Seat with Book Rack	IWXDHBRU/S	<input type="checkbox"/>	<input type="checkbox"/>	<input type="checkbox"/>	<input type="checkbox"/>	<input type="checkbox"/>	<input type="checkbox"/>	<input type="checkbox"/>	45.0#	N/A	577	582	593	593	584	636	653	676	692
Hard Plastic Top XL Double Entry Desk																			
<ul style="list-style-type: none"> Optional chrome book rack Optional book bag hook 30" worksurface height 																			
Polypropylene	IWXDL	<input type="checkbox"/>	<input type="checkbox"/>	<input type="checkbox"/>	<input type="checkbox"/>	<input type="checkbox"/>	<input type="checkbox"/>		42.0#	\$ 482									
Polypropylene with Book Rack	IWXDLBR	<input type="checkbox"/>	<input type="checkbox"/>	<input type="checkbox"/>	<input type="checkbox"/>	<input type="checkbox"/>	<input type="checkbox"/>		44.0#	509									
Upholstered Seat	IWXDLU/S	<input type="checkbox"/>	<input type="checkbox"/>	<input type="checkbox"/>	<input type="checkbox"/>	<input type="checkbox"/>	<input type="checkbox"/>	<input type="checkbox"/>	43.0#	N/A	550	554	566	566	555	607	626	646	666
Upholstered Seat with Book Rack	IWXDLBRU/S	<input type="checkbox"/>	<input type="checkbox"/>	<input type="checkbox"/>	<input type="checkbox"/>	<input type="checkbox"/>	<input type="checkbox"/>	<input type="checkbox"/>	45.0#	N/A	577	582	593	593	584	636	653	676	692
Laminate Top XL Double Entry Desk																			
<ul style="list-style-type: none"> Optional chrome book rack Optional book bag hook 30" worksurface height 																			
	A	B	C	D	E	F	G	H											

HOW TO ORDER

- Indicate the following information on order form:
- Quantity of each item.
 - Model number, including options. See "How To Build a Model Number".
 - Any special service required.

Note: • The indicates that a choice is required.
 • The absence of the indicates that no choice is required.
 • Alpha-numeric characters in place of indicate that no other alternatives are available.

HOW TO BUILD A MODEL NUMBER

- A** Select basic model.
- B** Select book storage option.
 NB - No book bag hook
 BH - Bag hooks; add \$12
- C** Select frame color.
 Refer to the **Product Color Options** page in this price list.
- D** Select shell color.
 Refer to the **Product Color Options** page in this price list.
- E** Select edge finish.
 Refer to the **Product Color Options** page in this price list.
- F** Select surface finish.
 Refer to the **Product Color Options** page in this price list.
- G** Select glide option.

NG	- Nylon glides
SG	- Steel glides
SF	- Felt solo glide; add \$2

H Select upholstery grade/color.
 Refer to ki.com/fabrics

UPHOLSTERY INFORMATION

C.O.M. Upholstery
 C.O.M. requirement is 5/8 yard per chair for seat only and 1 yard per chair for seat and back of 54" wide non-directional fabric. For complete information on ordering C.O.M. see "Ordering C.O.M., C.O.V. and C.O.L." section.

OPTIONS

California TB133 Fire Safety Code
 The above seating products can be manufactured using the appropriate flame-retardant materials for compliance to California Technical Bulletin 133. Add "FR" to end of model number.
 Model=Polypropylene
 Added Lead Time=none
 Added List Price=\$29
 Model=Upholstered Seat Only
 Added Lead Time=none
 Added List Price=\$87

SPECIAL SERVICES

Special Carton Marking

With specially marked information N/C

Shipping
 Ships assembled, FOB Green Bay, WI 54302, freight excluded. Freight class 300.

Specifications and prices are subject to change without prior notice.



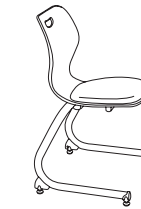
Intellect Wave® Classroom Furniture (Delivered)

Cantilever Chair



Intellect Wave® Classroom Furniture (Delivered)

Cantilever Chair

Features	MODEL NUMBER						Approx. Packaged Weight	Delivered Pricing	Delivered Pricing Fabric Grade 1 & C.O.M.	Delivered Pricing Fabric Grade 2	Delivered Pricing Fabric Grade 3	Delivered Pricing C.O.V.	Delivered Pricing Vinyl Group 2V	Delivered Pricing Pallas Fabric Group P0	Delivered Pricing Pallas Fabric Group P1	Delivered Pricing Pallas Fabric Group P2	Delivered Pricing Pallas Fabric Group P3	Delivered Pricing Pallas Fabric Group P4	Chrome Upcharge add to list price
	Basic Model	Frame Color	Shell Color	Glide Option	Package Code	Upholstery Color													
 <p>IWC Cantilever Chair</p> <ul style="list-style-type: none"> Stacking - unupholstered only 	Small Polypropylene	IWC13	<input type="checkbox"/>	<input type="checkbox"/>	<input type="checkbox"/>	CTN	14.0#	\$ 167											\$ 15
	Medium Polypropylene	IWC15	<input type="checkbox"/>	<input type="checkbox"/>	<input type="checkbox"/>	CTN	15.0#	168											15
	Large Polypropylene	IWC18	<input type="checkbox"/>	<input type="checkbox"/>	<input type="checkbox"/>	<input type="checkbox"/>		16.0#	170										15
 <p>IWC Cantilever Chair with Book Rack</p> <ul style="list-style-type: none"> Chrome book rack Assembled only 	Large Polypropylene - Assembled	IWC18BR	<input type="checkbox"/>	<input type="checkbox"/>	<input type="checkbox"/>	CTN	19.0#	\$ 236											\$ 15
	Large Upholstered Seat	IWC18U/S	<input type="checkbox"/>	<input type="checkbox"/>	<input type="checkbox"/>	CTN	17.0#	N/A	\$ 257	\$ 264	\$ 280	\$ 257	\$ 280	\$ 268	\$ 326	\$ 346	\$ 374	\$ 393	\$ 15
 <p>IWC Upholstered Seat Cantilever Chair</p> <ul style="list-style-type: none"> Optional chrome book rack Assembled only 	Large Upholstered Seat with Book Rack	IWC18BRU/S	<input type="checkbox"/>	<input type="checkbox"/>	<input type="checkbox"/>	CTN	20.0#	N/A	305	314	330	305	330	328	376	397	425	446	15

A **B** **C** **D** **E** **F**

HOW TO ORDER

- Indicate the following information on order form:
- Quantity of each item.
 - Model number, including options. See "How To Build a Model Number".
 - Any special service required.

Note: • The indicates that a choice is required.
 • The absence of the indicates that no choice is required.
 • Alpha-numeric characters in place of indicate that no other alternatives are available.

HOW TO BUILD A MODEL NUMBER

- A** Select basic model.
- B** Select frame color. Refer to the **Product Color Options** page in this price list.
See pricing column for Chrome upcharge.
- C** select shell color. Refer to the **Product Color Options** page in this price list.
- D** Select glide option.
 - NG** - Nylon glides
 - SG** - Steel glides
 - SF** - Felt Solo Glide; add \$3
- E** Select packaging code.
 - CTN** - Cartoned; add \$8
 - RCK** - Racked
 Cartoned upcharges: (Do not add if CTN is only option.)

F Select upholstery grade/color. Refer to ki.com/fabrics

UPHOLSTERY INFORMATION

C.O.M. Upholstery
 C.O.M. requirement is 5/8 yard per chair for seat only and 1 yard per chair for seat and back of 54" wide non-directional fabric. For complete information on ordering C.O.M. see "Ordering C.O.M., C.O.V. and C.O.L." section.

OPTIONS

California TB133 Fire Safety Code
 The above seating products can be manufactured using the appropriate flame-retardant materials for compliance to California Technical Bulletin 133. Add "FR" to end of model number.
 Model=Polypropylene
 Added Lead Time=none
 Added List Price=\$32
 Model=Upholstered Seat Only
 Added Lead Time=none
 Added List Price=\$98

INFORMATION

Cartoning Information
 Uncartoned shipments are standard for single order quantities of 24 or more units shipped via KI carrier. Specify RCK.
Cartoning Available
 Specify CTN. Cartoning is required for single orders of less than 24 units or orders sent via air freight or UPS. Dealer requested carriers may also require cartoning.

SPECIAL SERVICES

Special Carton Marking
 With specially marked information N/C
Shipping
 Ships assembled, FOB Green Bay, WI 54302, freight prepaid. Freight class 125.
 Specifications and prices are subject to change without prior notice.



Intellect Wave® Classroom Furniture (Delivered)

Cantilever Chair w/Rocker Kit



Intellect Wave® Classroom Furniture (Delivered)

Cantilever Chair w/Rocker Kit

MODEL	Features	MODEL NUMBER					Approx. Packaged Weight	Delivered Pricing	Chrome Upcharge add to list price
		Basic Model	Frame Color	Shell Color	Glide Option	Package Code			
 <p>Cantilever Chair with Rocker Kit</p> <ul style="list-style-type: none"> Rocker kit ships detached from Cantilever Chair, and requires assembly KI assembly instructions must be followed to ensure stability Features a subtle rocking motion for an active sit 3 degrees of rocking motion on Medium and Large chairs, and 6 degrees on Small chairs 	Small Polypropylene	IWCR13	<input type="checkbox"/>	<input type="checkbox"/>	<input type="checkbox"/>	CTN	15.0#	\$ 227	\$ 15
	Medium Polypropylene	IWCR15	<input type="checkbox"/>	<input type="checkbox"/>	<input type="checkbox"/>	CTN	16.0#	228	15
	Large Polypropylene	IWCR18	<input type="checkbox"/>	<input type="checkbox"/>	<input type="checkbox"/>	CTN	17.0#	230	15
IWCR									
 <p>Intellect Wave Cantilever Chair Rocker Kit Only</p> <ul style="list-style-type: none"> Retrofittable to Small, Medium and Large Intellect Wave Cantilever Chair KI assembly instructions must be followed to ensure stability Provides a subtle rocking motion for an active sit 3 degrees of rocking motion on Medium and Large chairs, and 6 degrees on Small chairs Not useable on chairs with felt floor glides 		IWCRKIT					1.0#	\$ 60	N/A
IWCA									
			A	B	C	D	E		

HOW TO ORDER

- Indicate the following information on order form:
- Quantity of each item.
 - Model number, including options. See "How To Build a Model Number".
 - Any special service required.

Note: • The indicates that a choice is required.

- The absence of the indicates that no choice is required.
- Alpha-numeric characters in place of indicate that no other alternatives are available.

HOW TO BUILD A MODEL NUMBER

- A** Select basic model.
- B** Select frame color. Refer to the **Product Color Options** page in this price list. See pricing column for Chrome upcharge.
- C** select shell color. Refer to the **Product Color Options** page in this price list.
- D** Select glide option.

NG	- Nylon glides
SG	- Steel glides
- E** Select packaging code.

CTN	- Cartoned
------------	------------

OPTIONS

California TB133 Fire Safety Code
 The above seating products can be manufactured using the appropriate flame-retardant materials for compliance to California Technical Bulletin 133. Add "FR" to end of model number.
 Model=Polypropylene
 Added Lead Time=none
 Added List Price=\$32

SPECIAL SERVICES

Special Carton Marking

With specially marked information N/C

Shipping
 Ships **partially assembled, FOB Green Bay, WI 54302, freight prepaid.** Freight class 125.

Specifications and prices are subject to change without prior notice.

Intellect Wave® Classroom Furniture (Delivered)

4-Leg Chair



Intellect Wave® Classroom Furniture (Delivered)

4-Leg Chair

Features	MODEL NUMBER						Approx. Packaged Weight	Delivered Pricing	Delivered Pricing Fabric Grade 1 & C.O.M.	Delivered Pricing Fabric Grade 2	Delivered Pricing Fabric Grade 3	Delivered Pricing C.O.V.	Delivered Pricing Vinyl Group 2V	Delivered Pricing Pallas Fabric Group P0	Delivered Pricing Pallas Fabric Group P1	Delivered Pricing Pallas Fabric Group P2	Delivered Pricing Pallas Fabric Group P3	Delivered Pricing Pallas Fabric Group P4	Chrome Upcharge add to list price
	Basic Model	Frame Color	Shell Color	Glide Option	Package Code	Upholstery Color													
Extra Small Polypropylene	IW410	<input type="checkbox"/>	<input type="checkbox"/>	<input type="checkbox"/>	CTN		14.0#	\$ 158											\$ 15
Small Polypropylene	IW413	<input type="checkbox"/>	<input type="checkbox"/>	<input type="checkbox"/>	CTN		15.0#	160											15
Medium Polypropylene	IW415	<input type="checkbox"/>	<input type="checkbox"/>	<input type="checkbox"/>	CTN		16.0#	162											15
Large Polypropylene	IW418	<input type="checkbox"/>	<input type="checkbox"/>	<input type="checkbox"/>	<input type="checkbox"/>		17.0#	162											15
IW4 4-Leg Chair																			
• Stacking - unupholstered only																			
Large Polypropylene	IW418BR	<input type="checkbox"/>	<input type="checkbox"/>	<input type="checkbox"/>	CTN		20.0#	\$ 216											\$ 15
IW4 4-Leg Chair with Book Rack																			
• Chrome book rack • Assembled only																			
Large Upholstered Seat	IW418U/S	<input type="checkbox"/>	<input type="checkbox"/>	<input type="checkbox"/>	CTN	<input type="checkbox"/>	18.0#	N/A	\$ 245	\$ 253	\$ 267	\$ 245	\$ 267	\$ 255	\$ 314	\$ 333	\$ 357	\$ 377	\$ 15
Large Upholstered Seat with Book Rack	IW418BRU/S	<input type="checkbox"/>	<input type="checkbox"/>	<input type="checkbox"/>	CTN	<input type="checkbox"/>	21.0#	N/A	318	324	345	318	345	325	394	415	446	469	15
IW4U Upholstered Seat 4-Leg Chair																			
• Optional chrome book rack • Assembled only																			

A **B** **C** **D** **E** **F**

HOW TO ORDER

- Indicate the following information on order form:
- Quantity of each item.
 - Model number, including options. See "How To Build a Model Number".
 - Any special service required.

Note: • The indicates that a choice is required.

- The absence of the indicates that no choice is required.
- Alpha-numeric characters in place of indicate that no other alternatives are available.

HOW TO BUILD A MODEL NUMBER

- A** Select basic model.
- B** Select frame color. Refer to the **Product Color Options** page in this price list.
See pricing column for Chrome upcharge.
- C** select shell color. Refer to the **Product Color Options** page in this price list.
- D** Select glide option.

NG	- Nylon glides
SG	- Steel glides
SF	- Felt Solo Glide; add \$3
- E** Select packaging code.

CTN	- Cartoned; add \$8
RCK	- Racked

 Cartoned upcharges: (Do not add if CTN is only option.)

F Select upholstery grade/color. Refer to ki.com/fabrics

UPHOLSTERY INFORMATION

C.O.M. Upholstery
 C.O.M. requirement is 5/8 yard per chair for seat only and 1 yard per chair for seat and back of 54" wide non-directional fabric. For complete information on ordering C.O.M. see "Ordering C.O.M., C.O.V. and C.O.L." section.

OPTIONS

California TB133 Fire Safety Code
 The above seating products can be manufactured using the appropriate flame-retardant materials for compliance to California Technical Bulletin 133. Add "FR" to end of model number.
 Model=Polypropylene
 Added Lead Time=none
 Added List Price=\$32
 Model=Upholstered Seat Only
 Added Lead Time=none
 Added List Price=\$98

INFORMATION

Cartoning Information
 Uncartoned shipments are standard for single order quantities of 24 or more units shipped via KI carrier. Specify RCK.

Cartoning Available
 Specify CTN. Cartoning is required for single orders of less than 24 units or orders sent via air freight or UPS. Dealer requested carriers may also require cartoning.

SPECIAL SERVICES

Special Carton Marking
 With specially marked information N/C

Shipping
 Ships assembled, FOB Green Bay, WI 54302, freight prepaid. Freight class 125.

Specifications and prices are subject to change without prior notice.

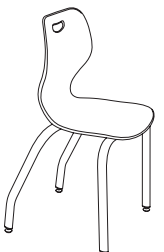

Intellect Wave® Classroom Furniture (Delivered)

Music Chair



Intellect Wave® Classroom Furniture (Delivered)

Music Chair

Features	MODEL NUMBER						Approx. Packaged Weight	Delivered Pricing	Delivered Pricing Fabric Grade 1 & C.O.M.	Delivered Pricing Fabric Grade 2	Delivered Pricing Fabric Grade 3	Delivered Pricing Vinyl Group 2V	Delivered Pricing Pallas Fabric Group P0	Delivered Pricing Pallas Fabric Group P1	Delivered Pricing Pallas Fabric Group P2	Delivered Pricing Pallas Fabric Group P3	Delivered Pricing Pallas Fabric Group P4	Chrome Upcharge add to list price
	Basic Model	Frame Color	Shell Color	Glide Option	Package Code	Upholstery Color												
Medium Polypropylene	IWMC16	<input type="checkbox"/>	<input type="checkbox"/>	<input type="checkbox"/>	CTN		17.0#	\$ 214										\$ 15
Large Polypropylene	IWMC19	<input type="checkbox"/>	<input type="checkbox"/>	<input type="checkbox"/>	CTN		18.0#	225										15
Large Polypropylene with Book Rack	IWMC19BR	<input type="checkbox"/>	<input type="checkbox"/>	<input type="checkbox"/>	CTN		21.0#	282										15
 <p>IWMC Music Chair</p> <ul style="list-style-type: none"> Stacking - unupholstered only Optional chrome book rack 																		
Large Upholstered Seat	IWMC19U/S	<input type="checkbox"/>	<input type="checkbox"/>	<input type="checkbox"/>	CTN	<input type="checkbox"/>	19.0#	N/A	\$ 296	\$ 304	\$ 322	\$ 322	\$ 305	\$ 367	\$ 389	\$ 417	\$ 437	\$ 15
Large Upholstered Seat with Book Rack	IWMC19BRU/S	<input type="checkbox"/>	<input type="checkbox"/>	<input type="checkbox"/>	CTN	<input type="checkbox"/>	22.0#	N/A	367	375	389	389	378	443	466	494	514	15
 <p>IWMCU Upholstered Seat 4-Leg Chair</p> <ul style="list-style-type: none"> Optional chrome book rack 																		
	A	B	C	D	E	F												

HOW TO ORDER

- Indicate the following information on order form:
- Quantity of each item.
 - Model number, including options. See "How To Build a Model Number".
 - Any special service required.

Note: • The indicates that a choice is required.

- The absence of the indicates that no choice is required.
- Alpha-numeric characters in place of indicate that no other alternatives are available.

HOW TO BUILD A MODEL NUMBER

- A** Select basic model.
- B** Select frame color. Refer to the **Product Color Options** page in this price list. See pricing column for Chrome upcharge.
- C** select shell color. Refer to the **Product Color Options** page in this price list.
- D** Select glide option.

NG	- Nylon glides
SG	- Steel glides
SF	- Felt Solo Glide; add \$3
- E** Select packaging code.

CTN	- Cartoned
------------	------------
- F** Select upholstery grade/color. Refer to ki.com/fabrics

UPHOLSTERY INFORMATION

C.O.M. Upholstery
 C.O.M. requirement is 5/8 yard per chair for seat only and 1 yard per chair for seat and back of 54" wide non-directional fabric. For complete information on ordering C.O.M. see "Ordering C.O.M., C.O.V. and C.O.L." section.

OPTIONS

California TB133 Fire Safety Code
 The above seating products can be manufactured using the appropriate flame-retardant materials for compliance to California Technical Bulletin 133. Add "FR" to end of model number.
 Model=Polypropylene
 Added Lead Time=none
 Added List Price=\$32
 Model=Upholstered Seat Only
 Added Lead Time=none
 Added List Price=\$98

SPECIAL SERVICES

Special Carton Marking
 With specially marked information N/C

Shipping
 Ships assembled, FOB Green Bay, WI 54302, freight prepaid. Freight class 125.

Specifications and prices are subject to change without prior notice.



Intellect Wave® Classroom Furniture (Delivered)

4-Leg Chair with Casters



Intellect Wave® Classroom Furniture (Delivered)

4-Leg Chair with Casters

MODEL	Features	MODEL NUMBER						Approx. Packaged Weight	Delivered Pricing	Delivered Pricing Fabric Grade 1 & C.O.M.	Delivered Pricing Fabric Grade 2	Delivered Pricing Fabric Grade 3	Delivered Pricing Vinyl Group 2V	Delivered Pricing Pallas Fabric Group P0	Delivered Pricing Pallas Fabric Group P1	Delivered Pricing Pallas Fabric Group P2	Delivered Pricing Pallas Fabric Group P3	Delivered Pricing Pallas Fabric Group P4	Chrome Upcharge add to list price	
		Basic Model	Frame Color	Shell Color	Base	Package Code	Upholstery Color													
 <p>4-Leg Chair with Casters</p> <ul style="list-style-type: none"> Stacking - unupholstered only Optional chrome book rack 	Medium Polypropylene	IW415C	<input type="checkbox"/>	<input type="checkbox"/>	<input type="checkbox"/>	CTN	16.0#	\$ 227											\$ 15	
	Large Polypropylene	IW418C	<input type="checkbox"/>	<input type="checkbox"/>	<input type="checkbox"/>	CTN	17.0#	238											15	
	Large Polypropylene with Book Rack	IW418CBR	<input type="checkbox"/>	<input type="checkbox"/>	<input type="checkbox"/>	CTN	20.0#	291											15	
IW4C	 <p>Upholstered Seat 4-Leg Chair with Casters</p> <ul style="list-style-type: none"> Optional chrome book rack 	Large Upholstered Seat	IW418CU/S	<input type="checkbox"/>	<input type="checkbox"/>	<input type="checkbox"/>	CTN	<input type="checkbox"/>	18.0#	N/A	\$ 311	\$ 318	\$ 329	\$ 329	\$ 319	\$ 375	\$ 395	\$ 420	\$ 436	\$ 15
Large Upholstered Seat with Book Rack		IW418CBRU/S	<input type="checkbox"/>	<input type="checkbox"/>	<input type="checkbox"/>	CTN	<input type="checkbox"/>	21.0#	N/A	371	376	391	391	378	438	455	485	503	15	
IW4CU																				

A **B** **C** **D** **E** **F**

HOW TO ORDER

- Indicate the following information on order form:
- Quantity of each item.
 - Model number, including options. See "How To Build a Model Number".
 - Any special service required.

Note:

- The indicates that a choice is required.
- The absence of the indicates that no choice is required.
- Alpha-numeric characters in place of indicate that no other alternatives are available.

HOW TO BUILD A MODEL NUMBER

- A** Select basic model.
- B** Select frame color. Refer to the **Product Color Options** page in this price list.
See pricing column for Chrome upcharge.
- C** select shell color. Refer to the **Product Color Options** page in this price list.
- D** Select base.

C	- Carpet casters
S	- Hard floor casters
- E** Select packaging code.

CTN	- Cartoned
------------	------------
- F** Select upholstery grade/color. Refer to ki.com/fabrics

UPHOLSTERY INFORMATION

C.O.M. Upholstery
C.O.M. requirement is 5/8 yard per chair for seat only and 1 yard per chair for seat and back of 54" wide non-directional fabric. For complete information on ordering C.O.M. see "Ordering C.O.M., C.O.V. and C.O.L." section.

OPTIONS

California TB133 Fire Safety Code
The above seating products can be manufactured using the appropriate flame-retardant materials for compliance to California Technical Bulletin 133. Add "FR" to end of model number.
Model=Polypropylene
Added Lead Time=none
Added List Price=\$32
Model=Upholstered Seat Only
Added Lead Time=none
Added List Price=\$98

SPECIAL SERVICES




Special Carton Marking

With specially marked information N/C

Shipping
Ships **assembled, FOB Green Bay, WI 54302, freight prepaid.** Freight class 125.

Specifications and prices are subject to change without prior notice.



MODEL	Features	MODEL NUMBER				Approx. Packaged Weight	Delivered Pricing	Delivered Pricing Fabric Grade 1 & C.O.M.	Delivered Pricing Fabric Grade 2	Delivered Pricing Fabric Grade 3	Delivered Pricing Vinyl Group 2V	Delivered Pricing Pallas Fabric Group P0	Delivered Pricing Pallas Fabric Group P1	Delivered Pricing Pallas Fabric Group P2	Delivered Pricing Pallas Fabric Group P3	Delivered Pricing Pallas Fabric Group P4
		Basic Model	Shell Color	Base	Upholstery Color											
 <p>Task Chair • Ships KD</p>	Medium Polypropylene	IWPD15	<input type="checkbox"/> <input type="checkbox"/> <input type="checkbox"/>	<input type="checkbox"/>		14.0#	\$ 288									
	Large Polypropylene	IWPD18	<input type="checkbox"/> <input type="checkbox"/> <input type="checkbox"/>	<input type="checkbox"/>		15.0#	310									
	Large Polypropylene with Arms	IWPD18A	<input type="checkbox"/> <input type="checkbox"/> <input type="checkbox"/>	<input type="checkbox"/>		21.0#	483									
IWPD																
 <p>Upholstered Seat Task Chair • Ships KD</p>	Large Upholstered Seat	IWPD18US	<input type="checkbox"/> <input type="checkbox"/> <input type="checkbox"/>	<input type="checkbox"/>	<input type="checkbox"/> <input type="checkbox"/> <input type="checkbox"/> <input type="checkbox"/> <input type="checkbox"/>	16.0#	N/A	\$ 388	\$ 392	\$ 411	\$ 411	\$ 399	\$ 455	\$ 479	\$ 505	\$ 527
	Large Upholstered Seat with Arms	IWPD18AUS	<input type="checkbox"/> <input type="checkbox"/> <input type="checkbox"/>	<input type="checkbox"/>	<input type="checkbox"/> <input type="checkbox"/> <input type="checkbox"/> <input type="checkbox"/> <input type="checkbox"/>	22.0#	N/A	562	571	585	585	574	632	653	683	701
IWPD																
 <p>Task Chair with Tilt • Ships KD</p>	Large Polypropylene	IWPD18T	<input type="checkbox"/> <input type="checkbox"/> <input type="checkbox"/>	<input type="checkbox"/>		20.0#	\$ 418									
	Large Upholstered Seat	IWPD18TUS	<input type="checkbox"/> <input type="checkbox"/> <input type="checkbox"/>	<input type="checkbox"/>	<input type="checkbox"/> <input type="checkbox"/> <input type="checkbox"/> <input type="checkbox"/> <input type="checkbox"/>	21.0#	N/A	495	503	518	518	505	563	589	612	635
IWPD																
IWPDU																
		A	B	C	D											

HOW TO ORDER

- Indicate the following information on order form:
- Quantity of each item.
 - Model number, including options. See "How To Build a Model Number".
 - Any special service required.

Note: • The indicates that a choice is required.
 • The absence of the indicates that no choice is required.
 • Alpha-numeric characters in place of indicate that no other alternatives are available.

HOW TO BUILD A MODEL NUMBER

- A** Select basic model.
- B** select shell color. Refer to the **Product Color Options** page in this price list.
- C** Select base.

G	- Glides
C	- Carpet casters
S	- Hard floor casters
- D** Select upholstery grade/color. Refer to ki.com/fabrics

UPHOLSTERY INFORMATION

C.O.M. Upholstery
 C.O.M. requirement is 5/8 yard per chair for seat only and 1 yard per chair for seat and back of 54" wide non-directional fabric. For complete information on ordering C.O.M. see "Ordering C.O.M., C.O.V. and C.O.L." section.

OPTIONS

California TB133 Fire Safety Code
 The above seating products can be manufactured using the appropriate flame-retardant materials for compliance to California Technical Bulletin 133. Add "FR" to end of model number.
 Model=Polypropylene
 Added Lead Time=none
 Added List Price=\$32
 Model=Upholstered Seat Only
 Added Lead Time=none
 Added List Price=\$98

SPECIAL SERVICES

Special Carton Marking

With specially marked information N/C

Shipping
 Ships assembled, FOB Green Bay, WI 54302, freight prepaid. Freight class 125.

Specifications and prices are subject to change without prior notice.

Intellect Wave® Classroom Furniture (Delivered)

Task Stool



Intellect Wave® Classroom Furniture (Delivered)

Task Stool

	MODEL	Features	MODEL NUMBER				Approx. Packaged Weight	Delivered Pricing	Delivered Pricing Fabric Grade 1 & C.O.M.	Delivered Pricing Fabric Grade 2	Delivered Pricing Fabric Grade 3	Delivered Pricing Vinyl Group 2V	Delivered Pricing Pallas Fabric Group P0	Delivered Pricing Pallas Fabric Group P1	Delivered Pricing Pallas Fabric Group P2	Delivered Pricing Pallas Fabric Group P3	Delivered Pricing Pallas Fabric Group P4
			Basic Model	Shell Color	Base	Upholstery Color											
IWS	Task Stool • Ships KD	Large Polypropylene	IWS	<input type="checkbox"/> <input type="checkbox"/> <input type="checkbox"/>	<input type="checkbox"/>		26.5#	\$ 365									
		Large Polypropylene with Arms	IWSA	<input type="checkbox"/> <input type="checkbox"/> <input type="checkbox"/>	<input type="checkbox"/>		32.5#	540									
IWSU	Upholstered Seat Task Stool • Ships KD	Large Upholstered Seat	IWSU/S	<input type="checkbox"/> <input type="checkbox"/> <input type="checkbox"/>	<input type="checkbox"/>	<input type="checkbox"/> <input type="checkbox"/> <input type="checkbox"/> <input type="checkbox"/> <input type="checkbox"/>	27.5#	N/A	\$ 444	\$ 449	\$ 464	\$ 464	\$ 453	\$ 514	\$ 533	\$ 558	\$ 582
		Large Upholstered Seat with Arms	IWSAU/S	<input type="checkbox"/> <input type="checkbox"/> <input type="checkbox"/>	<input type="checkbox"/>	<input type="checkbox"/> <input type="checkbox"/> <input type="checkbox"/> <input type="checkbox"/> <input type="checkbox"/>	33.5#	N/A	619	625	640	640	629	687	707	733	759

A **B** **C** **D**

HOW TO ORDER

Indicate the following information on order form:

- Quantity of each item.
- Model number, including options. See "How To Build a Model Number".
- Any special service required.

Note: • The indicates that a choice is required.

- The absence of the indicates that no choice is required.
- Alpha-numeric characters in place of indicate that no other alternatives are available.

HOW TO BUILD A MODEL NUMBER

- A** Select basic model.
- B** select shell color. Refer to the **Product Color Options** page in this price list.
- C** Select base.
- | | |
|----------|----------------------|
| G | - Glides |
| C | - Carpet casters |
| S | - Hard floor casters |
- D** Select upholstery grade/color. Refer to ki.com/fabrics

UPHOLSTERY INFORMATION

C.O.M. Upholstery

C.O.M. requirement is 5/8 yard per chair for seat only and 1 yard per chair for seat and back of 54" wide non-directional fabric. For complete information on ordering C.O.M. see "Ordering C.O.M., C.O.V. and C.O.L." section.

OPTIONS

California TB133 Fire Safety Code

The above seating products can be manufactured using the appropriate flame-retardant materials for compliance to California Technical Bulletin 133.

Add "FR" to end of model number.

Model=Polypropylene

Added Lead Time=none

Added List Price=\$32

Model=Upholstered Seat Only

Added Lead Time=none

Added List Price=\$98

SPECIAL SERVICES

Special Carton Marking



With specially marked information N/C

Shipping

Ships **assembled, FOB Green Bay, WI 54302, freight prepaid.** Freight class 125.

Specifications and prices are subject to change without prior notice.



MODEL	Features	MODEL NUMBER					Approx. Packaged Weight	Delivered Pricing	Delivered Pricing Fabric Grade 1 & C.O.M.	Delivered Pricing Fabric Grade 2	Delivered Pricing Fabric Grade 3	Delivered Pricing Vinyl Group 2V	Delivered Pricing Pallas Fabric Group P0	Delivered Pricing Pallas Fabric Group P1	Delivered Pricing Pallas Fabric Group P2	Delivered Pricing Pallas Fabric Group P3	Delivered Pricing Pallas Fabric Group P4	Chrome Upcharge add to list price
		Basic Model	Frame Color	Shell Color	Glide Option	Upholstery Color												
 24" Cafe Stool • Stacking • Seat Height 24-1/2"	Large Polypropylene	IWCS24	<input type="checkbox"/>	<input type="checkbox"/>	<input type="checkbox"/>	20.0#	\$ 412											\$ 33
	Large Upholstered Seat	IWCS24U/S	<input type="checkbox"/>	<input type="checkbox"/>	<input type="checkbox"/>	<input type="checkbox"/>	21.0#	N/A	493	502	516	516	505	566	587	616	636	33
 30" Cafe Stool • Stacking • Seat Height 30-1/2"	Large Polypropylene	IWCS30	<input type="checkbox"/>	<input type="checkbox"/>	<input type="checkbox"/>	22.0#	\$ 430											\$ 33
	Large Upholstered Seat	IWCS30U/S	<input type="checkbox"/>	<input type="checkbox"/>	<input type="checkbox"/>	<input type="checkbox"/>	23.0#	N/A	493	502	515	515	464	564	585	611	630	33

A **B** **C** **D** **E**

HOW TO ORDER

- Indicate the following information on order form:
- Quantity of each item.
 - Model number, including options. See "How To Build a Model Number".
 - Any special service required.

Note: • The indicates that a choice is required.
 • The absence of the indicates that no choice is required.
 • Alpha-numeric characters in place of indicate that no other alternatives are available.

HOW TO BUILD A MODEL NUMBER

- A** Select basic model.
- B** Select frame color. Refer to the **Product Color Options** page in this price list.
See pricing column for Chrome upcharge.
- C** select shell color. Refer to the **Product Color Options** page in this price list.
- D** Select glide option.

NG	- Nylon glides
SG	- Steel glides
SF	- Felt Solo Glide; add \$3
- E** Select upholstery grade/color. Refer to ki.com/fabrics

UPHOLSTERY INFORMATION

C.O.M. Upholstery
 C.O.M. requirement is 5/8 yard per chair for seat only and 1 yard per chair for seat and back of 54" wide non-directional fabric. For complete information on ordering C.O.M. see "Ordering C.O.M., C.O.V. and C.O.L." section.

OPTIONS

California TB133 Fire Safety Code
 The above seating products can be manufactured using the appropriate flame-retardant materials for compliance to California Technical Bulletin 133. Add "FR" to end of model number.
 Model=Polypropylene
 Added Lead Time=none
 Added List Price=\$32
 Model=Upholstered Seat Only
 Added Lead Time=none
 Added List Price=\$98

SPECIAL SERVICES

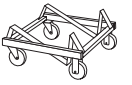
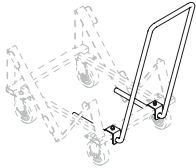
Special Carton Marking

With specially marked information N/C

Shipping
 Ships **assembled, FOB Green Bay, WI 54302, freight prepaid.** Freight class 300.

Specifications and prices are subject to change without prior notice.



MODEL	MODEL NUMBER	Approx. Packaged Weight	Delivered Pricing
	Basic Model		
 <p>Dolly</p> <ul style="list-style-type: none"> • For 18" cantilever and 18" 4-leg chairs only • Black powder coat finish 	IWD.BL	30.0#	\$ 524
 <p>Universal Dolly Handle</p> <ul style="list-style-type: none"> • Field installable • Provides convenient handle for relocating dolly when empty or loaded • Overall dolly height with handle is 37" 	UDH.BL	8.0#	\$ 199

HRDPT

HRDPT

A

HOW TO ORDER

- Indicate the following information on order form:
1. Quantity of each item.
 2. Model number, including options. See "How To Build a Model Number".
 3. Any special service required.

- Note:
- The indicates that a choice is required.
 - The absence of the indicates that no choice is required.
 - Alpha-numeric characters in place of indicate that no other alternatives are available.

HOW TO BUILD A MODEL NUMBER

- A** Select basic model.

SPECIAL SERVICES

Special Carton Marking

With specially marked information N/C

Shipping

Ships assembled, FOB Green Bay, WI 54302, freight prepaid. Freight class 150.

Specifications and prices are subject to change without prior notice.


Intellect Wave® Classroom Furniture (Delivered)

Cantilever Desk



Intellect Wave® Classroom Furniture (Delivered)

Cantilever Desk

MODEL	MODEL NUMBER										Approx. Packaged Weight	Delivered Pricing	Chrome Upcharge add to list price
	Basic Model	Book Storage Option	Poly Book Box Color	Steel Book Box Color	Frame Color	Edge Color	Surface Finish/ Hard Plastic Color	Glide Option	Top Shape	Package Code			
 <p>29" Height Hard Plastic Top Cantilever Desk</p> <ul style="list-style-type: none"> • Optional book basket • Optional book box • Optional book bag hook 	IWDCH/29	<input type="checkbox"/> <input type="checkbox"/> <input type="checkbox"/> <input type="checkbox"/>	<input type="checkbox"/> <input type="checkbox"/>	<input type="checkbox"/> <input type="checkbox"/>	<input type="checkbox"/> <input type="checkbox"/>	<input type="checkbox"/> <input type="checkbox"/>	<input type="checkbox"/> <input type="checkbox"/>	<input type="checkbox"/> <input type="checkbox"/>	<input type="checkbox"/> <input type="checkbox"/>	<input type="checkbox"/> <input type="checkbox"/>	32.0#	\$ 341	\$ 17
IWDC													
<p>29" Height Laminate Top Cantilever Desk</p> <ul style="list-style-type: none"> • Optional book basket • Optional book box • Optional book bag hook • Available only with curved front 	IWDCL/29	<input type="checkbox"/> <input type="checkbox"/> <input type="checkbox"/> <input type="checkbox"/>	<input type="checkbox"/> <input type="checkbox"/>	<input type="checkbox"/> <input type="checkbox"/>	<input type="checkbox"/> <input type="checkbox"/>	<input type="checkbox"/> <input type="checkbox"/>	<input type="checkbox"/> <input type="checkbox"/>	<input type="checkbox"/> <input type="checkbox"/>	<input type="checkbox"/> <input type="checkbox"/>	<input type="checkbox"/> <input type="checkbox"/>	32.0#	\$ 341	\$ 17
IWDC													

A B C D E F G H I J

HOW TO ORDER

- Indicate the following information on order form:
1. Quantity of each item.
 2. Model number, including options. See "How To Build a Model Number".
 3. Any special service required.

Note:

- The indicates that a choice is required.
- The absence of the indicates that no choice is required.
- Alpha-numeric characters in place of indicate that no other alternatives are available.

HOW TO BUILD A MODEL NUMBER

- A** Select basic model.
- B** Select book storage option.
- NB** - No book storage
 - BH** - Bag hooks; add \$14
 - BB** - Poly book box; add \$39
 - BR** - Book basket; add \$50
 - BBBH** - Poly book box & bag hooks; add \$55
 - BRBH** - Book basket & bag hooks; add \$65
 - SB** - Steel book box; add \$90
 - SBBH** - Steel book box and bag hooks; add \$105
- C** Select poly book box color. Refer to the **Product Color Options** page in this price list. Poly color choice only for poly book box option. If no color selected, book box will be Translucent.
- D** Select steel book box color. Refer to the **Product Color Options** page in this price list.

- Only if steel book box (SB or SBBH) storage is selected.
- E** Select frame color. Refer to the **Product Color Options** page in this price list. See pricing column for Chrome upcharge.
- F** Select edge finish. Refer to the **Product Color Options** page in this price list.
- G** Select surface finish. Refer to the **Product Color Options** page in this price list.
- H** Select glide option.
- NG** - Nylon glides
 - SG** - Steel glides
 - SF** - Felt solo glide; add \$3
- I** Select top front shape (user side).
- CFT** - Curved front top
 - SFT** - Straight front top; add \$24

- J** Select packaging code.
- CTN** - Cartoned; add \$11
 - PLT** - Pallet
- Cartoned: Add upcharge/each.

INFORMATION

Cartoning Information
Uncartoned shipments are standard for single order quantities of 24 or more units shipped via air carrier. Specify PLT.

Cartoning Available
Specify CTN. Cartoning is required for single orders of less than 24 units or orders sent via air freight or UPS. Dealer requested carriers may also require cartoning.

SPECIAL SERVICES

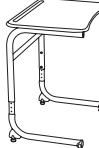
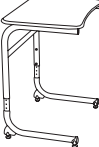
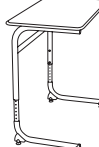
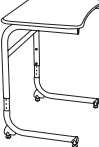
Special Carton Marking

With specially marked information N/C

Shipping
Ships assembled, FOB Green Bay, WI 54302, freight prepaid. Freight class 150.

Specifications and prices are subject to change without prior notice.



MODEL	MODEL NUMBER										Approx. Packaged Weight	Delivered Pricing	Chrome Upcharge add to list price
	Basic Model	Book Storage Option	Poly Book Box Color	Steel Book Box Color	Frame Color	Edge Color	Surface Finish/ Hard Plastic Color	Glide Option	Top Shape	Package Code			
 Adjustable Height Hard Plastic Top Cantilever Desk • Optional book basket • Optional book box • Optional book bag hook IWDC	IWDCH/A	<input type="checkbox"/>	<input type="checkbox"/>	<input type="checkbox"/>	<input type="checkbox"/>	<input type="checkbox"/>	<input type="checkbox"/>	<input type="checkbox"/>	<input type="checkbox"/>	<input type="checkbox"/>	32.0#	\$ 391	\$ 17
 Adjustable Height Laminate Top Cantilever Desk • Optional book basket • Optional book box • Optional book bag hook • Available only with curved front IWDC	IWDCL/A	<input type="checkbox"/>	<input type="checkbox"/>	<input type="checkbox"/>	<input type="checkbox"/>	<input type="checkbox"/>	<input type="checkbox"/>	<input type="checkbox"/>	<input type="checkbox"/>	<input type="checkbox"/>	32.0#	\$ 391	\$ 17
 ADA Adjustable Height Hard Plastic Top Cantilever Desk • Optional book basket • Optional book box • Optional book bag hook • Available only with straight front IWDC	IWDCH/ADA	<input type="checkbox"/>	<input type="checkbox"/>	<input type="checkbox"/>	<input type="checkbox"/>	<input type="checkbox"/>	<input type="checkbox"/>	<input type="checkbox"/>	<input type="checkbox"/>	<input type="checkbox"/>	38.0#	\$ 486	\$ 17
 ADA Adjustable Height Laminate Top Cantilever Desk • Optional book basket • Optional book box • Optional book bag hook • Available only with curved front IWDC	IWDCL/ADA	<input type="checkbox"/>	<input type="checkbox"/>	<input type="checkbox"/>	<input type="checkbox"/>	<input type="checkbox"/>	<input type="checkbox"/>	<input type="checkbox"/>	<input type="checkbox"/>	<input type="checkbox"/>	38.0#	\$ 486	\$ 17

A B C D E F G H I J

HOW TO ORDER

- Indicate the following information on order form:
- Quantity of each item.
 - Model number, including options. See "How To Build a Model Number".
 - Any special service required.

Note:

- The indicates that a choice is required.
- The absence of the indicates that no choice is required.
- Alpha-numeric characters in place of indicate that no other alternatives are available.

HOW TO BUILD A MODEL NUMBER

- A** Select basic model.
- B** Select book storage option.
 - NB** - No book storage
 - BH** - Bag hooks; add \$14
 - BB** - Poly book box; add \$39
 - BR** - Book basket; add \$50
 - BBBH** - Poly book box & bag hooks; add \$55
 - BRBH** - Book basket & bag hooks; add \$65
 - SB** - Steel book box; add \$90
 - SBBH** - Steel book box and bag hooks; add \$105
- C** Select poly book box color. Refer to the **Product Color Options** page in this price list. Poly color choice only for poly book box option. If no color selected, book box will be Translucent.
- D** Select steel book box color. Refer to the **Product Color Options** page in this price list.

- Only if steel book box (SB or SBBH) storage is selected.
- E** Select frame color. Refer to the **Product Color Options** page in this price list. See pricing column for Chrome upcharge.
- F** Select edge finish. Refer to the **Product Color Options** page in this price list.
- G** Select surface finish. Refer to the **Product Color Options** page in this price list. Standard colors: No upcharge. Premium colors: Add \$9 list; 3 week lead time.
- H** Select glide option.
 - NG** - Nylon glides
 - SG** - Steel glides
 - SF** - Felt solo glide; add \$3
- I** Select top front shape.
 - CFT** - Curved front top
 - SFT** - Straight front top; add \$24
- J** Select packaging code.
 - CTN** - Cartoned; add \$11
 - PLT** - Pallet
 Cartoned: Add upcharge/each.

INFORMATION

Cartoning Information
Uncartoned shipments are standard for single order quantities of 24 or more units shipped via KI carrier. Specify PLT.

Cartoning Available
Specify CTN. Cartoning is required for single orders of less than 24 units or orders sent via air freight or UPS. Dealer requested carriers may also require cartoning.

INFORMATION

ADA Cartoning Information
Uncartoned shipments are standard for single order quantities of 10 or more ADA units shipped via KI carrier. Specify PLT.

ADA Cartoning Available
Specify CTN. Cartoning is required for single orders of less than 10 ADA units or orders sent via air freight or UPS. Dealer requested carriers may also require cartoning.

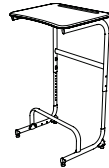
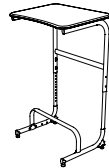
SPECIAL SERVICES

Special Carton Marking
With specially marked information N/C

Shipping
Ships assembled, FOB Green Bay, WI 54302, freight prepaid. Freight class 150.

Specifications and prices are subject to change without prior notice.



MODEL	MODEL NUMBER									Approx. Packaged Weight	Delivered Pricing	Chrome Upcharge add to list price	
	Basic Model	Book Storage Option	Poly Book Box Color	Steel Book Box Color	Frame Color	Edge Color	Surface Finish/Hard Plastic Color	Glide Option	Top Shape				
 <p>Sit/Stand Height Hard Plastic Top Cantilever Desk</p> <ul style="list-style-type: none"> Optional book basket Optional book box Optional book bag hook Height range 29"-41" Foot bar included as standard 	IWDSH	<input type="checkbox"/> <input type="checkbox"/> <input type="checkbox"/> <input type="checkbox"/>	<input type="checkbox"/> <input type="checkbox"/> <input type="checkbox"/>	<input type="checkbox"/> <input type="checkbox"/> <input type="checkbox"/>	<input type="checkbox"/>		<input type="checkbox"/> <input type="checkbox"/> <input type="checkbox"/>	<input type="checkbox"/>	<input type="checkbox"/> <input type="checkbox"/> <input type="checkbox"/>	38.0#	\$ 576	\$ 19	
 <p>Sit/Stand Height Laminate Top Cantilever Desk</p> <ul style="list-style-type: none"> Optional book basket Optional book box Optional book bag hook Available only with curved front Height range 29"-41" Foot bar included as standard 	IWDSL	<input type="checkbox"/> <input type="checkbox"/> <input type="checkbox"/> <input type="checkbox"/>	<input type="checkbox"/> <input type="checkbox"/> <input type="checkbox"/>	<input type="checkbox"/> <input type="checkbox"/> <input type="checkbox"/>	<input type="checkbox"/>	<input type="checkbox"/> <input type="checkbox"/> <input type="checkbox"/>	<input type="checkbox"/> <input type="checkbox"/> <input type="checkbox"/>	<input type="checkbox"/>	<input type="checkbox"/> <input type="checkbox"/> <input type="checkbox"/>	38.0#	\$ 576	\$ 19	
	A	B	C	D	E	F	G	H	I				

HOW TO ORDER

- Indicate the following information on order form:
- Quantity of each item.
 - Model number, including options. See "How To Build a Model Number".
 - Any special service required.

Note:

- The indicates that a choice is required.
- The absence of the indicates that no choice is required.
- Alpha-numeric characters in place of indicate that no other alternatives are available.

HOW TO BUILD A MODEL NUMBER

- A** Select basic model.
- B** Select book storage option.
 - NB** - No book storage
 - BH** - Bag hooks; add \$14
 - BB** - Poly book box; add \$39
 - BR** - Book basket; add \$50
 - BBBH** - Poly book box & bag hooks; add \$55
 - BRBH** - Book basket & bag hooks; add \$65
 - SB** - Steel book box; add \$90
 - SBBH** - Steel book box and bag hooks; add \$105
- C** Select poly book box color. Refer to the **Product Color Options** page in this price list. Poly color choice only for poly book box option. If no color selected, book box will be Translucent.
- D** Select steel book box color. Refer to the **Product Color Options** page in this price list.
- Only if steel book box (SB or SBBH) storage is selected.
- E** Select frame color. Refer to the **Product Color Options** page in this price list.
- See pricing column for Chrome upcharge.
- F** Select edge finish. Refer to the **Product Color Options** page in this price list.
- G** Select surface finish. Refer to the **Product Color Options** page in this price list.
- H** Select glide option.
 - NG** - Nylon glides
 - SG** - Steel glides
 - SF** - Felt solo glide; add \$3
- I** Select top front shape (user side).
 - CFT** - Curved front top
 - SFT** - Straight front top; add \$24

SPECIAL SERVICES

Special Carton Marking


With specially marked information N/C

Shipping

Ships assembled, FOB Green Bay, WI 54302, freight prepaid. Freight class 150.

Specifications and prices are subject to change without prior notice.



MODEL	MODEL NUMBER								Approx. Packaged Weight	Delivered Pricing	Chrome Upcharge add to list price	
	Basic Model	Book Storage Option	Frame Color	Edge Color	Surface Finish/ Hard Plastic Color	Glide Option	Top Shape	Book Box Color				
 <p>29" Height Hard Plastic Top 4-Leg Desk</p> <ul style="list-style-type: none"> • Optional book basket • Optional book box • Optional book bag hook 	IWD4FH/29	<input type="checkbox"/> <input type="checkbox"/> <input type="checkbox"/> <input type="checkbox"/>	<input type="checkbox"/>		<input type="checkbox"/> <input type="checkbox"/>	<input type="checkbox"/> <input type="checkbox"/>	<input type="checkbox"/> <input type="checkbox"/> <input type="checkbox"/>	<input type="checkbox"/> <input type="checkbox"/>	26.0#	\$ 297	\$ 19	
	IWD4F											
<p>29" Height Laminate Top 4-Leg Desk</p> <ul style="list-style-type: none"> • Optional book basket • Optional book box • Optional book bag hook • Available only with curved front 	IWD4FL/29	<input type="checkbox"/> <input type="checkbox"/> <input type="checkbox"/> <input type="checkbox"/>	<input type="checkbox"/>	<input type="checkbox"/> <input type="checkbox"/>	<input type="checkbox"/> <input type="checkbox"/>	<input type="checkbox"/> <input type="checkbox"/>		<input type="checkbox"/> <input type="checkbox"/>	26.0#	\$ 297	\$ 19	
	IWD4F											

A **B** **C** **D** **E** **F** **G** **H**

HOW TO ORDER

- Indicate the following information on order form:
1. Quantity of each item.
 2. Model number, including options. See "How To Build a Model Number".
 3. Any special service required.

Note:

- The indicates that a choice is required.
- The absence of the indicates that no choice is required.
- Alpha-numeric characters in place of indicate that no other alternatives are available.

HOW TO BUILD A MODEL NUMBER

- A** Select basic model.
- B** Select book storage option.
 - NB** - No book storage
 - BB** - Poly book box; add \$39
 - BBBH** - Poly book box & bag hooks; add \$55
 - BH** - Bag hooks; add \$14
 - BR** - Book basket; add \$50
 - BRBH** - Book basket & bag hooks; add \$65
 - SB** - Steel book box; add \$85
 - SBBH** - Steel book box and bag hooks; add \$100
- C** Select frame color. Refer to the **Product Color Options** page in this price list.

See pricing column for Chrome upcharge.
- D** Select edge finish. Refer to the **Product Color Options** page in this price list.
- E** Select surface finish. Refer to the **Product Color Options** page in this price list.
- F** Select glide option.
 - NG** - Nylon glides
 - SG** - Steel glides
 - SF** - Felt solo glide; add \$3
- G** Select top front shape (user side).
 - CFT** - Curved front top
 - SFT** - Straight front top; add \$24
- H** Select steel book box color. Refer to the **Product Color Options** page in this price list. Only if steel book box (SB or SBBH) storage is selected.





SPECIAL SERVICES

Special Carton Marking
 With specially marked information N/C

Shipping
 Ships assembled, FOB Manitowoc, WI 54220, freight prepaid. Freight class 150.

Specifications and prices are subject to change without prior notice.



MODEL	MODEL NUMBER								Approx. Packaged Weight	Delivered Pricing	Chrome Upcharge add to list price
	Basic Model	Book Storage Option	Frame Color	Edge Color	Surface Finish/ Hard Plastic Color	Glide Option	Top Shape	Book Box Color			
 Adjustable Height Hard Plastic Top 4-Leg Desk • Optional book basket • Optional book box • Optional book bag hook IWD4F	IWD4FH/A	<input type="checkbox"/> <input type="checkbox"/> <input type="checkbox"/> <input type="checkbox"/>	<input type="checkbox"/>		<input type="checkbox"/>	<input type="checkbox"/>	<input type="checkbox"/> <input type="checkbox"/> <input type="checkbox"/>	<input type="checkbox"/> <input type="checkbox"/>	26.0#	\$ 342	\$ 19
 Adjustable Height Laminate Top 4-Leg Desk • Optional book basket • Optional book box • Optional book bag hook • Available only with curved front IWD4F	IWD4FL/A	<input type="checkbox"/> <input type="checkbox"/> <input type="checkbox"/> <input type="checkbox"/>	<input type="checkbox"/>	<input type="checkbox"/> <input type="checkbox"/>	<input type="checkbox"/>	<input type="checkbox"/>		<input type="checkbox"/> <input type="checkbox"/>	26.0#	\$ 342	\$ 19
 ADA Adjustable Height Hard Plastic Top 4-Leg Desk • Optional book basket • Optional book box • Optional book bag hook • Available only with straight front IWD4F	IWD4FH/ADA	<input type="checkbox"/> <input type="checkbox"/> <input type="checkbox"/> <input type="checkbox"/>	<input type="checkbox"/>		<input type="checkbox"/>	<input type="checkbox"/>		<input type="checkbox"/> <input type="checkbox"/>	31.0#	\$ 426	\$ 19
 ADA Adjustable Height Laminate Top 4-Leg Desk • Optional book basket • Optional book box • Optional book bag hook • Available only with curved front IWD4F	IWD4FL/ADA	<input type="checkbox"/> <input type="checkbox"/> <input type="checkbox"/> <input type="checkbox"/>	<input type="checkbox"/>	<input type="checkbox"/> <input type="checkbox"/>	<input type="checkbox"/>	<input type="checkbox"/>		<input type="checkbox"/> <input type="checkbox"/>	31.0#	\$ 426	\$ 19

A **B** **C** **D** **E** **F** **G** **H**

HOW TO ORDER

- Indicate the following information on order form:
- Quantity of each item.
 - Model number, including options. See "How To Build a Model Number".
 - Any special service required.

Note: • The indicates that a choice is required.
 • The absence of the indicates that no choice is required.
 • Alpha-numeric characters in place of indicate that no other alternatives are available.

HOW TO BUILD A MODEL NUMBER

- A** Select basic model.
- B** Select book storage option.
NB - No book storage
BB - Poly book box; add \$39
BBBH - Poly book box & bag hooks; add \$55
BH - Bag hooks; add \$14
BR - Book basket; add \$50
BRBH - Book basket & bag hooks; add \$65
SB - Steel book box; add \$85
SBBH - Steel book box and bag hooks; add \$100
- C** Select frame color.
 Refer to the **Product Color Options** page in this price list.

 See pricing column for Chrome upcharge.
- D** Select edge finish.
 Refer to the **Product Color Options** page in this price list.
- E** Select surface finish.
 Refer to the **Product Color Options** page in this price list.
- F** Select glide option.
NG - Nylon glides
SG - Steel glides
SF - Felt solo glide; add \$3
- G** Select top front shape (user side).
CFT - Curved front top
SFT - Straight front top; add \$24
- H** Select steel book box color.
 Refer to the **Product Color Options** page in this price list.
 Only if steel book box (SB or SBBH) storage is selected.

SPECIAL SERVICES

Special Carton Marking

With specially marked information N/C

Shipping

Ships assembled, FOB Manitowoc, WI 54220, freight prepaid. Freight class 150.

Specifications and prices are subject to change without prior notice.

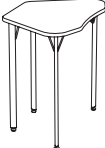
Intellect Wave® Classroom Furniture (Delivered)

Trapezoid Desk



Intellect Wave® Classroom Furniture (Delivered)

Trapezoid Desk

MODEL	MODEL NUMBER							Approx. Packaged Weight	Delivered Pricing	Chrome Upcharge add to list price
	Basic Model	Book Storage Option	Frame Color	Edge Color	Surface Finish/ Hard Plastic Color	Glide Option	Book Box Color			
 <p>29" Height Hard Plastic Top Trapezoid Desk</p> <ul style="list-style-type: none"> • Optional book basket • Optional book box • Optional book bag hook 	IWDTFH/29	<input type="checkbox"/> <input type="checkbox"/> <input type="checkbox"/> <input type="checkbox"/>	<input type="checkbox"/>		<input type="checkbox"/> <input type="checkbox"/>	<input type="checkbox"/> <input type="checkbox"/>	<input type="checkbox"/> <input type="checkbox"/>	26.0#	\$ 325	\$ 19
	IWDTF									
<p>29" Height Laminate Top Trapezoid Desk</p> <ul style="list-style-type: none"> • Optional book basket • Optional book box • Optional book bag hook 	IWDTFL/29	<input type="checkbox"/> <input type="checkbox"/> <input type="checkbox"/> <input type="checkbox"/>	<input type="checkbox"/>	<input type="checkbox"/> <input type="checkbox"/>	<input type="checkbox"/> <input type="checkbox"/>	<input type="checkbox"/> <input type="checkbox"/>	<input type="checkbox"/> <input type="checkbox"/>	26.0#	\$ 325	\$ 19
	IWDTF									
<p>Adjustable Height Hard Plastic Top Trapezoid Desk</p> <ul style="list-style-type: none"> • Optional book basket • Optional book box • Optional book bag hook 	IWDTFH/A	<input type="checkbox"/> <input type="checkbox"/> <input type="checkbox"/> <input type="checkbox"/>	<input type="checkbox"/>		<input type="checkbox"/> <input type="checkbox"/>	<input type="checkbox"/> <input type="checkbox"/>	<input type="checkbox"/> <input type="checkbox"/>	26.0#	\$ 372	\$ 19
	IWDTF									
<p>Adjustable Height Laminate Top Trapezoid Desk</p> <ul style="list-style-type: none"> • Optional book basket • Optional book box • Optional book bag hook 	IWDTFL/A	<input type="checkbox"/> <input type="checkbox"/> <input type="checkbox"/> <input type="checkbox"/>	<input type="checkbox"/>	<input type="checkbox"/> <input type="checkbox"/>	<input type="checkbox"/> <input type="checkbox"/>	<input type="checkbox"/> <input type="checkbox"/>	<input type="checkbox"/> <input type="checkbox"/>	26.0#	\$ 372	\$ 19
	IWDTF									

A **B** **C** **D** **E** **F** **G**

HOW TO ORDER

- Indicate the following information on order form:
- Quantity of each item.
 - Model number, including options. See "How To Build a Model Number".
 - Any special service required.

Note:

- The indicates that a choice is required.
- The absence of the indicates that no choice is required.
- Alpha-numeric characters in place of indicate that no other alternatives are available.

HOW TO BUILD A MODEL NUMBER

- A** Select basic model.
- B** Select book storage option.
- NB** - No book storage
 - BB** - Poly book box; add \$39
 - BBBH** - Poly book box & bag hooks; add \$55
 - BH** - Bag hooks; add \$14
 - BR** - Book basket; add \$50
 - BRBH** - Book basket & bag hooks; add \$65
 - SB** - Steel book box; add \$85
 - SBBH** - Steel book box and bag hooks; add \$100
- C** Select frame color.
Refer to the **Product Color Options** page in this price list.
- See pricing column for Chrome upcharge.
- D** Select edge finish.
Refer to the **Product Color Options** page in this price list.
- E** Select surface finish.
Refer to the **Product Color Options** page in this price list.
- F** Select glide option.
- NG** - Nylon glides
 - SG** - Steel glides
 - SF** - Felt solo glide; add \$3
- G** Select steel book box color.
Refer to the **Product Color Options** page in this price list.
Only if steel book box (SB or SBBH) storage is selected.

SPECIAL SERVICES

Special Carton Marking

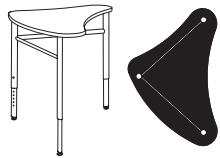

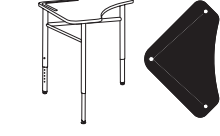
With specially marked information N/C

Shipping

Ships assembled, FOB Manitowoc, WI 54220, freight prepaid. Freight class 150.

Specifications and prices are subject to change without prior notice.



MODEL	Features	MODEL NUMBER							Approx. Packaged Weight	Delivered Pricing	Chrome Upcharge add to list price
		Basic Model	Book Storage Option	Frame Color	Edge Color	Surface Finish/ Hard Plastic Color	Glide Option	Book Box Color			
 <p>Laminated Adjustable Height Tripod Desk • Ships fully assembled</p>	Contour Top	IWD3LC/A	<input type="checkbox"/> <input type="checkbox"/> <input type="checkbox"/> <input type="checkbox"/>	<input type="checkbox"/>	<input type="checkbox"/> <input type="checkbox"/>	<input type="checkbox"/> <input type="checkbox"/>	<input type="checkbox"/>	<input type="checkbox"/>	25.0#	\$ 356	\$ 19
 <p>Laminated Adjustable Height Tripod Desk • Ships fully assembled</p>	Linear Top	IWD3LL/A	<input type="checkbox"/> <input type="checkbox"/> <input type="checkbox"/> <input type="checkbox"/>	<input type="checkbox"/>	<input type="checkbox"/> <input type="checkbox"/>	<input type="checkbox"/> <input type="checkbox"/>	<input type="checkbox"/>	<input type="checkbox"/>	25.0#	\$ 356	\$ 19
 <p>Hard Plastic Adjustable Height Tripod Desk • Ships fully assembled</p>	Linear Top	IWD3HL/A	<input type="checkbox"/> <input type="checkbox"/> <input type="checkbox"/> <input type="checkbox"/>	<input type="checkbox"/>		<input type="checkbox"/> <input type="checkbox"/>	<input type="checkbox"/>	<input type="checkbox"/>	25.0#	\$ 356	\$ 19

A B C D E F G

HOW TO ORDER

- Indicate the following information on order form:
- Quantity of each item.
 - Model number, including options. See "How To Build a Model Number".
 - Any special service required.

Note:

- The indicates that a choice is required.
- The absence of the indicates that no choice is required.
- Alpha-numeric characters in place of indicate that no other alternatives are available.

HOW TO BUILD A MODEL NUMBER

- A** Select basic model.
- B** Select book storage option.
- NB** - No book storage
 - BB** - Poly book box; add \$39
 - BBBH** - Poly book box & bag hooks; add \$55
 - BH** - Bag hooks; add \$14
 - BR** - Book basket; add \$50
 - BRBH** - Book basket & bag hooks; add \$65
 - SB** - Steel book box; add \$85
 - SBBH** - Steel book box and bag hooks; add \$100

C Select frame color.
Refer to the **Product Color Options** page in this price list.

See pricing column for Chrome upcharge.

D Select edge finish.
Refer to the **Product Color Options** page in this price list.

E Select surface finish.
Refer to the **Product Color Options** page in this price list.

F Select glide option.

- NG** - Nylon glides
- SG** - Steel glides
- SF** - Felt solo glide; add \$3

G Select steel book box color.
Refer to the **Product Color Options** page in this price list.
Only if steel book box (SB or SBBH) storage is selected.

SPECIAL SERVICES

Special Carton Marking

With specially marked information N/C

Shipping

Ships assembled, FOB Manitowoc, WI 54220, freight prepaid. Freight class 125.

Specifications and prices are subject to change without prior notice.


Intellect Wave® Classroom Furniture (Delivered)

XL Double Entry Desk



Intellect Wave® Classroom Furniture (Delivered)

XL Double Entry Desk

Features	MODEL NUMBER								Approx. Packaged Weight	Delivered Pricing	Delivered Pricing Fabric Grade 1 & C.O.M.	Delivered Pricing Fabric Grade 2	Delivered Pricing Fabric Grade 3	Delivered Pricing Vinyl Group 2V	Delivered Pricing Pallas Fabric Group P0	Delivered Pricing Pallas Fabric Group P1	Delivered Pricing Pallas Fabric Group P2	Delivered Pricing Pallas Fabric Group P3	Delivered Pricing Pallas Fabric Group P4	
	Basic Model	Book Storage Option	Frame Color	Shell Color	Edge Color	Surface Finish/ Hard Plastic Color	Glide Option	Upholstery Color												
 Polypropylene	IWXDH	<input type="checkbox"/>	<input type="checkbox"/>	<input type="checkbox"/>	<input type="checkbox"/>	<input type="checkbox"/>	<input type="checkbox"/>	<input type="checkbox"/>	42.0#	\$ 581										
Polypropylene with Book Rack	IWXDHBR	<input type="checkbox"/>	<input type="checkbox"/>	<input type="checkbox"/>	<input type="checkbox"/>	<input type="checkbox"/>	<input type="checkbox"/>	<input type="checkbox"/>	44.0#	615										
Upholstered Seat	IWXDHU/S	<input type="checkbox"/>	<input type="checkbox"/>	<input type="checkbox"/>	<input type="checkbox"/>	<input type="checkbox"/>	<input type="checkbox"/>	<input type="checkbox"/>	43.0#	N/A	663	670	684	684	672	734	755	784	804	
Upholstered Seat with Book Rack	IWXDHBRU/S	<input type="checkbox"/>	<input type="checkbox"/>	<input type="checkbox"/>	<input type="checkbox"/>	<input type="checkbox"/>	<input type="checkbox"/>	<input type="checkbox"/>	45.0#	N/A	696	704	719	719	705	766	789	815	839	
Hard Plastic Top XL Double Entry Desk																				
<ul style="list-style-type: none"> Optional chrome book rack Optional book bag hook 30" worksurface height 																				
 Polypropylene	IWXDL	<input type="checkbox"/>	<input type="checkbox"/>	<input type="checkbox"/>	<input type="checkbox"/>	<input type="checkbox"/>	<input type="checkbox"/>	<input type="checkbox"/>	42.0#	\$ 581										
Polypropylene with Book Rack	IWXDLBR	<input type="checkbox"/>	<input type="checkbox"/>	<input type="checkbox"/>	<input type="checkbox"/>	<input type="checkbox"/>	<input type="checkbox"/>	<input type="checkbox"/>	44.0#	615										
Upholstered Seat	IWXDLU/S	<input type="checkbox"/>	<input type="checkbox"/>	<input type="checkbox"/>	<input type="checkbox"/>	<input type="checkbox"/>	<input type="checkbox"/>	<input type="checkbox"/>	43.0#	N/A	663	670	684	684	672	734	755	784	804	
Upholstered Seat with Book Rack	IWXDLBRU/S	<input type="checkbox"/>	<input type="checkbox"/>	<input type="checkbox"/>	<input type="checkbox"/>	<input type="checkbox"/>	<input type="checkbox"/>	<input type="checkbox"/>	45.0#	N/A	696	704	719	719	705	766	789	815	839	
Laminate Top XL Double Entry Desk																				
<ul style="list-style-type: none"> Optional chrome book rack Optional book bag hook 30" worksurface height 																				
	A	B	C	D	E	F	G	H												

HOW TO ORDER

- Indicate the following information on order form:
- Quantity of each item.
 - Model number, including options. See "How To Build a Model Number".
 - Any special service required.

Note: • The indicates that a choice is required.
 • The absence of the indicates that no choice is required.
 • Alpha-numeric characters in place of indicate that no other alternatives are available.

HOW TO BUILD A MODEL NUMBER

- A** Select basic model.
- B** Select book storage option.
 NB - No book bag hook
 BH - Bag hooks; add \$14
- C** Select frame color.
 Refer to the **Product Color Options** page in this price list.
- D** Select shell color.
 Refer to the **Product Color Options** page in this price list.
- E** Select edge finish.
 Refer to the **Product Color Options** page in this price list.
- F** Select surface finish.
 Refer to the **Product Color Options** page in this price list.
- G** Select glide option.

- NG - Nylon glides
- SG - Steel glides
- SF - Felt solo glide; add \$3

H Select upholstery grade/color.
 Refer to ki.com/fabrics

UPHOLSTERY INFORMATION

C.O.M. Upholstery
 C.O.M. requirement is 5/8 yard per chair for seat only and 1 yard per chair for seat and back of 54" wide non-directional fabric. For complete information on ordering C.O.M. see "Ordering C.O.M., C.O.V. and C.O.L." section.

OPTIONS

California TB133 Fire Safety Code
 The above seating products can be manufactured using the appropriate flame-retardant materials for compliance to California Technical Bulletin 133. Add "FR" to end of model number.
 Model=Polypropylene
 Added Lead Time=none
 Added List Price=\$32
 Model=Upholstered Seat Only
 Added Lead Time=none
 Added List Price=\$98

SPECIAL SERVICES

Special Carton Marking

With specially marked information N/C

Shipping
 Ships assembled, FOB Green Bay, WI 54302, freight prepaid. Freight class 300.

Specifications and prices are subject to change without prior notice.



1330 BELLEVUE STREET
GREEN BAY, WI 54302
800.424.2432 / KI.COM

KI is a trusted expert for furniture and wall systems around the globe.
USA | CANADA | MEXICO | UK | EUROPE | ASIA | MIDDLE EAST
© 2024 Krueger International, Inc. All Rights Reserved.