

# Assembly Instructions

## Intellect Wave® Cantilever Chair

Rocker Kit

September 2024

**Note:** Each of the four rocker halves are the same part and non-handed.

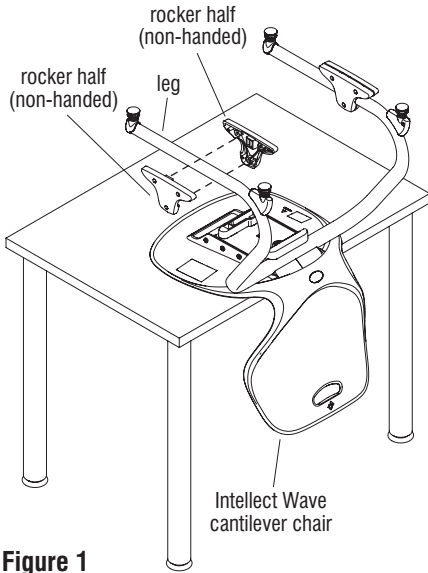


Figure 1

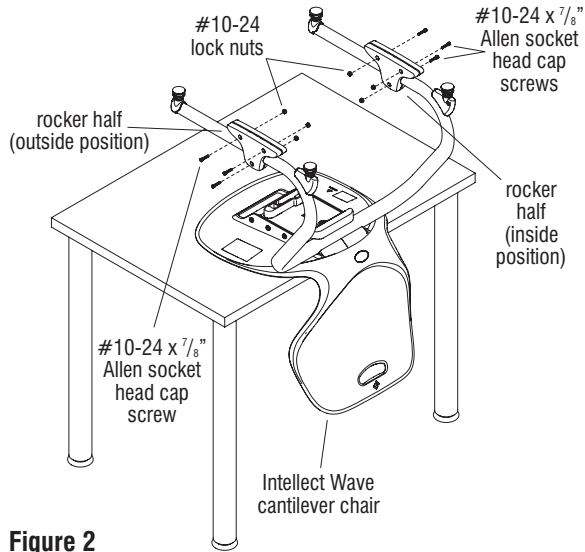
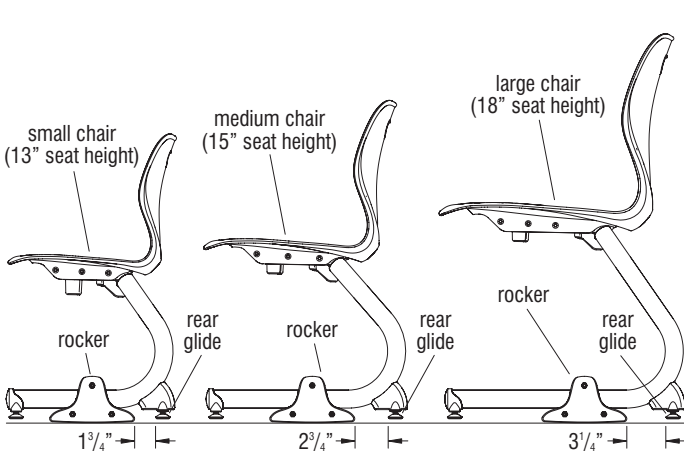
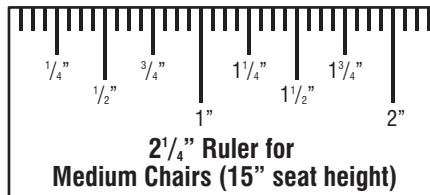
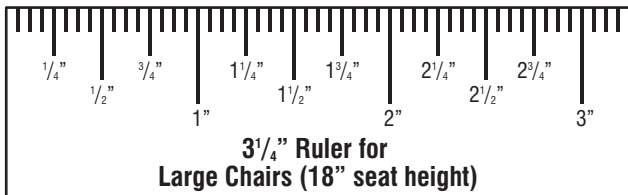
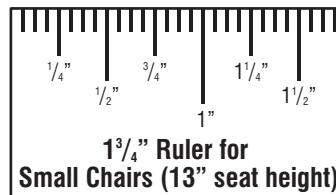


Figure 2



Detail A - Rocker Mounting Locations



**CAUTION** Assemble rocker units as described at exact specified locations along the leg herein only. To do otherwise may result in instability and cause the chair to tip over during use. All fasteners must be tightened securely and must be checked periodically after assembly. Failure to assemble properly, or to secure parts may result in assembly failure and personal injury.

### Tools Required:

- Tape Measure or Instruction's Ruler.
- $\frac{3}{32}$ " Allen Wrench.

### Rocker Kit Installation

1. Place the Intellect Wave cantilever chair upside down with the seat portion turned onto a tabletop as illustrated (Figure 1).
2. One chair leg at a time, position two rocker halves over a leg bottom as illustrated. Then, at each inside mounting location, **orient the nylon end of the #10-24 locking nut to face outward, then press-fit** into the rocker-half mounting hole location. At the outside mounting location, twist the three #10-24 x  $\frac{7}{8}$ " Allen socket head cap screws in to slightly snug using an Allen wrench. The screws should be snug enough to allow sliding of the rocker to the correct position for tightening (Figures 1 & 2).

**Important:** Rockers must be installed in a specific location along the leg for the chair to rock properly. To determine the correct location, first determine the height of the seat. If the height of the seat is:

- 13" - the distance between the back of the rocker and the front of the rear glide must be  $1\frac{3}{4}$ ".
- 15" - the distance between the back of the rocker and the front of the rear glide must be  $2\frac{1}{4}$ ".
- 18" - the distance between the back of the rocker and the front of the rear glide must be  $3\frac{1}{4}$ ".

Rulers are provided in the instructions, to help locate the exact locations of the rockers. If rockers are not installed in the correct locations, the rocking mechanism will not function properly and disassembly and reassembly will be required (Figure 2).

3. To determine the correct location for the rocker, first identify the height of the seat to receive rockers (Detail A). Then using a tape measure (or by folding along the top edge of the appropriate paper ruler printed on this instructions), measure from the front edge of the rear glide, to either  $1\frac{3}{4}$ ",  $2\frac{1}{4}$ " or  $3\frac{1}{4}$ ", (depending on the chair height) and slide each rocker so that the back of the rocker is the correct distance to the front of the rear twist-in glide (Detail A).
4. Once a rocker is positioned correctly, tighten the three #10-24 x  $\frac{7}{8}$ " Allen socket head cap screws into the lock nuts on each rocker using an Allen wrench. Do not over-tighten (Figure 2).

